

triton 450W Oscillating Spindle & Belt Sander

TSPST450

EN Operating & Safety Instructions

- NL** Bedienings- en veiligheidsvoorschriften
- FR** Instructions d'utilisation et consignes de sécurité
- DE** Gebrauchs- und Sicherheitsanweisung
- IT** Istruzioni per l'uso e la sicurezza
- ES** Instrucciones de uso y de seguridad
- PT** Instruções de Operação e Segurança
- PL** Instrukcja obsługi i bezpieczeństwa
- RU** Инструкции по эксплуатации и правила техники безопасности
- HU** Kezelési és biztonsági utasítások
- CZ** Provozní a bezpečnostní pokyny
- SK** Prevádzkové a bezpečnostné pokyny
- TR** Çalışma ve Güvenlik Talimatları

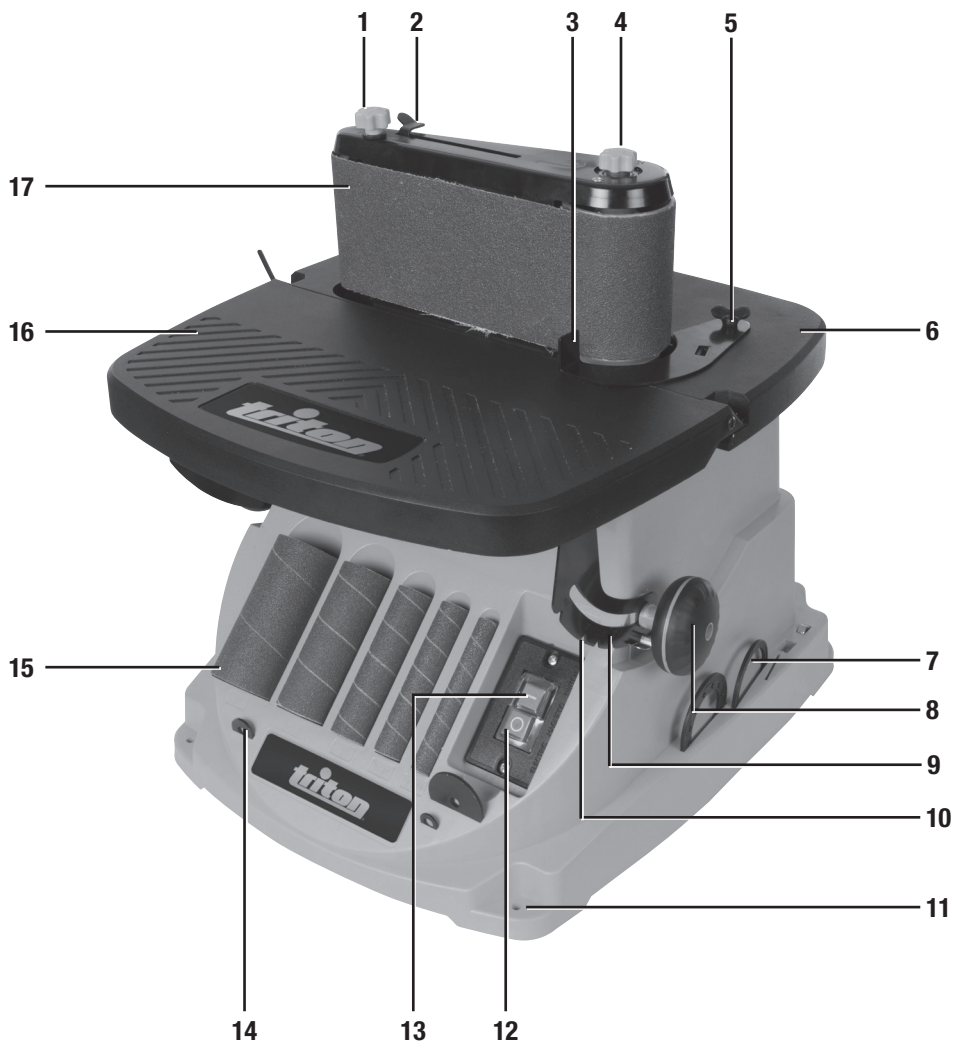


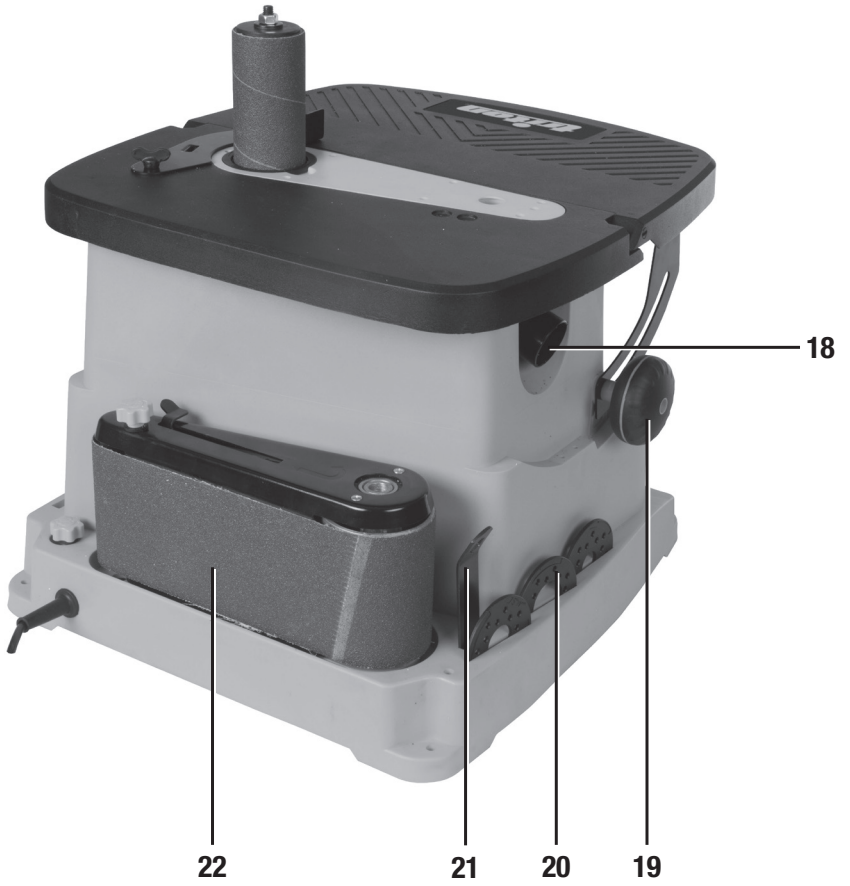
Version date: 06.11.18

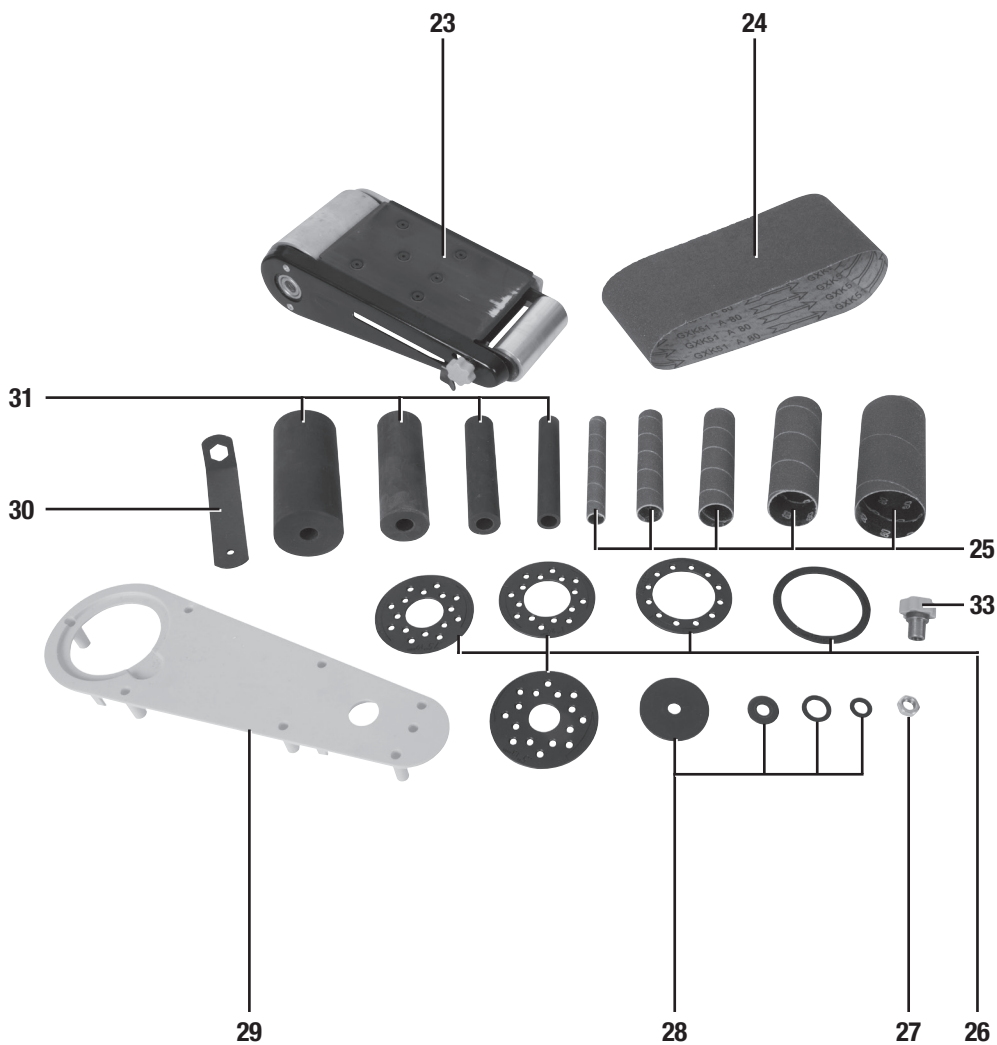
Designed
in Europe

tritonetools.com

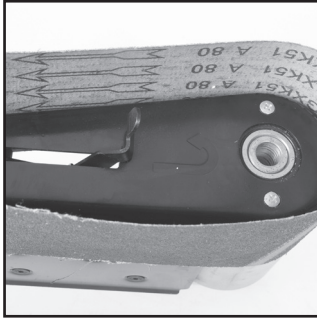
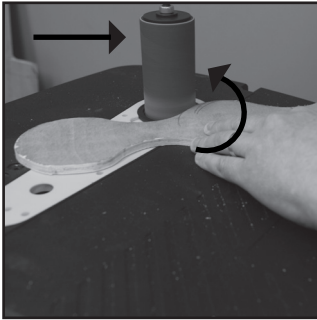
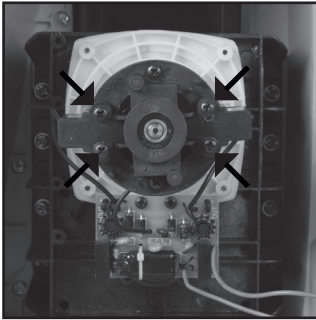
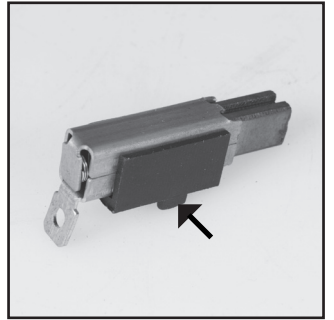
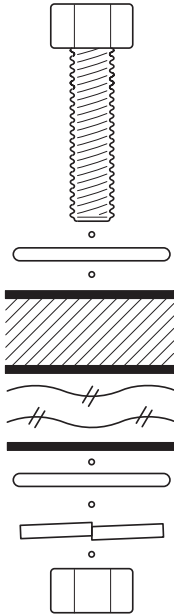
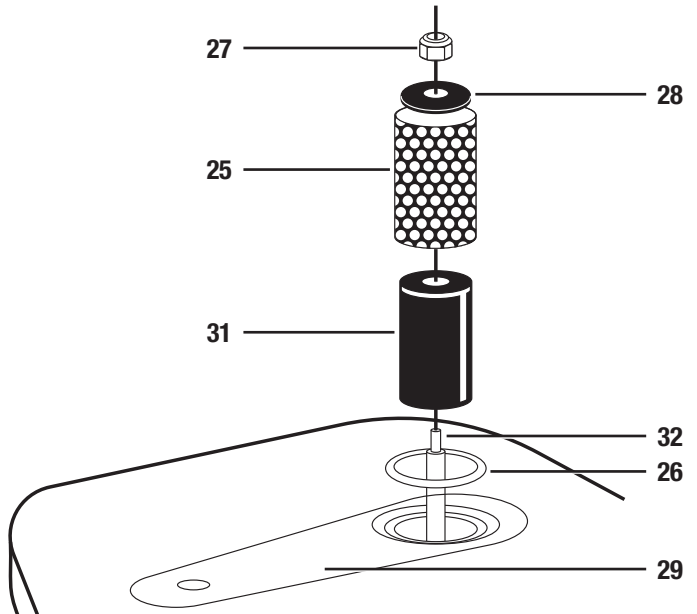








EN

A**B****C****D****E****F****I****II**

Original Instructions

Introduction

Thank you for purchasing this Triton tool. This manual contains information necessary for safe and effective operation of this product. This product has unique features and, even if you are familiar with similar products, it is necessary to read this manual carefully to ensure you fully understand the instructions. Ensure all users of the tool read and fully understand this manual.

Description of Symbols

The rating plate on your tool may show symbols. These represent important information about the product or instructions on its use.



Wear hearing protection
Wear eye protection
Wear breathing protection
Wear head protection



Wear hand protection



Read instruction manual



Caution!



For indoors use only!



Toxic fumes or gases!



Always disconnect from the power supply when adjusting, changing accessories, cleaning, carrying out maintenance and when not in use!



Dust extraction required or recommended



Class II construction (double insulated for additional protection)



Environmental Protection Waste electrical products should not be disposed of with household waste. Please recycle where facilities exist. Check with your local authority or retailer for recycling advice.



Conforms to relevant legislation and safety standards.

Technical Abbreviations Key

V	Volts
Hz	Hertz
~, AC	Alternating current
≡, DC	Direct current
A, mA	Ampere, milli-Amp
W, kW	Watt, kilowatt
n ₀	No load speed
/min or min ⁻¹	Operations per minute
n	Rated speed
rpm	Revolutions per minute
opm	Orbits or oscillations per minute
spm	Strokes per minute
°	Degrees
dB(A)	Decibel sound level (A weighted)
∅	Diameter
m/s ²	Metres per second squared (vibration magnitude)

Specification

Model no:	TSPST450
Voltage:	230V – 50Hz
Power:	450W
No load speed	(spindle): 2000min ⁻¹
	(belt): 480min ⁻¹
Oscillations:	58opm
Stroke length:	16mm
Sanding sleeve sizes:	13, 19, 26, 38, 51mm dia
Belt dimensions:	100 x 610mm
Dust port (external dia):	38mm
Table size (L x W):	430 x 410mm
Tilting Table Size (L x W):	220 x 410mm
Table Tilt:	0-45°
Table Tilt Notches:	0°, 15°, 22.5°, 30° & 45°
Spindle dimensions:	12.7mm x 1.5mm thread
Protection class:	
Ingress protection:	IP20
Dimensions (L x W x H):	390 x 330 x 450mm
Weight:	12.9kg

As part of our ongoing product development, specifications of Triton products may alter without notice.

Sound and vibration information

Sound Pressure L _{WA} :	76dB(A)
Sound Power L _{WA} :	89dB(A)
Uncertainty K:	3dB
The sound intensity level for the operator may exceed 85dB(A) and sound protection measures are necessary.	

WARNING: Always wear ear protection where the sound level exceeds 85dB(A) and limit the time of exposure if necessary. If sound levels are uncomfortable, even with ear protection, stop using the tool immediately and check the ear protection is correctly fitted and provides the correct level of sound attenuation for the level of sound produced by your tool.

WARNING: User exposure to tool vibration can result in loss of sense of touch, numbness, tingling and reduced ability to grip. Long-term exposure can lead to a chronic condition. If necessary, limit the length of time exposed to vibration and use anti-vibration gloves. Do not operate the tool with hands below a normal comfortable temperature, as vibration will have a greater effect. Use the figures provided in the specification relating to vibration to calculate the duration and frequency of operating the tool.

Sound and vibration levels in the specification are determined according to EN60745 or similar international standards. The figures represent normal use for the tool in normal working conditions. A poorly maintained, incorrectly assembled, or misused tool, may produce increased levels of noise and vibration. www.osha.europa.eu provides information on sound and vibration levels in the workplace that may be useful to domestic users who use tools for long periods of time.

General Safety Warnings of Power Tools

⚠ WARNING: Read all safety warnings, instructions, illustrations and specifications provided with this power tool. Failure to follow all instructions listed below may result in electric shock, fire and/or serious injury.

Save all warnings and instructions for future reference.

The term "power tool" in the warnings refers to your mains-operated (corded) power tool or battery-operated (cordless) power tool.

- 1) **Work area safety**
 - a) **Keep work area clean and well lit.** Cluttered or dark areas invite accidents.
 - b) **Do not operate power tools in explosive atmospheres, such as in the presence of flammable liquids, gases or dust.** Power tools create sparks which may ignite the dust or fumes.
 - c) **Keep children and bystanders away while operating a power tool.** Distractions can cause you to lose control.
- 2) **Electrical safety**
 - a) **Power tool plugs must match the outlet. Never modify the plug in any way. Do not use any adapter plugs with earthed (grounded) power tools.** Unmodified plugs and matching outlets will reduce risk of electric shock.
 - b) **Avoid body contact with earthed or grounded surfaces, such as pipes, radiators, ranges and refrigerators.** There is an increased risk of electric shock if your body is earthed or grounded.
 - c) **Do not expose power tools to rain or wet conditions.** Water entering a power tool will increase the risk of electric shock.
 - d) **Do not abuse the cord. Never use the cord for carrying, pulling or unplugging the power tool. Keep cord away from heat, oil, sharp edges or moving parts.** Damaged or entangled cords increase the risk of electric shock.
 - e) **When operating a power tool outdoors, use an extension cord suitable for outdoor use.** Use of a cord suitable for outdoor use reduces the risk of electric shock.
 - f) **If operating a power tool in a damp location is unavoidable, use a residual current device (RCD) protected supply.** Use of an RCD reduces the risk of electric shock.
- 3) **Personal safety**
 - a) **Stay alert, watch what you are doing and use common sense when operating a power tool. Do not use a power tool while you are tired or under the influence of drugs, alcohol or medication.** A moment of inattention while operating power tools may result in serious personal injury.
 - b) **Use personal protective equipment. Always wear eye protection.** Protective equipment such as a dust mask, non-skid safety shoes, hard hat or hearing protection used for appropriate conditions will reduce personal injuries.
 - c) **Prevent unintentional starting. Ensure the switch is in the OFF-position before connecting to power source and/or battery pack, picking up or carrying the tool.** Carrying power tools with your finger on the switch or energising power tools that have the switch ON invites accidents.
 - d) **Remove any adjusting key or wrench before turning the power tool ON.** A wrench or

- a) a key left attached to a rotating part of the power tool may result in personal injury.
- e) **Do not overreach. Keep proper footing and balance at all times.** This enables better control of the power tool in unexpected situations.
- f) **Dress properly. Do not wear loose clothing or jewellery. Keep your hair and clothing away from moving parts.** Loose clothes, jewellery or long hair can be caught in moving parts.
- g) **If devices are provided for the connection of dust extraction and collection facilities, ensure these are connected and properly used.** Use of dust collection can reduce dust-related hazards.
- h) **Do not let familiarity gained from frequent use of tools allow you to become complacent and ignore tool safety principles.** A careless action can cause severe injury within a fraction of a second.
- 4) **Power tool use and care**
 - a) **Do not force the power tool. Use the correct power tool for your application.** The correct power tool will do the job better and safer at the rate for which it was designed.
 - b) **Do not use the power tool if the switch does not turn it ON and OFF.** Any power tool that cannot be controlled with the switch is dangerous and must be repaired.
 - c) **Disconnect the plug from the power source and/or remove the battery pack, if detachable, from the power tool before making any adjustments, changing accessories, or storing power tools.** Such preventive safety measures reduce the risk of starting the power tool accidentally.
 - d) **Store idle power tools out of the reach of children and do not allow persons unfamiliar with the power tool or these instructions to operate the power tool.** Power tools are dangerous in the hands of untrained users.
 - e) **Maintain power tools and accessories. Check for misalignment or binding of moving parts, breakage of parts and any other condition that may affect the power tool's operation.** If damaged, have the power tool repaired before use. Many accidents are caused by poorly maintained power tools.
 - f) **Keep cutting tools sharp and clean.** Properly maintained cutting tools with sharp cutting edges are less likely to bind and are easier to control.
 - g) **Use the power tool, accessories and tool bits, etc. in accordance with these instructions, taking into account the working conditions and the work to be performed.** Use of the power tool for operations different from those intended could result in a hazardous situation.
 - h) **Keep handles and grasping surfaces dry, clean and free from oil and grease.** Slippery handles and grasping surfaces do not allow for safe handling and control of the tool in unexpected situations.
- 5) **Service**
 - a) **Have your power tool serviced by a qualified repair person using only identical replacement parts.** This will ensure that the safety of the power tool is maintained

Oscillating Spindle & Belt Sander Safety

⚠ WARNING!

- **Hold the power tool by insulated handles or gripping surfaces only, because the sanding belt/sheet may contact its own cord.** Cutting a "live" wire may make exposed metal parts of the power tool "live" and could give the operator an electric shock.
- **Recommendation that the tool always be supplied via a residual current device with a rated residual current of 30 mA or less.**
- **If the replacement of the supply cord is necessary, this has to be done by the manufacturer or his agent in order to avoid a safety hazard.**

The warnings, precautions, and instructions discussed in this manual cannot cover all possible conditions and situations that may occur. The operator must understand that common sense and caution are factors which cannot be built into this product, but must be supplied by the operator.

Do not operate the spindle sander until it is fully assembled and you have read and understood the following instructions and the warning labels on the sander.

- a) **Check the condition of the sander.** If any part is missing, bent, or does not operate properly, replace the part before using the sander.
- b) **Determine the type of work you are going to be doing before operating the sander.**
- c) **Secure your work.** Support the workpiece securely on the table, and hold it with both hands.
- d) **Be aware of the direction of feed.** Feed the workpiece into the sanding sleeve or belt against the direction of rotation of the sanding sleeve or belt.
- e) **Always keep your hands out of the path of the sander and away from the sanding sleeves or belt.** Avoid hand positions where a sudden slip could cause your hand to contact the sleeve or belt. Do not reach underneath the workpiece or around the sanding sleeve or belt while the spindle is rotating.
- f) **Disconnect the sander after turning off the power switch.** Wait for the spindle to stop rotating before performing maintenance. The sander must be disconnected when not in use or when changing throat plates, sanding sleeves, sanding belts, or other items.
- g) **Make sure there are no nails or other foreign objects in the area of the workpiece to be sanded.**

- h) **Never use this sander for wet sanding.** Failure to comply may result in electrical shock, causing serious injury or worse.
- i) **Use only identical replacement parts when servicing this sander.**
- j) **Make sure the spindle has come to a complete stop before touching the workpiece.**
- k) **Take precautions when sanding painted surfaces.** Sanding lead-based paint is **NOT RECOMMENDED**. The contaminated dust is too difficult to control, and could cause lead poisoning.

When sanding paint:

- a) **Protect your lungs.** Wear a dust mask or respirator.
- b) **Do not allow children or pregnant women in the work area until the paint sanding job is finished and the clean-up is completed**
- c) **Do not eat, drink, or smoke in an area where painted surfaces are being sanded**
- d) **Use a dust collection system when possible.** Seal the work area with plastic. Do not track paint dust outside of the work area
- e) **Thoroughly clean the area when the paint sanding project is completed**

Product Familiarisation

1. Belt Tracking Knob
2. Belt Release Lever
3. Workpiece Stop
4. Spindle Lock Knob
5. Workpiece Stop Wing Nut
6. Fixed Table
7. Throat Plate Storage
8. Table Angle Knob
9. Table Angle Gauge
10. Table Angle Notches
11. Bench Mounting Holes
12. OFF Switch
13. ON Switch
14. Washer Storage
15. Drum Storage
16. Tilting Table
17. Belt Sander
18. Dust Extraction Port
19. Table Angle Knob
20. Throat Plate Storage
21. Wrench Storage
22. Rear Storage
23. Belt Sanding Unit
24. Sanding Belt
25. Sanding Sleeves (5 sizes)
26. Throat Plates (5 sizes)
27. Spindle Nut
28. Spindle Washers
29. Table Insert
30. Wrench
31. Sleeve Drums (4 sizes)
32. Spindle
33. Spindle Knob

Intended Use

Mains-powered bench-mounted sanding machine that can be fitted with either a rotating and height oscillating sanding sleeve drum or a sanding belt unit. For sanding curved and straight surfaces on intricate as well as larger workpieces. Tilting front section table enables edge work, typically chamfering.

Before Use

⚠ WARNING: Ensure the tool is disconnected from the power supply before attaching or changing any accessories, or making any adjustments.

Bench Mounting

If the spindle sander is to be used in a permanent position, it is recommended that you secure it to a rigid work surface.

- Use the Bench Mounting Holes (11) in the base as a template to mark and drill four holes in your intended mounting surface (ie workbench). Secure the spindle sander into position using large bolts, washers and nuts (not supplied) (Figure 1)
- If the spindle sander is intended to be more portable, fix a board to the base which can be easily clamped and removed from various mounting surfaces
- If using bolts make sure they are long enough to penetrate the workbench or board sufficiently for a secure fix

Note: Use nylon insert lock nuts or spring washers in the fixings to prevent vibration from loosening the fixings.

Note: Never use bolts that require force to push through the Bench Mounting Holes as these may crack the plastic body, as will over-tightening the fixings.

Dust Extraction

It is recommended that the spindle sander is used with a dust extraction system for a cleaner and safer work environment.

1. Attach the hose from the dust extraction system to the Dust Extraction Port (18) and ensure it is secure
2. For greatest efficiency, activate the dust extraction system before turning on the spindle sander

Belt Sander Mode

1. To remove the spindle sander components, unscrew the Spindle Nut (27) using the Wrench (30) and remove the fitted Spindle Washer (28), Sleeve Drum (31), Throat Plate (26) and Table Insert (29)
2. Store the spindle sander components into the built-in storage areas of the main body; these are Washer Storage (14), Drum Storage (15), Throat Plate Storage (7 & 20) and Rear Storage (22).
3. Fit the Belt Sanding Unit (23) into the recess of the Fixed Table (6) as shown and secure in position with the Spindle Knob (33)
4. If required for operation, fit the Workpiece Stop (3) using the Workpiece Stop Wing Nut (5)
5. If no Sanding Belt (24) is fitted, move the Belt Release Lever (2) towards the Spindle Knob to allow a belt to be fitted. This is a spring-loaded mechanism under some tension so ensure movement is controlled to prevent damage
6. Fit a belt, lining it up level at the correct height on the main roller of the Belt Sanding Unit ensuring the orientation of the belt is correct (Image A) and matches the direction of the arrow
7. Move the Belt Release Lever back towards the Belt Tracking Knob (1) to secure the belt
8. Reconnect power to the tool and switch on but monitor the tracking of the belt to ensure it is correct. Switch off immediately if the tracking of the belt is incorrect and it is moving up or down on the roller

Tracking adjustment

Adjust the belt tracking using the Belt Tracking Knob. If the belt is moving slowly from its set position, make small adjustments using the Belt Tracking Knob. If the tracking is very poor each time it is switched off, use the Belt Release Lever so you can re-adjust the belt height back to the correct height before using the Belt Tracking Knob to make adjustments.

- To increase the height of the belt, turn the Belt Tracking Knob clockwise. To decrease the height of the belt, turn it anti-clockwise
- There may be an adjustment range on the Belt Tracking Knob where the belt tracks consistently. Always aim for the middle of this adjustment range for optimal centralised tracking even under load

Note: The belt will be damaged if it rubs against the surface in the recess of the Fixed Table because of incorrect tracking. It is easier to adjust the tracking that causes the belt to move upwards than downwards as going upwards will not damage the edge of the Sanding Belt. Make a large adjustment clockwise on the Belt Tracking Knob and then gradual adjustments anti-clockwise to bring the height back down.

Spindle Sander Mode

Selecting the right grade of sanding sleeve

- Sanding sleeves are available in a variety of different grades: coarse (80 grit), medium (150 grit) and fine (240 grit)
- Use a coarse grit to sand down rough finishes, medium grit to smooth the work, and fine grit to finish off
- Always use good quality sanding sleeve to maximise the quality of the finished task
- It is advisable to do a trial run on a scrap piece of material to determine the optimum grades of sanding sleeve for a particular job. If there are still marks on your work after sanding, try either going back to a coarser grade and sanding the marks out before recommencing with the original choice of grit, or try using a new piece of sanding sleeve to eliminate the unwanted marks before going on to a finer grit and finishing the job

Fitting a sanding sleeve

1. Remove the Belt Sander (17) by unscrewing and removing the Spindle Knob (33) and lifting the Belt Sander from the Fixed Table (6). Store in the Rear Storage (22)
2. Select the correct compatible parts using the throat plate chart
3. Install the components as shown (Figure II)
4. Tighten the Spindle Nut (27) using the Wrench (30) to ensure the sanding sleeve does not slip in operation. Do not over-tighten
5. If required for operation, fit the Workpiece Stop (3) using the Workpiece Stop Wing Nut (5)

Note: It is recommended to use the Spindle Nut (27). However, if frequently changing between belt sander and spindle sander modes, the Spindle Knob (33) can be used if it provides sufficient compression to hold the Sanding Sleeve. This will depend on the fit of the sleeve and drum.

IMPORTANT: Use the following chart to help determine the correct Throat Plate and Sleeve Drums to use with each Sanding Sleeve.

Throat plate chart

Sanding Sleeve (25)	Sleeve Drum (31)	Throat Plate (26)	Spindle Washer (28)
13mm	N/A	13mm	Small
19mm	Small	19mm	Medium
26mm	Medium	26mm	Medium
38mm	Large	38mm	Medium
51mm	Very Large	51mm	Large

Notes

- All the Sanding Sleeves (25), except the smallest 13mm (1/2"), fit over a matching Sleeve Drum (31).
- When the sanding sleeve is worn at the bottom only it is possible to turn it upside down and maximise its service life by using the remaining grit.
- If the sleeve rotates on the drum when switched on, the Spindle Nut (27) has not been sufficiently tightened to compress the drum and therefore grip the sleeve.
- Ensure there is no contact between the Sanding Sleeve and the Table Insert before switching the machine on.

IMPORTANT: Do not use a sanding sleeve that is too worn. This can lead to excessive heat build-up and damage the rubber drum. Damaged rubber drums due to worn sanding sleeves will not be covered under warranty.

IMPORTANT: Failure to use the correct Throat Plate (26) with its matching sanding sleeve could result in pinched fingers or the workpiece being pulled down between the Throat Plate and the sanding sleeve.

The sanding sleeve should fit snugly into the central cut-out of the Throat Plate.

Tilting the Table

The Tilting Table (16) can be tilted up to 45° this allows easy chamfering as well other edge work

1. Loosen the 2 Table Angle Knobs (8 & 19) on both sides of the table
2. Move the table to the required angle position using the Table Angle Gauge (9). There are click-stop Table Angle Notches (10) at common angle positions (0°, 15°, 22.5°, 30° & 45°)
3. Lock the 2 Table Angle Knobs to secure the table at the required position

Operation

⚠ WARNING: ALWAYS wear eye protection, adequate respiratory and hearing protection, as well as suitable gloves, when working with this tool.

⚠ WARNING: ENSURE gloves and clothes worn do not have loose threads that could get caught by the rotating spindle and drag your hand or head into the rotating spindle causing severe injury. It is recommended to wear gloves that are not fabric based.

Switching on and off

Note: Ensure there is no contact between the Sanding Sleeve and the Throat Plate or Sanding Belt and table surface before turning the machine on.

- Press in the ON Button (13) located on the front of the spindle sander
- To turn the spindle sander OFF, press in the OFF Button (12)

Sanding

WARNING: Do not sand metal with this sander. Sanding metal will cause sparks that may ignite wood and dust particles on the sander or in the workshop

Note: The spindle and belt rotate in an anti-clockwise direction

1. Check the machine is mounted securely on the workbench
 2. Wear appropriate safety equipment, including face mask and safety glasses, then switch on the dust extraction system (if available)
 3. Turn the sander ON and allow the motor to reach full speed
- IMPORTANT:** Feed the workpiece gradually, AGAINST the direction of rotation, onto the sanding sleeve (Image D) or belt. Failure to do this could force the workpiece away from the sanding sleeve or belt with risk of injury. Do not force the workpiece or apply excessive force.
4. Use the Workpiece Stop (3) when possible
 5. When finished, turn off the machine and disconnect from mains power

Accessories

- A range of accessories and consumables, including sanding sleeves and belts are available from your Triton stockist. Spare parts can be obtained from toolsparsonline.com

Maintenance

⚠ WARNING: Ensure the tool is switched off and the plug is removed from the power point before making any adjustments or carrying out maintenance.

- Any damage to this tool should be repaired and carefully inspected before use, by qualified repair technician
- Have your power tool serviced by a qualified repair technician using only identical replacement parts. This will ensure that the safety of the power tool is maintained

General Inspection

Regularly check that all the fixing screws are tight. They may vibrate loose over time.

Power Cord Maintenance

If the supply cord needs replacing, the task must be carried out by the manufacturer, the manufacturer's agent, or an authorised service centre in order to avoid a safety hazard.

Cleaning

1. Remove dust and dirt regularly. Frequently blow or vacuum dust away from all sander parts and the motor housing
2. Periodically remove the table insert and lower washer from the spindle and remove any dust accumulation in the table insert area
3. Re-lubricate all moving parts at regular intervals
4. Never use caustic agents to clean plastic parts

Do not use cleaning agents to clean the plastic parts of the tool. A mild detergent on a damp cloth is recommended. Water must never come into contact with the tool.

Brush Replacement

- Over time the carbon brushes inside the motor may become worn
 - Excessively worn brushes may cause loss of power, intermittent failure, or visible sparking
 - To replace the brushes;
1. Place the sander carefully on its side, and remove the screws that secure the base cover to allow access to the motor
 2. Carefully clean inside if there is any accumulated wood dust or chippings by the base cover
 3. Remove the 2 screws that secure the brush cover (arrowed in Image E) and remove cover
 4. Carefully remove brush assembly (Image F)
 5. Disconnect wire attached to brush assembly and remove brush
 6. Fit replacement brush and reconnect wire
 7. Replace motor brush assembly ensuring small leg is correctly in place (arrowed in Image F)
 8. Refit brush cover and refit screws
 9. Repeat these Steps 3–8 with the other brush assembly. It is important to always replace brushes in pairs.
 10. Re-install and tighten base plate.

Alternatively, have the machine serviced at an authorised service centre

Contact

For technical or repair service advice, please contact the helpline on (+44) 1935 382 222

Web: tritontools.com/en-GB/Support

Address:

Powerbox
Boundary Way
Lufton Trading Estate
Yeovil, Somerset
BA22 8HZ, United Kingdom

Storage

- Store this tool carefully in a secure, dry place out of the reach of children. If the tool is permanently set up in a workshop or garage ensure access is restricted to prevent children operating the tool.

Disposal

Always adhere to national regulations when disposing of power tools that are no longer functional and are not viable for repair.

- Do not dispose of power tools, or other waste electrical and electronic equipment (WEEE), with household waste
- Contact your local waste disposal authority for information on the correct way to dispose of power tools

Troubleshooting

Problem	Possible cause	Solution
No function when ON/OFF Switch is operated	No power	Check power supply
	Defective ON/OFF Switch	Have the ON/OFF Switch replaced at an authorised Triton service centre
Sanding Sleeve (25) does not rotate with Sleeve Drum (31)	Spindle Nut (27) not tight enough	Tighten Spindle Nut in small increments until the Sleeve Drum secures the Sanding Sleeve
Sanding Belt does not remain at same height in use	Tracking adjustment incorrect	See 'Tracking adjustment'
Large amounts of dust are being produced	Dust extractor passage is blocked	Turn off the machine at the mains. Remove the spindle sander components or belt sander unit and remove the blockage from the dust extractor passage
	Incorrect Throat Plate used	Change to the correct-sized Throat Plate
Sanding drum not operating at full speed or motor sounds different to normal	Motor over-heating	Switch OFF and allow to cool for a ½ hour
	Motor faulty	Contact an authorised Triton service centre
	Brushes need replacing	See 'Brush replacement'
	Motor belt worn or stretched	Contact an authorised Triton service centre

Guarantee

To register your guarantee visit our web site at www.tritontools.com* and enter your details.

Your details will be included on our mailing list (unless indicated otherwise) for information on future releases. Details provided will not be made available to any third party.

Purchase Record

Date of Purchase: ___/___/___

Model: TSPST450 Retain your receipt as proof of purchase

CE Declaration of Conformity

The undersigned: Mr Darrell Morris

as authorised by: Triton

Declares that: This declaration has been issued under the sole responsibility of the manufacturer. The object of the declaration is in conformity with the relevant Union harmonisation Legislation.

Identification code: TSPST450

Description: 450W Oscillating Spindle & Belt Sander

Conforms to the following directives and standards:

- Machinery Directive 2006/42/EC
- EMC Directive 2014/30/EU
- RoHS Directive 2011/65/EU
- EN 61029-1:2009+A11:2010
- EN ISO 12100:2010
- EN 55014-1:2006+A2:2011
- EN 55014-2:1997+A2:2008
- EN 61000-3-2:2014
- EN 61000-3-3:2013

Notified body: TÜV SÜD

The technical documentation is kept by: Triton

Triton Precision Power Tools guarantees to the purchaser of this product that if any part proves to be defective due to faulty materials or workmanship within 3 YEARS from the date of original purchase,

Triton will repair, or at its discretion replace, the faulty part free of charge.

This guarantee does not apply to commercial use nor does it extend to normal wear and tear or damage as a result of accident, abuse or misuse.

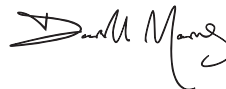
* Register online within 30 days.

Terms & conditions apply.

This does not affect your statutory rights

Date: 22/10/2018

Signed:



Mr Darrell Morris

Managing Director

Name and address of the manufacturer:

Powerbox International Limited, Company No. 06897059. Registered address: Powerbox,

Boundary Way, Lufton Trading Estate, Yeovil, Somerset, BA22 8HZ, United Kingdom.

Vertaling van de originele instructies

Introductie

Hartelijk dank voor de aanschaf van dit Triton-gereedschap. Deze instructies bevatten informatie die u nodig hebt voor een veilige en doeltreffende bediening van dit product. Dit product heeft een aantal unieke eigenschappen. Lees daarom deze handleiding altijd door, ook als u al bekend bent met bandschuurmachine, zodat u alle voordelen van dit unieke ontwerp kunt benutten.

Houd deze handleiding bij de hand en zorg ervoor dat alle gebruikers van dit gereedschap de handleiding hebben gelezen en volledig hebben begrepen.

Beschrijving symbolen

Op het gegevensplaatje van uw gereedschap kunnen zich symbolen bevinden. Deze vertegenwoordigen belangrijke productinformatie en gebruiksinstructies.



Draag gehoorbescherming
Draag een veiligheidsbril
Draag een stofmasker
Draag een veiligheidshelm



Draag handschoenen



Lees de handleiding



Voorzichtig!



Enkel geschikt voor binnen gebruik!



Giftige dampen of gassen!



Ontkoppel de machine van de stroombron voor het maken van aanpassingen, het verwisselen van accessoires, het schoonmaken, het uitvoeren van onderhoud en wanneer de machine niet in gebruik is!



Stofafvoer vereist of aanbevolen



Beschermingsklasse II (dubbel geïsoleerd voor bijkomende bescherming)



Milieubescherming Elektrische producten mogen niet met het normale huisvuil worden weggegooid. Indien de mogelijkheid bestaat, dient u het product te recyclen. Vraag de plaatselijke autoriteiten of winkelier om advies betreffende recyclen.



Voldoet aan de relevante wetgeving en veiligheidsnormen

Technische afkortingen en symbolen

V	Volt
Hz	Hertz
~, AC	Wisselstroom
≡, DC	Gelijkstroom
A, mA	Ampère, milliampère
W, kW	Watt, kilowatt
n _b	Onbelaste snelheid
/min of min ⁻¹	Operaties per minuut
n	Nominale Snelheid
rpm	Toeren per minuut
opm	Oscillaties per minuut
spm	Slagen per minuut
°	Graden
dB(A)	Decibel geluidsniveau (A-gewogen)
Ø	Diameter
m/s ²	Meters per seconde (trillingsamplitude)

Specificaties

Model nr. :	TSPST450
Spanning:	230 V~, 50/60 Hz 450 W
Vermogen:	450 W
Onbelaste snelheid (as):	2000 min ⁻¹
Band snelheid:	480 min ⁻¹
Oscillaties:	58 min ⁻¹
Slaglengte:	16 mm
Schuurkoker maten:	13, 19, 26, 38, 51 mm dia.
Band afmetingen:	100 x 610 mm
Stofpoort (externe dia.) :	38 mm
Tafel afmetingen (L x B):	430 x 410 mm
Kantelende tafel afmetingen (L x B):	220 x 410 mm
Kantelhoek:	0-45°
Kantelinkeningen:	0°, 15°, 22.5°, 30° en 45°
As afmetingen:	12,7 mm x 1,5 mm draad
Beschermingsklasse:	
Binnendringingsbescherming:	IP20
Afmetingen (L x B x H):	390 x 330 x 450 mm
Gewicht:	12,9 kg

Met het oog op onze aanhoudende productontwikkeling kunnen de specificaties van Triton producten zonder voorafgaande kennisgeving worden gewijzigd.

Geluid en trilling:

Geluidsdruk L_{pA} :	76 dB(A)
Geluidsvermogen L_{WA} :	89 dB(A)
Onzekerheid K:	3 dB
De geluidsintensiteit voor de bediener kan 85 dB(A) overschrijden een gehoorbescherming is noodzakelijk.	

WAARSCHUWING: Bij een geluidsintensiteit van 85 dB(A) of hoger is het dragen van gehoorbescherming en het beperken van de blootstellingstijd vereist. Bij oncomfortabel hoge geluidsniveaus, zelfs met het dragen van gehoorbescherming, stopt u het gebruik van de machine onmiddellijk. Controleer de pasvorm en het geluidsdempingsniveau van de bescherming, infunctie van het geluidsniveau dat door uw gereedschap geproduceerd wordt

WAARSCHUWING: Blootstelling aan trilling resulteert mogelijk in gevoelloosheid, tinteling en een verminderd greepvermogen. Langdurige blootstelling kan leiden tot chronische condities. Beperk de blootstelduur en draag anti-vibratie handschoenen. Vibratie heeft een grotere invloed op handen met een temperatuur lager dan een normale, comfortabele temperatuur. Maak gebruik van de informatie in de specificaties voor het berekenen van de gebruiksduur en frequentie van de machine.

Geluid- en trillingsniveaus in de specificatie zijn vastgesteld volgens EN60745 of een gelijksoortige internationale norm. De waarden gelden voor een normaal gebruik in normale werkomstandigheden. Een slecht onderhouden, onjuist samengestelde of onjuist gebruikte machine produceert mogelijk hogere geluids- en trillingsniveaus. www.osha.europa.eu biedt informatie met betrekking tot geluids- en trillingsniveaus op de werkplek wat mogelijk nuttig is voor regelmatige gebruikers van machines.

Algemene veiligheid voor elektrisch gereedschap

WAARSCHUWING Lees alle bediening- en veiligheidsvoorschriften. Het niet opvolgen van alle voorschriften die hieronder vermeld staan, kan resulteren in een elektrische schok, brand en/of ernstig letsel.

Bewaar deze voorschriften voor toekomstig gebruik.

De term "elektrisch gereedschap" in alle hieronder vermelde waarschuwingen heeft betrekking op uw elektrische gereedschap dat op het netwerk is aangesloten (met een snoer) of met een accu wordt gevoed (snoerloos).

1) Veiligheid in de werkruimte

- Houd de werkruimte schoon en zorg voor een goede verlichting.** Rommelige en donkere ruimtes leiden vaak tot ongelukken.
- Werk niet met elektrisch gereedschap in explosieve omgevingen, bijvoorbeeld in de aanwezigheid van ontvlambare vloeistoffen, gassen of stof.** Elektrisch gereedschap brengt vonken teweeg die stof of dampen kunnen doen ontbranden.
- Houd kinderen en omstanders uit de buurt wanneer u elektrisch gereedschap bedient.** Door afleiding kunt u de controle over het gereedschap verliezen.

2) Elektrische veiligheid

- De stekkers van het elektrische gereedschap moeten passen bij het stopcontact. Pas de stekker niet aan. Gebruik geen adapterstekkers bij geaard elektrisch gereedschap.** Het gebruik van ongevijzigde stekkers en passende stopcontacten vermindert het risico op een elektrische schok.
- Vermijd lichamelijk contact met geaarde oppervlakken zoals pijpen, radiatoren, fornuizen en koelkasten.** Het risico op een elektrische schok neemt toe als uw lichaam geaard wordt.
- Laat elektrisch gereedschap niet nat worden.** Wanneer elektrisch gereedschap nat wordt, neemt het risico op een elektrische schok toe.
- Beschadig het snoer niet.** Gebruik het snoer nooit om het elektrische gereedschap te dragen, te trekken of om de stekker uit het stopcontact te trekken. Houd het snoer uit de buurt van hitte, olie, scherpe randen of bewegende delen. Een beschadigd of in de knoop geraakt snoer verhoogt het risico op een elektrische schok.
- Wanneer u elektrisch gereedschap buiten gebruikt, maak dan gebruik van een verlengsnoer dat geschikt is voor gebruik buitenshuis.** Gebruik een verlengsnoer dat geschikt is voor gebruik buitenshuis om het risico op een elektrische schok te verminderen.
- Indien het onvermijdelijk is om elektrisch gereedschap te gebruiken in een vochtige omgeving, gebruik dan een energiebron met een aardlekschakelaar (Residual Current Device).** Het gebruik van een RCD vermindert het risico op een elektrische schok.

3) Persoonlijke veiligheid

- Blijf alert en gebruik uw gezonde verstand wanneer u elektrisch gereedschap bedient.** Gebruik het elektrische gereedschap niet wanneer u vermoeid bent of onder invloed bent van drugs, alcohol of medicijnen. Onoplettendheid tijdens het bedienen van elektrisch gereedschap kan leiden tot ernstig letsel.
- Maak gebruik van persoonlijke bescherming. Draag altijd een veiligheidsbril.** Passende bescherming voor de omstandigheden, zoals een stofmasker, niet-slippende

veiligheidsschoenen een helm of gehoorbescherming, vermindert het risico op persoonlijk letsel.

- Zorg ervoor dat het apparaat niet per ongeluk wordt gestart. Controleer of de schakelaar in de "uit"-stand staat voordat u de stekker in het stopcontact steekt.** Het dragen van elektrisch gereedschap met uw vinger op de schakelaar of het aansluiten van elektrisch gereedschap op het netwerk met de schakelaar ingeschakeld kan tot ongelukken leiden.
- Verwijder alle stel- of moersleutels voordat u het elektrische gereedschap inschakelt.** Een moer- of stelsleutel die zich op een draaiend onderdeel van het elektrische gereedschap bevindt, kan leiden tot letsel.
- Reik niet te ver. Blijf altijd stevig en in balans staan.** Zo houdt u meer controle over het elektrische gereedschap in onverwachte situaties.
- Draag geschikte kleding. Draag geen loshangende kleding of haren. Houd haren, kleding en handschoenen uit de buurt van bewegende delen.** Loshangende kleding, sieraden en los hangende haren kunnen vast komen te zitten in bewegende delen.
- Als er onderdelen voor stofafvoer- en stofverzameling worden meegeleverd, sluit deze dan aan en gebruik deze op de juiste wijze.** Het gebruik van deze onderdelen kan het risico op stof gerelateerde ongelukken verminderen.
- Laat vrouwenhoud door het veelvoudig gebruik van gereedschap u niet zelfgenoegzaam maken en neger nooit de veiligheidsprincipes.** Een roeioelze handeling kan in een fractie van een seconde een ernstige verwonding veroorzaken.
- Gebruik en onderhoud van elektrisch gereedschap**
 - Forceer elektrisch gereedschap niet. Gebruik elektrisch gereedschap dat geschikt is voor het werk dat u wilt uitvoeren.** Geschikt elektrisch gereedschap werkt beter en veiliger op een passende snelheid.
 - Gebruik het elektrische gereedschap niet als de schakelaar van het apparaat niet in- en uitschakelt.** Elektrisch gereedschap dat niet bedient kan worden met de schakelaar is gevaarlijk en moet gerepareerd worden.
 - Haal de stekker uit het stopcontact voordat u instellingen aanpast, toebehoren verwisselt of het elektrische gereedschap opbergt.** Dergelijke voorzorgsmaatregelen verminderen het risico op het per ongeluk starten van het elektrische gereedschap.
 - Berg elektrisch gereedschap dat niet in gebruik is op buiten bereik van kinderen. Laat mensen die niet bekend zijn met het elektrische gereedschap of met deze instructies het elektrische gereedschap niet bedienen.** Elektrisch gereedschap is gevaarlijk in de handen van onervaren gebruikers.
 - Onderhoud uw elektrisch gereedschap. Controleer op foutieve uittijning of het vastslaan van bewegende delen, gebroken onderdelen en elke andere afwijking die de werking van het elektrische gereedschap zou kunnen beïnvloeden.** Indien het elektrische gereedschap beschadigd is, moet u het laten repareren voordat u het weer gebruikt. Veel ongelukken worden veroorzaakt door slecht onderhouden elektrisch gereedschap.
 - Houd snijwerktuigen scherp en schoon.** Goed onderhouden snijwerktuigen met scherpe messen slaan minder snel vast en zijn gemakkelijker te bedienen.
 - Gebruik het elektrische gereedschap, de accessoires en onderdelen, etc. volgens deze instructies en volgens bestemming voor het specifieke type elektrisch gereedschap, en houd daarbij rekening met de werkomstandigheden en het uit te voeren werk.** Gebruik van elektrisch gereedschap voor werkzaamheden die verschillen van die waarvoor het apparaat bestemd is, kan leiden tot gevaarlijke situaties.
 - Zorg dat de handen en grepen droog, schoon en vrij van olie en vet zijn.** Glibberige handen en grepen zijn niet veilig te gebruiken en zorgen voor minder controle in onverwachte situaties.
 - Onderhoud**
 - Laat uw elektrische gereedschap onderhouden door een gekwalificeerde vakman en gebruik alleen identieke vervangstukken.** Zo bent u er zeker van dat de veiligheid van het elektrische gereedschap gewaarborgd blijft.

Veiligheid voor oscillerende schuurmachines

WAARSCHUWING!

- Houdt de machine bij de geïsoleerde handvaten vast voor het geval dat het schuurvel in het stroomsnoer slijdt.** Bij het snijden van het stroomsnoer komen de metalen onderdelen mogelijk onder stroom te staan, wat aanleiding kan geven tot elektrische schokken
- Het is te allen tijde aanbevolen de machine via een aardlekschakelaar met een 30 mA maximale lekstroom te gebruiken**
- Het stroomsnoer dient, wanneer nodig is, door de fabrikant of door diens vertegenwoordiger verzorgd te worden en moet mogelijk geveerd te voorkomen**

De waarschuwingen, verzorgingsmaatregelen en instructies in deze handleiding dekken niet alle situaties die zich mogelijk kunnen voordoen bij het gebruik van deze schuurmachine. Gezond verstand en oplettendheid zijn factoren die door u toegevoegd worden.

Gebruik deze schuurmachine niet voordat deze volledig gemonteerd is en u de instructies volledig heeft doorgelezen en begrippt.

- Controleer de onderdelen van de schuurmachine en vervang ontbrekende, gebogen en niet functionerende delen voordat de machine wordt gebruikt.

- b) Stel het type werk vast voor u enig schuurwerk uitvoert.
- c) Ondersteun het werkstuk door het op de tafel te plaatsen en door het met beide handen goed vast te houden.
- d) Voed het werkstuk tegen de rotatierichting van de schuurkoker of van een schuurvelin.
- e) Houd uw handen uit de buurt van de schuurzone tijdens het schuren. Voorkom handposities waarbij uw handen plotseling weg kunnen glijden wat kan leiden tot ongelukken. Reik niet onder het werkstuk of om de schuurkoker of om het schuurvel heen wanneer deze roteren.
- f) Verwijder de stekker uit het stopcontact nadat u de schuurmachine heeft uitgeschakeld. Wacht tot de schuurkoker tot stilstand is gekomen voordat u enig onderhoud uitvoert. Bij het vervangen van onderdelen hoort de stekker niet aangesloten te zijn op een stopcontact.

De schuurmachine moet van de voeding losgekoppeld zijn wanneer ze niet gebruikt wordt of wanneer keelplaten, schuurkokers of schuurvelen, of andere items vervangen worden.

- g) Zorg ervoor dat u spijkers en andere vreemde voorwerpen uit de te schuren zone van het werkstuk verwijdert voordat u begint met schuren.
- h) Gebruik deze schuurmachine niet om nat te schuren. Het niet naleven hiervan kan aanleiding geven tot elektrische schokken, ernstig letsel, of erger.
- i) Gebruik enkel identieke onderdelen voor het vervangen van de beschadigde onderdelen.
- j) Laat de schuurkoker volledig tot stilstand komen alvorens het werkstuk aan te raken. Neem voorzorgsmaatregelen bij het schuren van gevurde oppervlakken. Het schuren van oppervlakken waarop verf aanwezig is op loodbasis **IS NIET AAN TE RADEN**.

Het schuren van verfloppervlakken:

- a) **Bescherm uw longen** en draag een stofmasker of ademhalingsbescherming
- b) **Laat kinderen en zwangere vrouwen het werkgebied niet betreden tot u klaar bent met schuren en het schoonmaken is voltooid**
- c) **Eet, drink en rook niet in een omgeving waar verfloppervlakken worden geschuurd**
- d) **Gebruik wanneer mogelijk een stofafvoersysteem en sluit de werkplaats af met plastic**
- e) **Maak de ruimte goed schoon na het schuren van verfloppervlakken**

Onderdelenlijst

1. Band uitlijningsknop
2. Schuurband vrijgavehendel
3. Werkstukstop
4. As vergrendelknop
5. Werkstukstop vleugelmoer
6. Vaste tafel
7. Keelplaat opbergruimte
8. Tafel hoekknop
9. Tafel hoekschaal
10. Tafel hoekaanlagen
11. Werkbank montagegaten
12. Uit-schakelaar
13. Aan-schakelaar
14. Sluitring opbergruimte
15. Schuurkoker opberggleuven
16. Kantelende tafel
17. Bandschuurmachine
18. Stofpoort
19. Tafel-hoekknop
20. Keelplaat opbergruimte
21. Steeksleutel opbergruimte
22. Achterste opbergruimte
23. Schuurband eenheid
24. Schuurband
25. Schuurkokers (5 maten)
26. Keelplaten (5 maten)
27. As moer
28. As sluitringen
29. Tafel inzetstuk
30. Steeksleutel
31. Schuurcilinders (4 maten)
32. As
33. As knop

Gebruiksdoel

Via het net gevoede tafel-schuurmachine met roterende en hoogte-oscillerende schuurkoker eenheid en schuurband eenheid. Voor het schuren van onregelmatige vormen en vlakke oppervlakken op kleine en grote werkstukken. Kantelende tafel voor randschuren.

Het uitpakken van uw gereedschap

- Pak uw toestel / gereedschap uit. Inspecteer het en zorg dat u met alle kenmerken en functies vertrouwd raakt.
- Controleer of alle onderdelen aanwezig zijn en in goede staat verkeren. Als er onderdelen ontbreken of beschadigd zijn, zorg dan dat deze vervangen worden voordat u dit toestel / gereedschap gebruikt.

Voor gebruik

WAARSCHUWING: Ontkoppel de machine van de stroombron voordat u accessoires vervangt of aanbrengt en aanpassingen maakt aan de machine

De montage op een werkbank

Wanneer u de machine op één en dezelfde positie gebruikt is het aan te raden deze op een stevige werkbank te monteren.

- Gebruik de vier werkbank montagegaten (11) als sjabloon voor het markeren en boren van de montagegaten in de werkbank. Monteer de machine op de werkbank met behulp van lange bouten, sluitringen en moeren (niet inbegrepen) (Figuur I)
- Wanneer u de machine op verschillende plaatsen/locaties gebruikt, is het aan te raden een houten blad op de basisplaat te monteren. Het blad kan gemakkelijk gemonteerd en verwijderd worden op en van verschillende oppervlakten
- Zorg ervoor dat de bouten lang genoeg zijn voor het veilig monteren van de basisplaat of het houten blad

Let op: Gebruik nylon vergrendelmoeren of veerringen in de bevestigingsmiddelen om eventuele trillingen van losse bevestigingsmiddelen te voorkomen

Let op: Gebruik geen bouten die met kracht door de gaten gedrukt moeten worden. Deze breken de plastic behuizing mogelijk en draaien te strak vast

Stofafvoer

Het is aan te bevelen om gebruik te maken van een stofafvoersysteem voor een schonere werkomgeving en een veiliger gebruik.

1. Sluit de slang van het stofafvoersysteem aan op de stofpoort aan de achterzijde van de schuurmachine
2. Voor de grootste efficiëntie schakelt u het stofafvoersysteem in voordat u de schuurmachine inschakelt

Modus Schuurband

1. Voor het verwijderen van de oscillerende schuuronderdelen-draait u de as-moer (27) met gebruik behulp van de steeksleutel (30) los. Verwijder de sluitring (28), schuurcilinder (31), keelplaat (26) en tafel inlegplaat inzetstuk (29)
2. Berg de onderdelen in de bijpassende opbergvakken op van het hoofdlichaam; sluitring opbergruimte (14), schuurcilinder opbergruimte (15), keelplaat opbergruimte (7 en 20) en schuurband achterste opbergruimte (22)
3. Bevestig de schuurband eenheid (23) als zoals afgebeeld op aan in de inkeping van de vaste tafel (6) en vergrendel in positie met de as knop (33)
4. Bevestig de werkstukstop (3) wanneer vereist indien dat nodig is met behulp van de werkstukstop vleugelmoer (5) op de machine
5. Als er geen schuurband (24) bevestigd is, plaatst u de vrijgave hendel (2) in de richting van de as-knop zodat een schuurband bevestigd kan worden. Dit mechanisme staat onder veerdruk voor een volledige bewegingscontrole en om beschadiging aan de machine te voorkomen
6. Plaats een schuurband en lijn deze uit met de juiste hoogte op de hoofdroller van de eenheid om een juiste bevestiging te verzekeren (Afbeelding A). Zorg ervoor dat de rotatierichting overeen komt met de richting waarin de pijl wijst
7. Verplaats de vrijgavehendel terug in de richting van de uitlijningsknop (1) om de schuurband te vergrendelen
8. Sluit de machine op de stroombron aan en schakel de machine in. Als de schuurband niet juist op de eenheid roteert en omhoog of omlaag op de rol beweegt, schakelt u de machine onmiddellijk uit

Uitlijning

Verstel de schuurband met behulp van de uitlijningsknop. Als de schuurband omhoog of omlaag schuift wanneer de machine ingeschakeld is, verstelt u de uitlijning in kleine stappen. Als de band ver uit de middenpositie schuift telkens wanneer de machine uitgeschakeld wordt, ontrendt u de vrijgavehendel en plaatst u de band terug in de middenpositie alvorens de uitlijningsknop te gebruiken om aanpassing door te voeren.

- Voor het verhogen van de positie van de schuurband draait u de knop wijzerzin. Voor het verlagen van de positie van de schuurband draait u de knop in tegenwijzerzin
- Er is mogelijk wat speling waar de schuurbandpositie niet verplaatst. Zoek het middelpunt van deze speling op voor een optimale uitlijning

Let op: De band raakt beschadigd wanneer deze tegen de inkeping van de vaste tafel aan schuurt bij een onjuiste schuurband uitlijning. Het is gemakkelijker de band naar boven te verstellen, waar dit de rand van de schuurband niet beschadigt. Draai de stelknop met een grote slag in wijzerzin en maak kleine aanpassingen met kleine slagen in tegenwijzerzin voor een optimale uitlijning

Oscillerende schuurkoker

Het selecteren van de juiste korrelgrootte van schuurkoker

- Schuurkokers zijn verkrijgbaar in verschillende korrelgroottes : grof (80 korrelmaat), medium (150 korrelmaat) en fijn (240 korrelmaat)
- Gebruik een grove koker voor het schuren van ruwe oppervlakkent, medium kokers voor het glad schuren van oppervlakken en fijne kokers voor het afwerken van oppervlakken
- Gebruik altijd een goede kwaliteit schuurmateriaal voor het maximaliseren van de kwaliteit van de afwerking
- Het woord aanbevelen om eerst een proef te doen op een stuk afvalmateriaal om de optimale ruwheid van de schuurkoker markeren voor een bepaalde klus te bepalen. Als er na het schuren nog plekken op uw werkstuk aanwezig, probeert u een ruwer materiaal om dergelijke plekken weg te schuren, voordat u opnieuw met uw oorspronkelijke korrelgrootte begint. U kunt tevens nieuw schuurmateriaal proberen om de ongewenste plekken te verwijderen, voordat u de klus met fijn schuurmateriaal afmaakt

Het bevestigen van een schuurkoker

- Verwijder de bandschuurmachine (17) door het losdraaien en verwijderen van de as knop (33) en de eenheid uit de vaste tafel (6) te tillen. Berg de eenheid in de achterste opbergruimte (22) op
- Selecteer de juiste compatibele onderdelen met behulp van de keelplaat tabel
- Installeer de onderdelen zoals afgebeeld (Afbeelding G)
- Draai de as moer (27) met behulp van de steekslutel (30) vast om het verschuiven van de schuurkoker tijdens gebruik te voorkomen. Draai niet te strak vast
- Indien nodig bevestigt u de werkstukop (3) met behulp van de werkstukanslag met behulp van de werkstuk vleugelmoer (5)

Let op: Het is aan te bevelen om gebruik te maken van de as moer (27). Bij het regelmatig verwisselen van de schuurkokers gebruikt u de as knop (33), tenzij deze niet genoeg druk voorziet voor het vasthouden van de schuurkoker. Dit hangt af van de schuurkoker en de schuurcilinder

BELANGRIJK: Gebruik het volgende schema voor het selecteren van de juiste keelplaat van schuurcilinder bij elke schuurkoker

Keelplaat schema

Schuurkoker (25)	Schuurcilinder (31)	Keelplaat (26)	As sluitring (28)
13mm	N.v.t.	13mm	Klein
19mm	Klein	19mm	Middel
26mm	Middel	26mm	Middel
38mm	Groot	38mm	Middel
51mm	Zeer groot	51mm	Groot

Opmerkingen

- Alle schuurkokers (25), behalve de kleinste 13 mm koker, passen op een bijbehorende schuurcilinder (31)
- Wanneer de ene helft van de schuurkoker versleten is, kunt u deze omdraaien en de minder versleten helft gebruiken. Zo maximaliseert u de levensduur van de koker
- Wanneer de schuurkoker tijdens gebruik los op de cilinder schuift, is de as moer (27) niet strak genoeg vastgedraaid
- Zorg dat er geen contact is tussen de schuurkoker en het tafel inzetstuk voordat u de machine inschakelt

BELANGRIJK: Gebruik geen overmatig versleten kokers. Dit kan leiden tot de vorming en accumulatie van extreme hitte wat de rubberen cilinders kan beschadigen. Beschadigde rubberen cilinders, veroorzaakt door versleten schuurkokers, vallen niet onder de garantie.

BELANGRIJK: Wanneer de juiste keelplaat (26) gebruikt wordt bij de aangebrachte koker, wordt het werkstuk mogelijk onder en tussen de keelplaat en schuurkoker getrokken worden

De schuurkoker dient precies in de centrale inkeping van de keelplaat te vallen

Het kantelen van de tafel

De kantelende tafel (16) kan tot 45° gekanteld worden voor gemakkelijk randschuren

- Draai de twee hoekknoppen (8 en 19) aan beide kanten van de tafel los
- Plaats de tafel in de gewenste positie met gebruik van de hoekschaal (9). De tafel is voorzien van hoekaanslagen (10) op veelvoorkomende hoeken (0°, 15°, 22.5°, 30° en 45°)
- Draai de hoekknoppen vast om de tafel in deze positie te vergrendelen

Gebruik

WAARSCHUWING: Bij het gebruik van de machine is het dragen van de juiste beschermende uitrusting, waaronder een stofmasker, veiligheidsbril, gehoorbescherming en beschermende handschoenen aanbevolen

WAARSCHUWING: Zorg ervoor dat de handschoenen geen rafels vertonen die door de as gegrepen kunnen worden waardoor uw hand of een ander lichaamsdeel in de as kunnen trekken, wat zou kunnen kan resulteren in ernstig letsel. Het is afgeraden handschoenen op stofbasis te dragen

Het in- en uitschakelen van de machine

Let op: Zorg ervoor dat er geen contact is tussen de schuurkoker, de keelplaat of de schuurband en het tafelopervlak voordat u de machine inschakelt

- Druk de aan-schakelaar (13) aan de voorkant van de machine in
- Om de machine uit te schakelen drukt u de uit-schakelaar (12) in
- Om de oscillerende machine in te schakelen, trekt u de aan-/uitschakelaar (12) uit die bovenaan schariert
- Om de machine uit te schakelen, drukt u de aan-/uit-schakelaar in

Let op: De schakelaar is zodanig ontworpen dat deze gemakkelijk in te drukken is voor het snel uitschakelen van de machine

BELANGRIJK: Om inschakeling door kinderen te voorkomen, verwijdert u het schakelaar kinderslot (13) door dat dat uit de schakelaar te trekken. Wanneer het kinderslot verwijderd is, functioneert de aan-/uitschakelaar niet meer. Verlies het kinderslot niet

Schuren

WAARSCHUWING: Bewerk geen metaal met deze machine. De vonken daarvan kunnen stof en zaagsel op de machine en in de werkplaats doen ontbranden

Let op: De as en schuurband roteren in tegenrijzering

- Controleer of de machine juist en stevig op het tafelblad/de werkbank gemonteerd is
- Draag de juiste beschermende kleding, inclusief gezichtsmasker en veiligheidsbril voordat u de machine aan zet en schakel het stofopvang systeem in (wanneer verkrijgbaar)
- Schakel de schuurmachine in en laat de motor op volle snelheid komen
- BELANGRIJK:** Voed het werkstuk tegen de rotatie richting van de koker in (Afbeelding D). Wanneer u het werkstuk met de richting mee voedt, wordt het werkstuk mogelijk weggeslingerd, wat kan resulteren in persoonlijk letsel. Oefen geen overmatige druk uit en forceer het werkstuk niet
- Gebruik de werkstukanslag wanneer mogelijk
- Schakel de machine na het schuren uit en ontkoppel de machine van de stroombron

Accessoires

- Verschiedende accessoires en verbruiksmiddelen, waaronder schuurkokers en schuurbanden zijn verkrijgbaar bij uw Triton handelaar. Reserve onderdelen zijn verkrijgbaar op toolsparsonline.com

Onderhoud

WAARSCHUWING: Ontkoppel de machine van de stroombron voordat u de machine schoonmaakt of enig onderhoud uitvoert

- Eventuele beschadigingen aan dit gereedschap dienen gerepareerd en nauwkeurig geïnspecteerd te worden, voorafgaand aan het gebruik van een machine door een gekwalificeerd persoon
- Laat het stroom snoer enkel door gekwalificeerde personen onderhouden met gebruik van identieke vervangende onderdelen. Zo bent u verzekerd van een veilig gebruik

Algemene inspectie

- Controleer regelmatig of alle bevestigingsmiddelen nog goed vast zitten. Door trillingen kunnen ze na enige tijd los gaan zitten

Stroomsoer onderhoud

Inspecteer het stroomsoer voor elk gebruik op slijtage en beschadiging. Reparaties dienen uitgevoerd worden door de fabrikant, door de vertegenwoordiger van de fabrikant, of bij een geautoriseerd service center. Dit geldt tevens voor verlengsnoeren, gebruikt met de machine

Schoonmaak

- Verwijder vuil regelmatig. Blaas regelmatig zuivere, droge perslucht door de luchtgaten en de behuizing van de machine
 - Verwijder het tafelinzetstuk en de ring van de as regelmatig om stof en vuil te verwijderen
 - Smeer alle bewegende onderdelen regelmatig
 - Gebruik geen bijtende stoffen voor het schoonmaken van plastic onderdelen
- Maak de behuizing met een vochtige doek en een licht schoonmaakmiddel schoon. Gebruik geen alcohol, benzine of hardnekkig schoonmaakmiddel. De machine mag niet in contact komen met water

Koolstofborstels

- Na verloop van tijd zullen de koolstofborstels in de motor verslijten.
- Bij overmatige slijtage van de borstels verliest de motor mogelijk vermogen, start hij niet meer, en/ of produceert hij overmatig vonken.
- Voor het vervangen van de koolstofborstels:
 1. Leg de machine voorzichtig op de zijkant neer en verwijder schroeven van de voetkap, voor het verkrijgen van toegang tot de motor
 2. Verwijder eventueel aanwezig vuil en zaagsel
 3. Verwijder de 2 schroeven die de koolstofborstel dop op zijn in plaats houden (Afbeelding E) en verwijder de dop
 4. Verwijder het koolstofborstelgeheel voorzichtig (Afbeelding F)
 5. Ontkoppel de draad die op het koolstofborstelgeheel is aangesloten en verwijder de koolstofborstel
 6. Bevestig de nieuwe koolstofborstel en sluit de draad op het geheel aan
 7. Bevestig het koolstofborstelgeheel op de juiste wijze terug (Zie afbeelding F)
 8. Bevestig de dop en draai de schroeven vast
 9. Herhaal stappen 3-8 met het andere koolstofborstelgeheel. Het is aan te bevelen om de koolstofborstels tegelijkertijd te vervangen
 10. Bevestig de voetkap

Als alternatief laat u de borstels bij een erkend servicecenter vervangen

Contact

Voor technische ondersteuning of voor reparatieadvies, gelieve contact op te nemen met de hulplijn op (+44) 1935 382 222

Web: tritontools.com/en-GB/Support

Adres:

Powerbox
Boundary Way
Lufton Trading Estate
Yeovil, Somerset
BA22 8HZ, Verenigd Koninkrijk

Opberging

- Berg de machine op een droge en veilige plek, buiten het bereik van kinderen op. Als de machine permanent in een werkplaats opgesteld is, beperkt u toegang zodat kinderen niet met de machine kunnen spelen

Verwijdering

Bij het afdanken en afvoeren van elektrische machines neemt u de nationale voorschriften in acht.

- Elektrische en elektronische apparaten en accu's mogen niet met uw huishoudelijk afval worden afgevoerd
- Neem contact op met uw plaatselijke overheid voor informatie betreffende het afvoeren verwijdering van elektrisch gereedschap

Probleemopsporing

Probleem	Mogelijke oorzaak	Oplossing
De machine werkt niet wanneer de aan-/uit-schakelaar bediend word	Geen stroom	Controleer de stroomtoevoer
	Defecte aan-/uit-schakelaar	Laat de schakelaar bij een geautoriseerd service center vervangen
De schuurkoker (25) roteert niet samen met de cilinder (31)	As moer (27) is niet strak genoeg vast gedraaid	Draai de vergrendelmoer in stappen vast totdat de schuurkokers goed vast zit
De schuurband beweegt tijdens gebruik omhoog en/ of omlaag	Onjuiste banduitlijning	Zie: 'Schuurband uitlijning'
Er wordt een grote hoeveelheid stof geproduceerd	Stofafvoeropening is verstopt	Schakel de machine uit en ontkoppel deze van de stroombron. Verwijder de oscillerende machineonderdelen of bandeendheid en verwijder de verstopping
	Onjuist gebruikte keelplaat	Gebruik de juiste keelplaat
De schuurcilinder draait niet op volledige snelheid en/of het motorgeluid klinkt anders dan normaal	Oververhitte motor	Schakel de machine uit en laat deze gedurende een half uur afkoelen
	Foutieve motor	Neem contact op met een geautoriseerd Triton-service center
	Koolstofborstels dienen vervangen te worden	Zie: 'Koolstofborstels'
	Versleten of uitgerekte motor aandrijfriem	Neem contact op met een geautoriseerd Triton service center

Garantie

Om uw garantie te registreren, gaat u naar onze website op www.tritontools.com* en voert u uw gegevens in.

Uw gegevens worden opgeslagen in onze mailinglist (tenzij u anders aangeeft) voor informatie over nieuwe producten. De ingevulde gegevens worden aan geen enkele andere partij beschikbaar gesteld.

Aankoopgegevens

Datum van aankoop: ___/___/___

Model: TSPST450

Bewaar uw aankoopbon als aankoopbewijs rt pr

Triton Precision Power Tools garandeert de koper van dit product dat indien een

onderdeel defect is vanwege fouten in materiaal of uitvoering binnen 3 jaar na de datum van de oorspronkelijke aankoop,

Triton het defecte onderdeel gratis repareert of, naar eigen inzicht, vervangt.

Deze garantie heeft geen betrekking op commercieel gebruik en strekt zich niet uit tot normale slijtage of schade ten gevolge van een ongeluk, verkeerd gebruik of misbruik.

* Registreer online binnen 30 dagen.

Algemene voorwaarden van toepassing.

EG-verklaring van overeenstemming

De ondertekende: Mr. Darrell Morris

Gemachtigd door: Triton

Verklaart dat: Deze verklaring wordt verstrekt onder de volledige verantwoordelijkheid van de fabrikant. Het hierboven beschreven voorwerp is conform de desbetreffende communautaire harmonisatiewetgeving

Identificatienummer: TSPST450

Beschrijving: 450 W oscillerende schuurmachine en bandschuurmachine

Voldoet aan de volgende richtlijnen:

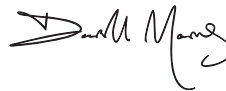
- Machinerichtlijn 2006/42/EG
- Elektromagnetische verenigbaarheid 2014/30/EU
- RoHS-richtlijn 2002/65/EG
- EN 61029-1:2009+A11:2010
- EN ISO 12100:2010
- EN 55014-1:2006+A2:2011
- EN 55014-2:1997+A2:2008
- EN 61000-3-2:2014
- EN 61000-3-3:2013

Keuringsinstantie: TÜV SÜD

De technische documentatie wordt bijgehouden door: Triton Tools

Datum: 22/10/2018

Handtekening:



Darrell Morris

Algemeen directeur

Naam en adres van fabrikant:

Powerbox International Limited, handelsregister nummer 06897059. Powerbox, Boundary Way, Lufton Trading Estate, Yeovil, Somerset BA22 8HZ, Verenigd Koninkrijk

Traduction des instructions originales

Introduction

Nous vous remercions d'avoir choisi cet équipement Triton. Ces instructions contiennent les informations nécessaires au fonctionnement efficace et sûr de ce produit. Veuillez lire attentivement ce manuel pour vous assurer de tirer pleinement avantage des caractéristiques uniques de votre nouvel équipement. Gardez ce manuel à portée de main et assurez-vous que tous les utilisateurs l'aient lu et bien compris avant toute utilisation.

Description des symboles

La plaque signalétique figurant sur votre outil peut présenter des symboles. Ces symboles constituent des informations importantes relatives au produit ou des instructions concernant son utilisation.



Port de protection auditive
Port de lunettes de sécurité
Port de masque respiratoire
Port de casque



Port de gants



Lire le manuel d'instructions



Attention !



Pour usage intérieur uniquement !



Émission de fumées ou de gaz toxiques !



Débranchez toujours l'appareil avant d'effectuer un réglage, de changer d'accessoire, de le nettoyer, de l'entretenir, ou lorsqu'il n'est plus utilisé !



Dispositif d'évacuation des poussières nécessaire ou vivement recommandé



Construction de classe II (Double isolation pour une protection supplémentaire)



Protection de l'environnement
Les produits électriques usagés ne doivent pas être jetés avec les ordures ménagères. Veuillez les recycler dans les centres prévus à cet effet. Pour de plus amples informations, veuillez contacter votre municipalité ou point de vente.



Conforme à la réglementation et aux normes de sécurité pertinentes

Abréviations pour les termes techniques

V	Volts
~, AC	Courant alternatif
A, mA	Ampère, Milliampère
n ₀	Vitesse à vide
n	Vitesse nominale
opm	Battements/oscillations par minute
spm	Coups par minute
°	Degrés
∅	Diamètre
Hz	Hertz
==, DC	Courant continu
W, kW	Watt, kilowatt
/min or min ⁻¹	Opérations par minute
rpm	Tours par minute
dB(A)	Puissance acoustique en décibel (A pondéré)
m/s ²	Mètres par seconde au carré (magnitude des vibrations)

Caractéristiques techniques

Numéro de modèle :	TSPST450
Tension :	230 V~, 50 Hz
Puissance :	450 W
Vitesse à vide	Cylindre : 2 000 tr/min Bande : 480 tr/min
Fréquence d'oscillation :	58 oscillations/min
Course d'oscillation :	16 mm (5/8")
Tailles des manchons abrasifs :	13, 19, 26, 38, 51 mm dia
Dimensions des bandes :	100 x 610 mm
Tube d'extraction des poussières (diamètre externe) :	38 mm
Dimensions du plateau (L x l) :	430 x 410 mm
Dimensions du plateau inclinable (L x l) :	220 x 410 mm
Inclinaison du plateau :	0 - 45°
Encoches correspondant aux angles d'inclinaison du plateau :	0° / 15° / 22,5° / 30° / 45°
Taille du cylindre :	12,7 mm avec pas de vis 1,5 mm
Classe de protection :	
Indice de protection :	IP20
Dimensions (L x l x H) :	390 x 330 x 450 mm
Poids :	12,9 kg
Du fait de l'évolution constante de notre développement produit, les caractéristiques des produits Triton peuvent changer sans notification préalable.	

Informations sur le niveau d'intensité sonore et vibratoire :

Pression acoustique L_{75} :	76 dB(A)
Puissance acoustique L_{wa} :	89 dB(A)
Incertitude K :	3 dB
L'intensité sonore peut dépasser 85 dB(A) et il est nécessaire que l'utilisateur prenne des mesures de protection sonore.	

⚠ AVERTISSEMENT : Portez toujours des protections auditives lorsque le niveau d'intensité est supérieur à 85 dB(A) et limitez le temps d'exposition si nécessaire. Si l'intensité sonore devient inconfortable, même avec les protections, arrêtez immédiatement d'utiliser l'appareil, vérifiez que les protections sont bien en places et adaptés avec le niveau sonore produit par l'appareil.

⚠ AVERTISSEMENT : L'exposition de l'utilisateur aux vibrations peut entraîner une perte du toucher, des engourdissements, des picotements et ainsi réduire la capacité de perception. De longues expositions peuvent également provoquer ces symptômes de façon chronique. Si nécessaire, limitez le temps d'exposition aux vibrations et portez des gants anti-vibrations. N'utilisez pas cet appareil lorsque la température de vos mains est en dessous des températures normales, car l'effet vibratoire en est accentué. Référez-vous aux chiffres indiqués dans les caractéristiques techniques des caractéristiques relatives aux vibrations pour calculer le temps et la fréquence d'utilisation de l'appareil.

Les niveaux sonores et vibratoires indiqués dans la section « Caractéristiques techniques » du présent manuel sont déterminés en fonction de normes internationales. Ces données correspondent à un usage normal de l'appareil, et ce dans des conditions de travail normales. Un appareil mal entretenu, mal assemblé ou mal utilisé peut augmenter les niveaux sonores et vibratoires. Le site www.osha.europa.eu offre de plus amples informations sur les niveaux sonores et vibratoires sur le lieu de travail, celles-ci pourront être utiles à tout particulier utilisant des outils électriques pendant des périodes prolongées.

Consignes générales de sécurité relatives à l'utilisation d'appareils électriques

⚠ AVERTISSEMENT : Veuillez lire toutes les consignes de sécurité et toutes les instructions dispensées dans le présent manuel. Le non-respect des instructions et consignes de sécurité peut entraîner un risque de décharge électrique, d'incendie et/ou se traduire par des blessures graves.

Veuillez conserver ces instructions et consignes de sécurité pour référence ultérieure.

L'expression « appareil électrique » employée dans les présentes consignes recouvre aussi bien les appareils filaires à brancher sur secteur que les appareils sans fils fonctionnant avec batterie.

1. Sécurité sur la zone de travail

- Maintenir une zone de travail propre et bien éclairée.** Des zones encombrées et mal éclairées sont sources d'accidents.
- Ne pas utiliser d'appareils électriques dans des environnements explosifs, tels qu'à proximité de liquides, de gaz ou de poussières inflammables.** Les appareils électriques produisent des étincelles susceptibles d'enflammer la poussière ou les vapeurs présents.
- Éloigner les enfants et toute personne se trouvant à proximité pendant l'utilisation d'un appareil électrique.** Ceux-ci pourraient vous distraire et vous faire perdre la maîtrise de l'appareil.

2. Sécurité électrique

- Les prises des appareils électriques doivent correspondre aux prises du secteur. Ne modifiez jamais la prise en aucune façon. N'utilisez jamais d'adaptateur avec les appareils électriques mis à la terre.** Des prises non modifiées, adaptées aux boîtiers de prise de courant, réduiront les risques de décharge électrique.
- Éviter le contact corporel avec les surfaces mises à la terre telles que tuyaux, radiateurs, cuisinières et réfrigérateurs.** Le risque de décharge électrique est plus important si votre corps est mis à la terre.
- Ne pas exposer votre appareil électrique à la pluie ou à l'humidité.** L'infiltration d'eau dans un appareil électrique augmentera le risque de décharge électrique.
- Ne pas maltraiter le cordon électrique. N'utilisez jamais le cordon électrique pour porter, tirer ou débrancher l'appareil électrique.** Conservez le cordon électrique à l'écart de la chaleur, de l'essence, de bords tranchants ou de pièces en mouvement. Un cordon électrique endommagé ou entortillé accroît le risque de décharge électrique.
- Au cas où l'appareil électroportatif serait utilisé à l'extérieur, servez-vous d'une rallonge appropriée à une utilisation en extérieur.** Cela réduit le risque de décharge électrique.
- Si une utilisation de l'appareil dans un environnement humide ne peut être évitée, utilisez une alimentation protégée par un disjoncteur différentiel.** L'utilisation d'un disjoncteur différentiel réduit le risque de décharge électrique.

3. Sécurité des personnes

- Rester vigilant et faire preuve de bon sens lors de la manipulation de l'appareil. Ne pas utiliser d'appareil électrique en état de fatigue ou sous l'influence de drogues, d'alcool ou de médicaments.** Un moment d'inattention pendant l'utilisation d'un appareil électrique peut se traduire par des blessures graves.
- Porter des équipements de protection. Porter toujours des lunettes de protection.** Le port d'équipements de protection tels que des masques à poussières, des chaussures de sécurité antidérapantes, un casque de sécurité ou des protections antibruit, selon le travail à effectuer, réduira le risque de blessures aux personnes.
- Éviter tout démarrage accidentel. S'assurer que l'interrupteur marche-arrêt soit en position d'arrêt (Off) avant de brancher l'appareil sur l'alimentation secteur.** Porter un appareil électrique tout en maintenant le doigt posé sur l'interrupteur ou brancher un appareil électrique dont l'interrupteur est sur la position de marche (On) est source d'accidents.
- Enlever toute clé ou tout instrument de réglage avant de mettre l'appareil électrique en marche.** Une clé ou un instrument de réglage resté fixé à un élément en rotation de l'appareil électrique peut entraîner des blessures physiques.
- Ne pas essayer d'atteindre une zone hors de portée. Se tenir toujours en position stable et conserver l'équilibre.** Cela permet de mieux contrôler l'appareil électrique dans des situations inattendues.
- Porter des vêtements appropriés. Ne pas porter de vêtements amples ou des bijoux pendents.** Les vêtements amples, les bijoux pendants ou les cheveux longs peuvent être happés par les pièces en mouvement.
- Si l'appareil est pourvu de dispositifs destinés au raccord d'équipements d'extraction et de récupération de la poussière/sciure, s'assurer qu'ils soient bien fixés et utilisés correctement.** L'utilisation de ces dispositifs peut réduire les risques dus à la poussière.
- Ne relâchez pas votre vigilance sous prétexte qu'un usage fréquent vous donne l'impression de vous sentir suffisamment en confiance et familier avec l'appareil et son utilisation. Les consignes de sécurité ne doivent en aucun cas être ignorées.** Une action inconsidérée qui ne durerait ne serait-ce qu'une fraction de seconde pourrait entraîner un accident impliquant de graves blessures.

4. Utilisation et entretien d'appareils électriques sans fil

- Ne pas surcharger l'appareil électrique. Utiliser l'appareil électrique approprié au travail à effectuer.** Un appareil électrique adapté et employé au rythme pour lequel il a été conçu permettra de réaliser un travail de meilleure qualité et dans de meilleures conditions de sécurité.
- Ne pas utiliser un appareil électrique dont l'interrupteur marche-arrêt est hors service.** Tout appareil électrique dont la commande ne s'effectue plus par l'interrupteur marche-arrêt est dangereux et doit être réparé.
- Débrancher l'appareil électrique avant d'effectuer tout réglage, changement d'accessoire ou avant de le ranger.** De telles mesures préventives réduiront les risques de démarrage accidentel.
- Ranger les appareils électriques inutilisés hors de portée des enfants et ne pas permettre l'utilisation de ces appareils aux personnes novices ou n'ayant pas connaissance de ces instructions.** Les appareils électriques sont dangereux dans les mains d'utilisateurs inexpérimentés.
- Veiller à l'entretien des appareils électriques. Vérifier que les éléments rotatifs soient bien alignés et non grippés. S'assurer de l'absence de pièces cassées ou endommagées susceptibles de nuire au bon fonctionnement de l'appareil.** Si l'appareil électrique est endommagé, le faire réparer avant toute utilisation. De nombreux accidents sont causés par l'utilisation d'appareils électriques mal entretenus.
- Garder les appareils de coupe affûtés et propres.** Des appareils de coupe bien entretenus, aux tranchants bien affûtés, sont moins susceptibles de se gripper et sont plus faciles à contrôler.
- Utiliser l'appareil électrique, les accessoires et les appareils à monter, etc., conformément à ces instructions et selon l'utilisation prévue pour le type d'appareil donné, en tenant compte des conditions de travail et de la tâche à réaliser.** Toute utilisation de cet appareil électrique autre que celle pour laquelle il a été conçu peut entraîner des situations à risque et entraînerait une annulation de sa garantie.
- Veillez à ce que les poignées et toute surface de préhension de l'appareil soient toujours propres, sèches et exemptes d'huile et de graisse.** Une poignée ou une surface de préhension rendue glissante ne consentirait pas à l'utilisateur de conserver une parfaite maîtrise de son appareil en toutes circonstances.

5. Entretien

Ne faire réparer l'appareil électrique que par un réparateur qualifié utilisant uniquement des pièces de rechange identiques. Cela permettra d'assurer la sécurité continue de cet appareil électrique.

Consignes de sécurité supplémentaires relatives aux ponceuses à bande et à cylindre oscillant

- Tenez l'appareil uniquement par les poignées isolées spécialement prévues ou les surfaces de préhension car la bande/feuille pourrait entrer en contact avec son propre cordon.** Un fil électrique sous tension qui serait accidentellement coupé pourrait rendre les parties métalliques exposées conductrices, ce qui constituerait un risque de choc électrique pour l'utilisateur.
- Il est recommandé que cet appareil soit toujours alimenté par un dispositif de courant résiduel avec une intensité de 30 mA ou moins.**
- Si le remplacement du cordon d'alimentation s'avérait nécessaire, celui-ci devrait être réalisé par le fabricant ou auprès d'un centre agréé afin d'éviter tout risque d'accident.**

Les avertissements, consignes et instructions données dans le présent manuel ne permettent pas d'aborder toutes les conditions et les situations à risque susceptible de survenir à l'utilisation d'une ponceuse à cylindre oscillant. L'utilisateur doit faire preuve de bon sens et de prudence lors du ponçage sur ce type d'appareil.

N'utilisez pas la ponceuse à cylindre oscillant tant qu'elle n'est pas complètement assemblée et tant que vous ne vous êtes pas familiarisé avec son mode d'emploi et les étiquettes d'avertissement présentes sur la machine.

- a) **Assurez-vous du bon état de la ponceuse.** Avant toute utilisation, remplacez toute pièce manquante, déformée ou ne fonctionnant pas correctement.
- b) **Préparez la machine en fonction du type de ponçage envisagé, avant de la mettre en marche.**
- c) **Tenez la pièce à poncer dans une position sûre** sur le plateau de la machine, et tenez la pièce à deux mains.
- d) **Tenez compte du sens d'avancée de la pièce.** Faites progresser la pièce à poncer contre le sens de rotation du manchon de ponçage.
- e) **Tenez toujours les mains à l'écart de la trajectoire de ponçage et des manchons de ponçage.** Évitez les positions susceptibles de voir vos mains entraînées vers l'arbre. Ne placez pas les doigts sous la pièce à poncer ni autour du manchon de ponçage tant que l'arbre est en rotation.
- f) **Pour plus de sécurité, débranchez l'appareil après l'avoir éteint.** Attendez que l'arbre ait totalement cessé de tourner avant toute opération d'entretien. La machine doit être débranchée lorsqu'elle n'est pas utilisée ou lors du changement des plaques d'insert, des manchons de ponçage, tambours de caoutchouc ou autres éléments.
- g) **Assurez-vous de l'absence de tout corps étranger, tel que clous ou agrafes, dans la pièce à poncer.**
- h) **Cette ponceuse n'est pas conçue pour un ponçage humide.** Un ponçage humide pourrait entraîner un risque de choc électrique, de blessure grave voire fatale.
- i) **Utilisez que des pièces de rechange identiques sur votre ponceuse.**
- j) **Assurez-vous que l'arbre ait totalement cessé de tourner avant de toucher la pièce à poncer.**
- k) **Prenez des précautions au moment du ponçage de surfaces peintes.** Il n'est PAS RECOMMANDÉ de poncer des surfaces traitées à la peinture au plomb. La poussière créée est difficilement maîtrisable et est source d'intoxication par le plomb.

Précautions lors du ponçage de surfaces peintes :

- a) **Protégez vos poumons :** portez un masque anti-poussière.
- b) **Tenez les enfants et femmes enceintes à l'écart de la zone de travail tant que la zone n'a pas été nettoyée.**
- c) **Ne buvez, ne mangez et ne fumez pas dans la zone dans laquelle vous procédez au ponçage de surfaces peintes.**
- d) **Dans la mesure du possible, utilisez un dispositif d'aspiration des poussières.** Ne laissez pas la poussière s'infiltrer dans votre zone de travail. Assurez-vous de ne pas transporter la poussière vers d'autres zones de votre environnement.
- e) **Procédez à un nettoyage minutieux de la zone de travail une fois le ponçage terminé.**

Descriptif produit

1. Bouton de centrage de la bande
2. Levier de dégagement de la bande
3. Butée pour la pièce d'ouvrage
4. Bouton de verrouillage de l'arbre
5. Vis papillon pour le réglage de la butée pour la pièce d'ouvrage
6. Plateau fixe
7. Compartiment de rangement des plaques à gorge
8. Bouton de réglage de l'angle du plateau
9. Rainure pour le réglage de l'angle du plateau
10. Crans d'arrêts pour le réglage de l'angle du plateau
11. Trous pour le montage sur établi
12. Interrupteur d'arrêt
13. Interrupteur de mise en marche
14. Compartiment de rangement des rondelles
15. Compartiment de rangement des cylindres
16. Plateau inclinable
17. Ponceuse à bande
18. Tubulure d'extraction des poussières
19. Bouton de réglage de l'angle du plateau
20. Compartiment de rangement des plaques à gorge
21. Compartiment de rangement de la clé
22. Compartiment arrière
23. Bloc bande abrasive
24. Bande abrasive
25. Manchons de ponçage (5 tailles)
26. Plaques à gorge (5 tailles)

27. Écrou de la broche
28. Rondelles de la broche
29. Inserts de plateau
30. Clé
31. Cylindres pour manchons (4 tailles)
32. Broche
33. Bouton de réglage de la broche

Usage conforme

Ponceuse électrique conçue pour être montée sur établi et pouvant être utilisée aussi bien comme ponceuse à cylindre oscillant que comme ponceuse à bande. Conçue pour le ponçage de surfaces aussi bien rectilignes que bombées ainsi que pour le ponçage des pièces d'ouvrage de dimensions ou de formes complexes. Le plateau inclinable situé à l'avant est idéal pour travailler les bords d'une pièce d'ouvrage et, par exemple, pour réaliser des travaux de chanfreinage.

Déballage

- Déballer le produit avec soin. Veillez à retirer tout le matériau d'emballage et familiarisez-vous avec toutes les caractéristiques du produit.
- Si des pièces sont endommagées ou manquantes, faites-les réparer ou remplacer avant d'utiliser l'appareil.

Avant utilisation

 **AVERTISSEMENT :** Assurez-vous que l'outil soit déconnecté de la source d'alimentation avant toutes opérations d'entretien ou changement d'accessoires.

Montage sur établi

Si la ponceuse à cylindre oscillant est destinée à être utilisée en un endroit défini de manière permanente, il est recommandé de la fixer à un plan de travail rigide.

- Le socle de l'appareil présente des trous pour le montage sur établi (11) qui peuvent être utilisés comme gabarit en vue du perçage de trous de fixation sur la surface de montage envisagée (établi par exemple). Fixez la ponceuse à l'aide de gros boulons, rondelles et écrous (non fournis) (Figure I).
- Si la ponceuse à cylindre oscillant est destinée à une utilisation portable, fixez sur son socle une planche qui lui permettra d'être facilement retenue en place à l'aide de presses ou de serre-joints et retirée en vue d'une utilisation en un autre emplacement.
- Si vous utilisez des boulons, assurez-vous que ceux-ci soient assez longs pour pénétrer dans la surface de l'établi ou dans la planche de manière à permettre une fixation sûre.

Remarque : Utilisez des écrous à garniture de nylon ou des rondelles ressort pour les éléments de fixation afin d'éviter que les vibrations ne finissent par les rendre lâches.

Remarque : N'utilisez jamais des boulons nécessitant de la force dans les trous pour l'assemblage du plateau car en appliquant trop de force, le corps en plastique pourrait se casser.

Extraction de la poussière

Il est recommandé d'utiliser la ponceuse à cylindre oscillant conjointement à un système d'extraction des poussières pour maintenir un environnement de travail plus propre et plus sain.

1. Installez le tuyau de votre système d'extraction des poussières sur la tubulure (18) spécialement prévue et vérifiez qu'il soit bien enfoncé.
2. Pour une plus grande efficacité, allumez votre système d'extraction avant d'allumer la ponceuse.

Mode ponceuse à bande

1. Pour retirer les éléments de la ponceuse à cylindre oscillant, dévissez l'écrou de la broche (27) à l'aide de la clé (30) puis retirez dans l'ordre, la rondelle de la broche (28), le cylindre pour manchon (31), la plaque à gorge (26) et l'insert de plateau (29).
2. Rangez les éléments de la ponceuse à cylindre oscillant dans les différents compartiments spécialement prévus intégrés dans le boîtier du bloc principal : Compartiment de rangement des rondelles (14), Compartiment de rangement des cylindres (15), Compartiment de rangement des plaques à gorge (7 et 20) et Compartiment arrière (22).
3. Placez le bloc bande abrasive (23) dans le renforcement du plateau fixe (6) comme illustré et fixez l'ensemble en place à l'aide du bouton de réglage de la broche (33).
4. Si nécessaire en fonction de l'opération à réaliser, installez la butée pour la pièce d'ouvrage (3) à l'aide de la vis papillon (5) spécialement prévue.
5. À moins qu'une bande abrasive (24) ne soit déjà en place, poussez le levier de dégagement de la bande (2) en direction du bouton de réglage de la broche pour installer la bande. À noter qu'il s'agit d'un mécanisme sur ressort sous tension, il est par conséquent important de procéder avec précaution pour éviter d'abîmer votre appareil.
6. Placez une bande en veillant à ce qu'elle soit bien positionnée, la partie supérieure étant alignée à la bonne hauteur sur le cylindre principal du bloc ponceuse à bande et tournée dans le bon sens (Image A) comme indiqué par la flèche.
7. Remettez le levier dans sa position initiale vers le bouton de centrage de la bande (1) afin de fixer la bande en place.

- Vous pouvez à présent rebrancher votre appareil et l'allumer. Veillez toutefois à vérifier que le centrage de la bande soit correct. Si le centrage de la bande n'est pas bon et que la bande commence à se déplacer de haut en bas sur le cylindre, éteignez immédiatement l'appareil pour procéder de nouveau à l'installation de la bande.

Ajustement de la bande

Le bouton de centrage de la bande vous permet d'obtenir un parfait ajustement. Si la bande se déplace légèrement par rapport à sa position initiale, vous pouvez réaliser de petits ajustements à l'aide du bouton de centrage de la bande. Pour remettre la bande complètement en place si elle se retrouve mal positionnée à chaque fois que vous éteignez l'appareil, servez-vous plutôt du levier de dégauchement de la bande pour repositionner la bande à la bonne hauteur puis, effectuez les ajustements nécessaires à l'aide du bouton de centrage de la bande.

- Pour augmenter la hauteur de la bande, tournez le bouton de centrage dans le sens des aiguilles d'une montre. Pour en réduire la hauteur, tournez en revanche le bouton dans le sens contraire des aiguilles d'une montre.

- Vous remarquerez que les ajustements nécessaires se trouvent toujours situés dans une plage de réglage déterminée du bouton de centrage de la bande. Essayez de viser toujours une valeur se situant au milieu de cette plage de réglage afin d'obtenir un centrage optimal, même sous charge.

Remarque : Si la bande abrasive venait à frotter contre la surface du renforcement du plateau fixe en raison d'un mauvais ajustement, elle pourrait s'abîmer. À noter qu'il est plus facile de réaliser un ajustement nécessaire en raison d'un déplacement de la bande vers le haut plutôt que vers le bas car dans ce cas, le bord de la bande risque de s'abîmer. Il est recommandé d'effectuer d'abord un réglage large en tournant le bouton dans le sens des aiguilles d'une montre puis, d'effectuer progressivement de petits ajustements légers en le tournant dans le sens contraire des aiguilles d'une montre pour ramener la bande à la bonne hauteur lorsqu'un tel ajustement est nécessaire.

Mode ponceuse à cylindre oscillant

Sélection de la granulométrie du manchon de ponçage

- Il existe des manchons de ponçage de grains différents : gros grain (grain 80), grain moyen (grains 150), et grain fin (grain 240).
- Utilisez le gros grain pour une finition grossière, le grain moyen pour adoucir et le grain fin pour la finition.
- Pour tirer le meilleur de votre ponceuse, procurez-vous toujours des manchons abrasifs de bonne qualité.
- Il est conseillé de faire un essai sur une chute de matériau pour vérifier si la bande abrasive est la mieux adaptée à la tâche à réaliser. S'il y a encore des marques après le ponçage, essayez un grain plus gros et poncez les marques puis repassez à un grain plus fin, vous pouvez aussi essayer d'utiliser un manchon de ponçage neuf puis repassez à un grain fin de finition.

Installation du manchon de ponçage

- Pour enlever la ponceuse à bande (17) dévissez et retirez le bouton de réglage de la broche (33) puis, tirez la ponceuse à bande vers le haut pour la faire sortir du plateau fixe (6). Rangez-la dans le compartiment arrière (22).
- Choisissez les éléments convenant à l'application à réaliser en vous aidant du tableau ci-dessous.
- Installez chaque élément comme illustré (Fig. II).
- Resserrez l'écrou de la broche (27) à l'aide de la clé (30) pour vous assurer que le manchon de ponçage ne glisse pas durant l'opération. Veillez à ne pas trop serrer.
- Si nécessaire, placez la butée pour la pièce d'ouvrage (3) à l'aide de la vis papillon spécialement prévue (5).

Remarque : Il est recommandé d'utiliser l'écrou de la broche (27). Cependant, si un changement fréquent est nécessaire entre le mode ponceuse à bande et le mode ponceuse à cylindre oscillant, le bouton de réglage de la broche (33) peut être utilisé à la place de l'écrou, mais seulement à condition qu'il exerce une pression suffisante pour maintenir le manchon de ponçage. Cela dépendra avant tout de l'ajustement du manchon et du cylindre.

IMPORTANT : Aidez-vous du tableau ci-dessous pour déterminer la plaque à gorge et le cylindre le plus appropriés pour chaque manchon de ponçage.

Taille du manchon de ponçage (25)	Taille du cylindre pour manchon (31)	Taille de la plaque à gorge (26)	Taille de la rondelle de la broche (28)
13mm	-	13mm	Petite
19mm	Petit	19mm	Moyenne
26mm	Moyen	26mm	Moyenne
38mm	Grand	38mm	Moyenne
51mm	Très grand	51mm	Grande

Remarques

- Tous les manchons de ponçage (25), à l'exception du manchon le plus petit de 13 mm (1/2"), se placent sur un cylindre (31) de la taille correspondante (31).
- Si un manchon de ponçage n'est utilisé que d'un côté, vous pouvez le retourner pour utiliser le côté opposé et ainsi optimiser son utilisation.
- Si le manchon tourne sur le cylindre une fois que l'appareil est allumé, cela signifie que l'écrou de la broche (27) n'est pas suffisamment serré pour exercer une pression sur le cylindre afin qu'il puisse retenir le manchon.
- Assurez-vous qu'il n'y ait aucun contact entre le manchon de ponçage et l'insert de plateau avant d'allumer la ponceuse.

IMPORTANT : N'utilisez pas un manchon de ponçage excessivement usé. Cela contribuerait à un échauffement susceptible d'endommager le cylindre. La garantie ne couvre pas les cylindres dont l'usure a été causée par l'utilisation de manchons de ponçage usés.

IMPORTANT : Il est important de sélectionner la bonne plaque à gorge (26) et son manchon correspondant car, dans le cas contraire, vous risquez de vous pincer les doigts ou bien que la pièce d'ouvrage ne se bloque entre la plaque à gorge et le manchon de ponçage.

Le manchon de ponçage doit être parfaitement positionné dans la rainure centrale de la plaque à gorge.

Inclinaison du plateau

Le plateau inclinable (16) peut s'incliner jusqu'à un angle de 45° ce qui facilite les opérations de chanfreinage et de travail des bords d'une pièce d'ouvrage.

- Desserrez les deux boutons de réglage de l'angle du plateau (8 et 19) situés des deux côtés du plateau.
- Positionnez le plateau à l'angle voulu à l'aide des rainures spécialement prévues (9). Vous trouverez des crans d'arrêt (10) aux inclinaisons d'angles les plus communément utilisées (0°, 15°, 22,5°, 30° et 45°).
- Resserrez les deux boutons de réglage pour fixer le plateau en position.

Instructions d'utilisation

AVERTISSEMENT : Portez TOUJOURS des lunettes de protection, des protections auditives, des gants adaptés ainsi qu'un masque respiratoire lorsque vous travaillez avec cet outil.

AVERTISSEMENT : ASSUREZ-VOUS que ni vos gants ni vos vêtements n'aient de fils détachés et pendants qui pourraient être pris dans l'arbre en rotation et ainsi risquer d'y précipiter vos mains ou votre tête et vous blesser sérieusement. De plus, il est vivement recommandé de ne pas utiliser des gants en tissu.

Mise en marche/arrêt

Remarque : Assurez-vous qu'il n'y ait aucun contact entre le manchon et la plaque à gorge ou entre la bande abrasive et la surface du plateau avant d'allumer votre ponceuse.

- Pour allumer, appuyez sur l'interrupteur d'allumage (13) situé à l'avant de l'appareil.
- Pour l'éteindre, appuyez sur l'interrupteur d'arrêt (12).

Remarque : L'interrupteur marche-arrêt a été spécialement conçu pour être facilement poussé afin d'éteindre rapidement l'appareil en cas de besoin.

IMPORTANT : Cet interrupteur dispose d'un dispositif de sécurité pensé pour prévenir tout risque de démarrage intempêt, notamment par un enfant. Pour cela, retirez la pièce servant au verrouillage de l'interrupteur (13) en retirant de l'interrupteur marche-arrêt et rangez-le dans un endroit sûr. Une fois que cette pièce est retirée, l'interrupteur ne peut en aucun cas être actionné. Il est par conséquent primordial de ne pas perdre cette pièce.

Ponçage

ATTENTION : N'utilisez pas cette ponceuse pour poncer du métal. Le ponçage du métal entraînera la production d'étincelles susceptibles d'enflammer les particules de bois et les poussières présentes sur la machine ou dans l'atelier.

REMARQUE : L'arbre et la bande tournent dans le sens contraire des aiguilles d'une montre.

- Vérifiez que la ponceuse soit solidement installée sur l'établi.
- Assurez-vous de porter tous les équipements de sécurité appropriés, y compris un masque anti-poussière et des lunettes de protection, puis allumez le système d'extraction des poussières (selon le cas).
- Allumez la ponceuse et laissez le moteur atteindre son plein régime.

IMPORTANT : Faire avancer la pièce de travail progressivement contre le manchon de ponçage (Image D) et dans LE SENS OPPOSE à la rotation. Ne pas respecter cette consigne peut résulter en un risque pour la pièce d'ouvrage d'être éjectée du manchon ou de la bande abrasive et de blessures pour l'opérateur. Ne pas forcer ou exercer une pression excessive sur la pièce d'ouvrage.

- Si possible, servez-vous de la butée spécialement prévue pour la pièce d'ouvrage (3).
- Une fois la tâche terminée, éteignez l'appareil et débranchez-le.

Accessoires

- Une grande variété d'accessoires, y compris divers manchons et bandes abrasives, est disponible auprès de votre revendeur Triton.
- Vous pouvez également commander des pièces de rechange sur toolsparamsonline.com.

Entretien

ATTENTION : Débranchez l'appareil de sa source d'alimentation avant toute opération de nettoyage ou d'entretien.

- En cas d'usure ou d'endommagement nécessitant une réparation, celle-ci ne doit être réalisée que par le fabricant ou qu'auprès d'un centre de réparation agréé Triton.

Inspection générale

Vérifiez régulièrement que toutes les vis soient bien serrées. Elles peuvent devenir lâches avec le temps.

Entretien du câble d'alimentation

Vérifiez régulièrement le bon état du câble d'alimentation et avant chaque utilisation. Ce conseil s'applique également pour les rallonges utilisées avec cet appareil.

Nettoyage

- Veillez à éliminer saleté et poussières régulièrement. Soufflez ou utilisez un dispositif d'aspiration sur les différents éléments de la ponceuse et du boîtier du moteur.
 - Retirez régulièrement les inserts de plateau et abaissez la rondelle de l'arbre pour éliminer toute accumulation de poussières se trouvant au niveau de l'insert du plateau.
 - Lubrifiez légèrement toutes les parties mobiles régulièrement.
 - N'utilisez jamais d'agents caustiques pour nettoyer les parties plastiques.
- N'utilisez jamais d'agents caustiques pour nettoyer les parties plastiques. Nettoyez le boîtier de la machine avec un chiffon doux et humide et un détergent doux. L'appareil ne doit jamais être mis en contact de l'eau.

Remplacement des balais de charbon

- Avec le temps, les balais de charbon du moteur s'usent. Ce processus d'usure est accéléré si la machine est surchargée ou utilisée dans des environnements poussiéreux
 - Si les balais sont excessivement usés, le rendement du moteur peut diminuer, la machine peut ne pas démarrer ou une quantité anormale d'étincelles peut être observée
- Pour remplacer les balais :
 - Disposez la ponceuse sur son côté et retirez les vis permettant de maintenir le capot de l'embase afin d'accéder au moteur.
 - Nettoyez soigneusement l'intérieur si vous constatez une accumulation de poussières de bois ou copeaux près du capot de l'embase.
 - Retirez les deux vis servant à maintenir l'un des caches d'accès aux balais de charbon (indiqué en Image E) et enlevez le cache.
 - Retirez doucement l'ensemble balai de charbon (Image F).
 - Débranchez le fil relié à l'ensemble balai de charbon puis retirez le balai de charbon.
 - Installez le balai de charbon de rechange et rebranchez le fil.
 - Remettez le bloc moteur-balai de charbon en veillant à ce que la petite languette soit correctement positionnée (indiqué en Image F).

- Remplacez le cache d'accès aux balais de charbon et remettez les vis.
- Répétez les étapes de 3 à 8 avec l'autre ensemble balai de charbon. À noter qu'il est très important que les balais de charbon soient toujours remplacés par paires.
- Remettez l'embase en place et resserrez bien les vis pour la fixer.

Sinon, vous pouvez vous adresser à un centre d'entretien agréé pour faire remplacer les balais de charbon de votre ponceuse.

Contact

Pour tout conseil technique ou réparation, veuillez nous contacter :

Téléphone : (+44) 1935 382 222

Site web : www.tritontools.com/fr-FR/Support

Adresse :

Powerbox

Boundary Way

Lufton Trading Estate

Yeovil, Somerset

BA22 8HZ, United Kingdom (Royaume-Uni)

Rangement

- Ranger cet outil dans un endroit sûr, sec et hors portée des enfants. Si cette ponceuse est placée de manière fixe dans un atelier ou un garage, assurez-vous que l'accès en soit limité pour éviter tout risque qu'un enfant puisse mettre l'appareil en marche.

Recyclage

Lorsque l'appareil n'est plus en état de fonctionner et qu'il n'est pas réparable, recyclez l'appareil en accord avec les réglementations nationales.

- Ne jetez pas les outils électriques, batteries et autres équipements électriques ou électroniques (DEEE) avec les ordures ménagères.
- Contactez les autorités locales compétentes en matière de gestion des déchets pour vous informer de la procédure à suivre pour recycler les outils électriques.

En cas de problème

Problème	Cause possible	Solution
L'appareil ne marche pas lorsque l'interrupteur de marche/arrêt est activé	Pas de courant	Vérifier la source d'alimentation électrique
	Interrupteur de marche/arrêt défectueux	Faites remplacer l'interrupteur auprès d'un centre de réparation agréé Triton
Le manchon de ponçage (25) ne tourne pas avec le cylindre (31)	L'écrou de la broche (27) n'est pas assez serré	Serrer l'écrou de la broche légèrement et progressivement jusqu'à ce que le cylindre maintienne correctement le manchon
La bande abrasive ne reste pas en place à la même hauteur durant l'utilisation	L'ajustement de la bande est incorrect	Voir 'Ajustement de la bande'
Grande quantité de poussières produite	Passage de l'extracteur de poussière bloqué	Débranchez l'appareil. Retirez les différents éléments de la ponceuse à cylindre ou du bloc ponceuse à bande pour débloquer le passage de l'extracteur
	La plaque à gorge utilisée n'est pas appropriée	Choisissez et installez une plaque à gorge de taille appropriée
La ponceuse ne fonctionne pas à plein régime ou son moteur émet un bruit inhabituel	Moteur en surchauffe	Éteignez votre ponceuse et laissez-la refroidir pendant une demi-heure
	Moteur défectueux	Adressez-vous à un centre agréé Triton
	Les balais de charbon doivent être remplacés	Voir 'Remplacement des balais de charbon'
	La courroie du moteur est usée ou tendue	Adressez-vous à un centre agréé Triton

Garantie

Pour valider votre garantie, rendez-vous sur notre site internet www.tritontools.com* et saisissez vos coordonnées.

Vos coordonnées seront introduites dans notre liste de diffusion (sauf indication contraire) afin de vous informer de nos prochaines nouveautés. Les informations que vous nous fournirez ne seront pas communiquées à des tiers.

Pense-bête

Date d'achat : ___ / ___ / ___

Modèle: TSPST450

Veillez conserver votre ticket de caisse comme preuve d'achat.

Déclaration de conformité CE

Le soussigné : M. Darrell Morris

Autorisé par : Triton

Déclare que : La présente déclaration est établie sous la responsabilité exclusive du fabricant. La présente déclaration de conformité est rédigée conformément à la législation d'harmonisation de l'Union Européenne pertinente

Code d'identification : TSPST450

Description : Ponceuse à bande et à cylindre oscillant 2-en-1, 450 W

Est conforme aux directives suivantes :

- Directive sur les machines 2006/42/CE
- Directive sur la compatibilité électromagnétique 2014/30/UE
- Directive RoHS 2011/65/UE
- EN 61029-1:2009+A11:2010
- EN ISO 12100:2010
- EN 55014-1:2006+A2:2011
- EN 55014-2:1997+A2:2008
- EN 61000-3-2:2014
- EN 61000-3-3:2013

Si toute pièce de ce produit s'avérait défectueuse ou fait d'un vice de fabrication ou de matériau dans les 12 MOIS suivant la date d'achat, Triton Precision Power Tools s'engage auprès de l'acheteur de ce produit à réparer ou, à sa discrétion, à remplacer gratuitement la pièce défectueuse.

Cette garantie ne s'applique pas à l'utilisation commerciale et ne s'étend pas non plus à l'usure normale ou aux dommages causés par des accidents, des mauvais traitements ou une utilisation non conforme de votre appareil.

* Enregistrez votre produit en ligne dans les 30 jours suivant la date d'achat.

Offre soumise à conditions.

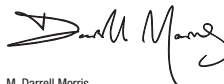
Ceci n'affecte pas vos droits statutaires.

Organisme notifié : TÜV SÜD

La documentation technique est conservée par : Triton

Date : 22/10/2018

Signature :



M. Darrell Morris

Directeur général

Nom et adresse du fabricant ou de son représentant agréé :

Powerbox International Limited, entreprise enregistrée sous le numéro 06897059.

Powerbox, Boundary Way, Lufton Trading Estate, Yeovil, Somerset, BA22 8HZ, Royaume Uni.

Übersetzung der Originalbetriebsanleitung

Einführung

Vielen Dank, dass Sie sich für dieses Triton-Werkzeug entschieden haben. Diese Anleitung enthält wichtige Informationen für das sichere und effektive Arbeiten mit diesem Produkt. Bitte lesen Sie diese Anleitung sorgfältig durch, um den größtmöglichen Nutzen aus dem einzigartigen Design dieses Produkts ziehen zu können.

Bewahren Sie diese Anleitung griffbereit auf und sorgen Sie dafür, dass alle Benutzer dieses Geräts sie gelesen und verstanden haben.

Symbolerklärung

Auf dem Typenschild des Werkzeugs sind möglicherweise Symbole abgebildet. Sie vermitteln wichtige Informationen über das Produkt oder dienen als Gebrauchsanweisung.



Gehörschutz tragen
Augenschutz tragen
Atemschutz tragen
Kopfschutz tragen



Schutzhandschuhe tragen



Bedienungsanleitung sorgfältig lesen



Achtung, Gefahr!



Nur für den Innengebrauch!



Giftige Dämpfe oder Gase!



Vor Einstellungsänderungen, Zubehörwechseln, Reinigungs- und Instandhaltungsarbeiten sowie bei Nichtgebrauch stets von der Spannungsversorgung trennen!



Staubabsaugung erforderlich bzw. empfohlen



Schutzklasse II (doppelt isoliert)



Umweltschutz Elektroaltgeräte dürfen nicht über den Hausmüll entsorgt werden. Nach Möglichkeit bitte über entsprechende Einrichtungen entsorgen. Lassen Sie sich bezüglich der sachgemäßen Entsorgung von Elektrowerkzeugen von der zuständigen Behörde oder dem Händler beraten.



Erfüllt die einschlägigen Rechtsvorschriften und Sicherheitsnormen

Verzeichnis der technischen Symbole und Abkürzungen

V	Volt
Hz	Hertz
~, AC	Wechselstrom
≡, DC	Gleichstrom
n ₀	Leerlaufdrehzahl
A, mA	Ampere, Milliampere
W, kW	Watt, Kilowatt
/min or min ⁻¹	Umdrehungen pro Minute
n	Nennzahl
Osz./Min.	Kreisbahnen oder Oszillationen pro Minute
Hub/Min.	Hübe pro Minute
°	Grad
dB(A)	Schallpegel in Dezibel (A-bewertet)
∅	Durchmesser
m/s ²	Quadratmeter pro Sekunde (Schwingungsstärke)

Technische Daten

Modellbezeichnung:	TSPST450
Spannung:	230 V~, 50/60 Hz
Leistung:	450 W
Leerlaufdrehzahl (Spindel):	2.000 min ⁻¹
Bandlaufgeschwindigkeit:	480 min ⁻¹
Oszillationen:	58 Osz./Min.
Oszillationshub:	16 mm
Schleifhülsen:	∅ 13, 19, 26, 38, 51 mm
Bandmaße:	100 x 61 mm
Absaugstutzen (Außendurchmesser):	38 mm
Tischmaße (L x B):	430 x 410 mm
Schwenktischmaße (L x B):	220 x 410 mm
Tischneigungswinkel:	0–45°
Tischwinkelstufen:	0°, 15°, 22,5°, 30° und 45°
Spindelgewinde:	12,7 mm x 1,5 mm
Schutzklasse:	
Schutzart:	IP 20
Abmessungen (L x H x B):	390 x 450 x 330 mm
Gewicht:	12,9 kg
Aufgrund der fortlaufenden Weiterentwicklung unserer Produkte können sich die technischen Daten von Triton-Produkten ohne vorherige Ankündigung ändern.	

Geräusch- und Vibrationsinformationen

Schalldruckpegel L_{pA} :	76 dB(A)
Schalleistungspegel L_{WA} :	89 dB(A)
Unsicherheit K:	3 dB
Der Schallintensitätspegel kann für den Bediener 85 dB(A) übersteigen und Lärmschutzmaßnahmen sind notwendig.	

WARNUNG! Tragen Sie in Bereichen, in denen der Lärmpegel 85 dB(A) überschreitet, unbedingt angemessenen Gehörschutz und begrenzen Sie nach Möglichkeit die Belastungsdauer. Sollte trotz Gehörschutz Unbehagen irgendeiner Art auftreten, beenden Sie die Arbeit unverzüglich und überprüfen Sie den Gehörschutz auf korrekten Sitz und Funktion und stellen Sie sicher, dass dieser einen angemessenen Schutz für den Lärmpegel bietet, der von den verwendeten Werkzeugen ausgeht.

WARNUNG! Bei der Benutzung mancher Werkzeuge wird der Benutzer Vibrationen ausgesetzt, welche zum Verlust des Tastsinns, zu Taubheitsgefühl, Kribbeln und zu einer Verminderung der Handgrieffkraft führen können. Langfristige Belastung kann zu chronischen Beschwerden führen. Beachten Sie, falls nötig, die Exposition zu Vibrationen und tragen Sie vibrationsmindernde Handschuhe. Verwenden Sie dieses Werkzeug nicht mit kalten Händen, da Vibrationen bei Temperaturen unter dem individuellen Komfortbereich eine stärkere Wirkung zeigen. Beurteilen Sie die Vibrationsbelastung unter Zuhilfenahme der Technischen Daten des jeweiligen Werkzeuges und bestimmen Sie die zulässige Belastungsdauer und -häufigkeit.

Die in den Technischen Daten angegebenen Geräusch- und Vibrationsinformationen werden nach EN 60745 bzw. vergleichbaren internationalen Standards bestimmt. Die angegebenen Werte beziehen sich auf eine normale Benutzung des Werkzeuges unter normalen Arbeitsbedingungen. Schlecht gewartete, inkorrekt montierte und unsachgemäß verwendete Werkzeuge können erhöhte Schallpegel und Vibrationswerte aufweisen. Weitere Informationen zur EU-Vibrationsrichtlinie und zu Schall- sowie Vibrationsbelastungen, die auch für Heimnutzender relevant sein können, finden Sie auf den Seiten der Europäischen Agentur für Sicherheit und Gesundheitsschutz am Arbeitsplatz: www.osha.europa.eu.

Allgemeine Sicherheitshinweise

⚠️ WARNUNG! Beachten Sie alle mit dem Gerät gelieferten **Sicherheitshinweise, Anweisungen, Abbildungen und technischen Daten**. Versäumnisse bei der Einhaltung der Anweisungen können elektrischen Schlag, Brand und/oder schwere Verletzungen verursachen.

⚠️ WARNUNG! Benutzen Sie das Elektrowerkzeug, dessen Zubehör, Messer usw. nur in **Übereinstimmung mit diesen Anweisungen und berücksichtigen Sie dabei die Arbeitsbedingungen und die auszuführenden Arbeiten**. Die bestimmungsfremde Verwendung von Elektrowerkzeugen kann zu einer Gefahrensituation führen.

Bewahren Sie alle Sicherheitshinweise und Anweisungen für die Zukunft auf.

Der in den Sicherheitshinweisen verwendete Begriff „Elektrowerkzeug“ bezieht sich auf netzbetriebene Elektrowerkzeuge (mit Netzkabel) und auf akkubetriebene Elektrowerkzeuge (ohne Netzkabel).

- 1) **Arbeitsplatzsicherheit**
 - a) **Halten Sie Ihren Arbeitsbereich sauber und gut beleuchtet.** Unordnung oder unbeluchtete Arbeitsbereiche können zu Unfällen führen.
 - b) **Arbeiten Sie mit dem Elektrowerkzeug nicht in explosionsgefährdeter Umgebung, in der sich brennbare Flüssigkeiten, Gase oder Stäube befinden.** Elektrowerkzeuge erzeugen Funken, die den Staub oder die Dämpfe entzünden können.
 - c) **Halten Sie Kinder und andere Personen während der Benutzung des Elektrowerkzeuges fern.** Bei Ablenkung können Sie die Kontrolle über das Gerät verlieren.
- 2) **Elektrische Sicherheit**
 - a) **Der Anschlussstecker des Elektrowerkzeuges muss in die Steckdose passen. Der Stecker darf in keiner Weise verändert werden. Verwenden Sie keine Adapterstecker gemeinsam mit schutzgeerdeten Elektrowerkzeugen.** Unveränderte Stecker und passende Steckdosen verringern das Risiko eines elektrischen Schlages.
 - b) **Vermeiden Sie Körperkontakt mit geerdeten Oberflächen wie von Rohren, Heizungen, Herden und Kühlschränken.** Es besteht ein erhöhtes Risiko durch elektrischen Schlag, wenn Ihr Körper geerdet ist.
 - c) **Halten Sie Elektrowerkzeuge von Regen oder Nässe fern.** Das Eindringen von Wasser in ein Elektrowerkzeug erhöht das Risiko eines elektrischen Schlages.
 - d) **Zweckentfremden Sie das Kabel nicht, um das Elektrowerkzeug zu tragen, aufzuhängen oder um den Stecker aus der Steckdose zu ziehen. Halten Sie das Kabel fern von Hitze, Öl, scharfen Kanten oder sich bewegenden Geräteteilen.** Beschädigte oder verwickelte Kabel erhöhen das Risiko eines elektrischen Schlages.
 - e) **Wenn Sie mit einem Elektrowerkzeug im Freien arbeiten, verwenden Sie nur Verlängerungskabel, die auch für den Außenbereich geeignet sind.** Die Anwendung eines für den Außenbereich geeigneten Verlängerungskabels verringert das Risiko eines elektrischen Schlages.
 - f) **Wenn der Betrieb des Elektrowerkzeuges in feuchter Umgebung nicht vermeidbar ist, verwenden Sie einen Fehlerstromschutzschalter.** Der Einsatz eines Fehlerstromschutzschalters vermindert das Risiko eines elektrischen Schlages.

- 3) **Sicherheit von Personen**
 - a) **Seien Sie aufmerksam, achten Sie darauf, was Sie tun, und gehen Sie mit Vernunft an die Arbeit mit einem Elektrowerkzeug. Benutzen Sie kein Elektrowerkzeug, wenn Sie müde sind oder unter dem Einfluss von Drogen, Alkohol oder Medikamenten stehen.** Ein Moment der Unachtsamkeit beim Gebrauch des Elektrowerkzeuges kann zu ernsthaften Verletzungen führen.
 - b) **Tragen Sie persönliche Schutzausrüstung und immer eine Schutzbrille.** Das Tragen persönlicher Schutzausrüstung, wie Staubmaske, rutschfeste Sicherheitsschuhe, Schutzhelm oder Gehörschutz, je nach Art und Einsatz des Elektrowerkzeuges, verringert das Risiko von Verletzungen.
 - c) **Vermeiden Sie eine unbeabsichtigte Inbetriebnahme. Vergewissern Sie sich, dass das Elektrowerkzeug ausgeschaltet ist, bevor Sie es an die Stromversorgung und/oder den Akku anschließen, es aufnehmen oder tragen.** Wenn Sie beim Tragen des Elektrowerkzeuges den Finger am Schalter haben oder das Gerät eingeschaltet an die Stromversorgung anschließen, kann dies zu Unfällen führen.
 - d) **Entfernen Sie Einstellwerkzeuge oder Schraubenschlüssel, bevor Sie das Elektrowerkzeug einschalten.** Ein Werkzeug oder Schlüssel, der sich in einem drehenden Geräteteil befindet, kann zu Verletzungen führen.
 - e) **Vermeiden Sie eine unnatürliche Körperhaltung. Sorgen Sie für einen sicheren Stand und halten Sie jederzeit das Gleichgewicht.** Auf diese Weise lässt sich das Elektrowerkzeug in unerwarteten Situationen besser kontrollieren.
 - f) **Tragen Sie geeignete Kleidung. Tragen Sie keine weite Kleidung oder Schmuck. Halten Sie Haare, Kleidung und Handschuhe fern von sich bewegenden Teilen.** Lockere Kleidung, Schmuck oder lange Haare können von sich bewegenden Teilen erfasst werden.
 - g) **Wenn Staubabsaug- und -auffangeinrichtungen montiert werden können, vergewissern Sie sich, dass diese angeschlossen sind und richtig verwundet werden.** Verwendung einer Staubabsaugung kann Gefährdungen durch Staub verringern.
 - h) **Vernachlässigen Sie bei häufiger Arbeit mit Elektrowerkzeugen trotz der Vertrautheit mit den Geräten nicht die Sicherheitsprinzipien.** Fahrlässiges Handeln kann in Sekundenbruchteilen zu schwersten Verletzungen führen.

- 4) **Verwendung und Behandlung des Elektrowerkzeuges**
 - a) **Überlasten Sie das Gerät nicht. Verwenden Sie für Ihre Arbeit das dafür bestimmte Elektrowerkzeug.** Mit dem passenden Elektrowerkzeug arbeiten Sie besser und sicherer im angegebenen Leistungsbereich.
 - b) **Benutzen Sie kein Elektrowerkzeug, dessen Schalter defekt ist.** Ein Elektrowerkzeug, das sich nicht mehr ein- oder ausschalten lässt, ist gefährlich und muss repariert werden.
 - c) **Ziehen Sie den Stecker aus der Steckdose und/oder entfernen Sie den Akku, bevor Sie Geräteeinstellungen vornehmen, Zubehörfteile wechseln oder das Gerät weglegen.** Diese Vorsichtsmaßnahme verhindert den unbeabsichtigten Start des Elektrowerkzeuges.
 - d) **Bewahren Sie unbenutzte Elektrowerkzeuge außerhalb der Reichweite von Kindern auf. Lassen Sie Personen das Gerät nicht benutzen, die mit diesem nicht vertraut sind oder diese Anweisungen nicht gelesen haben.** Elektrowerkzeuge sind gefährlich, wenn sie von unerfahrenen Personen benutzt werden.
 - e) **Pflegen Sie Elektrowerkzeuge mit Sorgfalt. Kontrollieren Sie, ob bewegliche Teile einwandfrei funktionieren und nicht klemmen, ob Teile gebrochen oder so beschädigt sind, dass die Funktion des Elektrowerkzeuges beeinträchtigt ist.** Lassen Sie beschädigte Teile vor dem Einsatz des Gerätes reparieren. Viele Unfälle haben ihre Ursache in schlecht gewarteten Elektrowerkzeugen.
 - f) **Halten Sie Schneidwerkzeuge scharf und sauber.** Sorgfältig gepflegte Schneidwerkzeuge mit scharfen Schneidkanten verklemmen sich weniger und sind leichter zu führen.
 - g) **Verwenden Sie Elektrowerkzeug, Zubehör, Einsatzwerkzeuge usw. entsprechend diesen Anweisungen.** Berücksichtigen Sie dabei die Arbeitsbedingungen und die auszuführende Tätigkeit. Der Gebrauch von Elektrowerkzeugen für andere als die vorgesehenen Anwendungen kann zu gefährlichen Situationen führen.
 - h) **Halten Sie Griffe und Griffflächen trocken, sauber und frei von Fett und Öl.** Rutschige Hände und Griffflächen machen die sichere Handhabung des Werkzeuges in unvorhergesehenen Situationen unmöglich.
- 5) **Service**
 - a) **Lassen Sie Ihr Elektrowerkzeug nur von qualifiziertem Fachpersonal und nur mit Original-Ersatzteilen reparieren.** Damit wird sichergestellt, dass die Sicherheit des Elektrowerkzeuges erhalten bleibt.

Zusätzliche Sicherheitshinweise für Band- und Spindelschleifer



- ⚠️ WARNUNG!**
- **Halten Sie das Elektrowerkzeug nur an den isolierten Griffflächen, da die Messerwelle das eigene Netzkabel treffen kann.** Der Kontakt mit einer spannungsführenden Leitung kann auch metallene Geräteteile unter Spannung setzen und zu einem elektrischen Schlag führen.
 - **Dieses Gerät darf nur unter Verwendung einer Fehlerstromschutzeinrichtung (FI-Schalter) mit einem Bemessungsfehlerstrom von höchstens 30 mA an die Spannungsversorgung angeschlossen werden.**
 - **Falls das Netzkabel ersetzt werden muss, darf dies nur durch den Hersteller oder**

einen seiner zugelassenen Vertreter erfolgen, um Sicherheitsrisiken auszuschließen.

Durch in dieser Betriebsanleitung genannte Warnhinweise, Vorsichtsmaßnahmen und Anweisungen können nicht alle Situationen und Bedingungen abgedeckt werden, die möglicherweise auftreten können. Es muss dem Bediener bewusst sein, dass gesunder Menschenverstand und Vorsicht Faktoren sind, die sich nicht in dieses Gerät einbauen lassen, sondern vom Bediener beigesteuert werden müssen.

Nehmen Sie die Spindelschleifmaschine erst in Betrieb, wenn sie vollständig montiert ist und Sie die nachfolgenden Anweisungen und die Gefahrenhinweise an der Spindelschleifmaschine sorgfältig gelesen und vollständig verstanden haben.

- a) **Überprüfen Sie den Zustand der Schleifmaschine.** Wenn ein Teil fehlt, verbogen ist oder nicht ordnungsgemäß funktioniert, ersetzen Sie dieses Teil vor Gebrauch der Schleifmaschine.
 - b) **Bestimmen Sie die Art der auszuführenden Aufgabe, bevor Sie die Schleifmaschine in Betrieb nehmen.**
 - c) **Sichern Sie Ihr Werkstück.** Stützen Sie das Werkstück gut auf der Tischplatte ab und halten Sie es mit beiden Händen fest.
 - d) **Achten Sie auf die Vorschubrichtung.** Führen Sie das Werkstück der Schleifhülse bzw. dem Schleifband gegen die Drehrichtung der Schleifhülse bzw. des Schleifbands zu.
 - e) **Halten Sie Ihre Hände stets von der Schleifmaschinenbahn und den Schleifhülsen und -bändern fern.** Vermeiden Sie Haltungen, in denen Ihre Hand im Falle eines plötzlichen Abrutschens an die Schleifhülse bzw. das Schleifband geraten kann. Fassen Sie nicht unter das Werkstück oder an die Schleifhülse bzw. das Schleifband, während die Spindel sich dreht.
 - f) **Trennen Sie die Schleifmaschine nach dem Ausschalten vom Stromnetz.** Warten Sie, bis die Spindel zum Stillstand gekommen ist, bevor Sie Wartungsarbeiten durchführen. Die Schleifmaschine muss bei Nichtgebrauch sowie beim Wechseln von Tischeinsätzen, Schleifhülsen, Schleifbändern und anderem Zubehör stets vom Stromnetz getrennt sein.
 - g) **Vergewissern Sie sich, dass sich im zu schleifenden Bereich Ihres Werkstücks keine Nägel oder anderen Fremdkörper befinden.**
 - h) **Verwenden Sie diese Schleifmaschine niemals zum Nassschleifen.** Nichtbefolgen kann zu elektrischem Schlag führen und somit ernsthafte Verletzungen oder schlimmeres verursachen.
 - i) **Verwenden Sie bei der Wartung dieser Schleifmaschine ausschließlich identische Ersatzteile.**
 - j) **Stellen Sie sicher, dass die Spindel zum völligen Stillstand gekommen ist, bevor Sie das Werkstück berühren.**
 - k) **Treffen Sie Vorsichtsmaßnahmen beim Abschleifen bemalter oder lackierter Flächen.** Vom Abschleifen von Bleifarbe wird ausdrücklich abgeraten. Der kontaminierte Staub lässt sich kaum unter Kontrolle bringen und kann zu Bleivergiftung führen.
- Ergreifen Sie daher beim Abschleifen von Farbe bzw. Lack folgende Maßnahmen:**
- a) **Schützen Sie Ihre Lunge.** Tragen Sie eine Staub- oder Atemschutzmaske.
 - b) **Lassen Sie Kinder oder Schwangere nicht den Arbeitsbereich betreten, bis die Schleifarbeits beendet und der Arbeitsbereich gesäubert ist.**
 - c) **Uo bemalte bzw. lackierte Flächen abgeschliffen werden, darf nicht gegessen, getrunken oder geraucht werden.**
 - d) **Verwenden Sie nach Möglichkeit eine Staubabsauganlage.** Decken Sie den Arbeitsbereich mit Schutzfolie ab. Sorgen Sie dafür, dass kein Farbstaub aus dem Arbeitsbereich herausgetragen wird.
 - e) **Reinigen Sie den Arbeitsbereich nach Beendigung des Farb-/Lackabschleifens gründlich.**

Geräteübersicht

1. Bandlaufschraube
2. Bandlösehebel
3. Werkstückanschlag
4. Spindelarretererschraube
5. Werkstückanschlagsfügelmutter
6. Stationärstisch
7. Tischeinlagenaufbewahrung
8. Winkelarretierung
9. Winkelskala
10. Rasteinkerbungen
11. Montagelöcher
12. Ausschalter
13. Einschalter
14. Scheibenaufbewahrung
15. Walzenaufbewahrung
16. Schwenkplatte
17. Bandschleifer
18. Absaugstutzen
19. Winkelarretierung
20. Tischeinlagenaufbewahrung
21. Mutternschlüsselauflaufbewahrung

22. Hintere Aufbewahrungshalterung
23. Bandschleifeinheit
24. Schleifband
25. Schleifhülsen (5 Größen)
26. Tischeinlagen (5 Größen)
27. Spindelmutter
28. Spindelscheiben
29. Tischeinsatz
30. Mutternschlüssel
31. Schleifwalzen (4 Größen)
32. Spindel
33. Spindelschraube

Bestimmungsgemäße Verwendung

Netzbetriebene Schleifmaschine zur Werkbankmontage. Lässt sich wahlweise mit einer rotierenden und höhenzussillierenden Schleifhülse bzw. mit einer Schleifbandeinheit bestücken. Zum Schleifen von gebogenen und geraden Flächen an filigranen ebenso wie größeren Werkstücken. Die schwenkbare Vorderseite der Tischplatte ermöglicht die Kantenbearbeitung wie z.B. beim Anfasen.

Auspacken des Gerätes

- Packen Sie Ihr Gerät vorsichtig aus und überprüfen Sie es. Machen Sie sich vollständig mit allen seinen Eigenschaften und Funktionen vertraut.
- Vergewissern Sie sich, dass sämtliche Teile des Gerätes vorhanden und in einwandfreiem Zustand sind. Sollten Teile fehlen oder beschädigt sein, lassen Sie diese ersetzen, bevor Sie das Gerät verwenden.

Vor Inbetriebnahme

⚠️ WARNUNG! Vergewissern Sie sich stets, dass das Gerät ausgeschaltet und vom Stromnetz getrennt ist, bevor Sie Einstellungsänderungen oder Zubehörwechsel vornehmen.

Werkbankmontage

Für den stationären Einsatz der Spindelschleifmaschine empfiehlt es sich, das Gerät auf einer stabilen Arbeitsfläche zu montieren.

- Markieren Sie die Bohrlocher, indem Sie die Schleifmaschine so platzieren, wie sie befestigt werden soll, und die zu bohrenden Montagelöcher (11) durch die Grundplatte der Schleifmaschine auf der Montagefläche (d.h. beispielsweise Ihrer Werkbank) anzeichnen. Bohren Sie die Löcher in die Arbeitsfläche, setzen Sie die Schleifmaschine auf die Löcher und montieren Sie das Gerät mit passenden Schrauben, Unterlegscheiben und Muttern (nicht mitgeliefert) auf der Werkbank (siehe Abb. I).
- Für den mobilen Einsatz können Sie ein Brett an die Grundplatte Ihrer Schleifmaschine montieren, mit dem sich das Gerät leicht auf unterschiedlichen Arbeitsflächen einspannen und wieder abbauen lässt.
- Achten Sie bei den verwendeten Schrauben darauf, dass diese lang genug sind, um tief und fest in die Werkbank bzw. das Montagebrett einzudringen.
- Hinweis: Verwenden Sie für die Montage selbstsichernde Sechskantmuttern mit Nyloneinsatz oder Federscheiben, um ein selbstständiges Losdrehen durch Vibrationen zu verhindern.

Hinweis: Verwenden Sie niemals Schrauben, die nur unter Kräfteanwendung in die Montagebohrungen geführt werden können. Dadurch wie auch durch übermäßiges Anziehen der Befestigungsmittel können Risse im Kunststoffgehäuse des Gerätes entstehen.

Staubabsaugung

Um ein sauberes und sicheres Arbeitsumfeld zu gewährleisten, wird empfohlen, die Spindelschleifmaschine in Verbindung mit einer Staubabsauganlage zu verwenden.

1. Schließen Sie den Schlauch der Staubabsauganlage an den Absaugstutzen (18) an und vergewissern Sie sich, dass er fest sitzt.
2. Schalten Sie die Staubabsauganlage ein, bevor Sie die Schleifmaschine in Betrieb nehmen, um größtmögliche Wirksamkeit zu erreichen.

Verwendung als Bandschleifer

1. Lösen Sie zum Abnehmen der Spindelschleiferkomponenten die Spindelmutter (27) mit dem Mutternschlüssel (30) und nehmen Sie die Spindelscheibe (28), die Schleifwalze (31), die Tischeinlage (26) und den Tischeinsatz (29) ab.
2. Setzen Sie die Spindelschleiferkomponenten zur Aufbewahrung in die dafür vorgesehenen Halterungen am Gerät, und zwar in die Scheibenaufbewahrung (14), die Walzenaufbewahrung (15), die Tischeinlagenaufbewahrung (7 und 20) und die hintere Aufbewahrungshalterung (22).
3. Setzen Sie anschließend die Bandschleifeinheit (23) gemäß der Abbildung in die Vertiefung am Stationärstisch (6) und fixieren Sie sie durch Anziehen der Spindelschraube (33).
4. Bringen Sie bei Bedarf den Werkstückanschlag (3) mithilfe der Werkstückanschlagsfügelmutter (5) am Gerät an.
5. Wenn kein Schleifband (24) montiert ist, schieben Sie den Bandlösehebel (2) zur Spindelschraube, um das Schleifband aufziehen zu können. Dieser Mechanismus steht

unter Federspannung, damit eine kontrollierte Bewegung gewährleistet ist und auf diese Weise Schäden verhindert werden.

- Richten Sie das Schleifband zum Aufziehen gleichmäßig und in der richtigen Höhe auf der Hauptlaufrille der Bandschleifeinheit aus. Achten Sie dabei auf die richtige Ausrichtung des Schleifbands (siehe Abb. A) und vergewissern Sie sich, dass die Drehrichtung in Pfeilrichtung verläuft.
- Schieben Sie den Bandlösehebel zum Fixieren des Schleifbands zurück zur Bandaufschraube (1).
- Schließen Sie das Gerät wieder ans Stromnetz an und schalten Sie es ein. Kontrollieren Sie das Schleifband auf korrekten Lauf. Falls dies nicht der Fall ist, schalten Sie das Gerät sofort aus und schieben Sie das Schleifband auf der Laufrille hoch bzw. herunter.

BandlaufEinstellung

Der Bandlauf lässt sich mithilfe der Bandaufschraube justieren. Falls sich das Schleifband langsam schiebt, muss es über die Bandaufschraube minimal angepasst werden. Falls sich das Schleifband jedes Mal beim Abschalten des Gerätes stark verschoben hat, ändern Sie die Schleifbandhöhe mithilfe des Bandlösehebels, bis sich das Schleifband wieder auf der richtigen Höhe befindet. Nehmen Sie anschließend kleinere Änderungen mithilfe der Bandaufschraube vor.

- Um das Schleifband nach oben zu verstellen, drehen Sie die Bandaufschraube im Uhrzeigersinn. Um es nach unten zu verschieben, drehen Sie es im Gegenuhrzeigersinn.
- Die Bandaufschraube verfügt über einen Justierbereich. Wählen Sie bei gleichmäßigem Bandlauf den mittleren Bereich, damit auch bei Belastung ein mittiger Bandlauf gewährleistet ist.

Hinweis: Wenn das Schleifband aufgrund eines nicht korrekten Bandlaufs an der Oberfläche der Stationärschleifensparung schleift, wird es dadurch beschädigt. Es ist einfacher, den Bandlauf anzupassen, der das Schleifband nach oben wandern lässt, als den nach unten, denn ein sich nach oben verschiebendes Schleifband führt nicht zu Schäden an der Schleifbandkante. Nehmen Sie eine starke Anpassung im Uhrzeigersinn an der Bandaufschraube vor und anschließend kleinere Anpassungen im Gegenuhrzeigersinn, um die Schleifbandhöhe zu verringern.

Verwendung als Spindelschleifer

Schleifhülse auswählen

- Im Fachhandel sind Schleifhülsen in unterschiedlichen Körnungen erhältlich. Die gebräuchlichsten Körnungen sind grob (80er-Körnung), mittel (150er-Körnung) und fein (240er-Körnung).
- Die grobe Körnung dient zum groben Abschleifen, die mittlere zum Glätten der Oberfläche und die feine für die Endbearbeitung.
- Verwenden Sie stets qualitativ hochwertige Schleifhülsen, um bestmögliche Schleifergebnisse zu erzielen.
- Nehmen Sie stets einen Probelauf auf einem Reststück vor, um die für die jeweilige Aufgabe am besten geeignete Körnung zu bestimmen.

Falls das Werkstück nach dem Schleifen noch Spuren aufweist, bearbeiten Sie es erneut mit einer gröberen Schleifhülse, um die Spuren zu beseitigen, bevor Sie mit der ursprünglich gewählten Schleifhülse fortfahren. Stattdessen können Sie zum Entfernen der unerwünschten Spuren auch eine neuere Schleifhülse verwenden und dann zur Endbearbeitung auf eine feinere Körnung übergehen.

Schleifhülse anbringen

- Entfernen Sie den Bandschleifer (17), indem Sie die Spindelschraube (33) abschrauben und anschließend den Bandschleifer vom Stationärschlüssel (6) abnehmen. Lagern Sie ihn in der hinteren Aufbewahrungshalterung (22).
- Wählen Sie mithilfe der nachstehenden Tabelle die passenden Komponenten aus.
- Installieren Sie die Komponenten gemäß der Abbildung (siehe Abb. II).
- Ziehen Sie die Spindelmutter (27) mit dem Mutternschlüssel (30) an, damit die Schleifhülse nicht während des Betriebs verrutschen kann. Ziehen Sie sie jedoch nicht zu fest an.
- Bringen Sie bei Bedarf den Werkstückanschlag (3) mithilfe der Werkstückanschlagsflügelmutter (5) am Gerät an.

Hinweis: Es wird empfohlen, die Spindelmutter (27) zu verwenden. Wenn jedoch häufig zwischen Bandschleif- und Spindelschleifmodus gewechselt wird, kann die Spindelschraube (33) verwendet werden, solange die Schleifhülse auf diese Weise ausreichend fest sitzt. Dies ist von der Passform der verwendeten Schleifhülse und -walze abhängig.

ACHTUNG! Mithilfe der nachfolgenden Tabelle lässt sich bestimmen, welche Tischeinlage und Schleifwalze mit der jeweiligen Schleifhülse zu verwenden ist.

Größen- und Kompatibilitätsübersicht

Hinweise

- Mit Ausnahme der kleinsten, 13 mm großen Schleifhülse passen alle Schleifhülsen (25) auf die zugehörige Schleifwalze (31).
- Wenn die Schleifhülse so eingesetzt wird, dass sich die stärker abgenutzte Schleiffläche oben befindet, ist eine gleichmäßige Abnutzung gewährleistet und die Standzeit der Schleifhülse wird maximiert.
- Falls sich die Schleifhülse bei Inbetriebnahme des Gerätes auf der Schleifwalze dreht, muss die Spindelmutter (27) fester angezogen werden, damit die Schleifwalze in die

Schleifhülse greifen kann.

- Beim Einschalten der Schleifmaschine darf die Schleifhülse die Tischeinlage nicht berühren.

ACHTUNG! Verwenden Sie keine übermäßig abgenutzten Schleifhülsen. Andernfalls droht eine starke Wärmeentwicklung, wodurch die Schleifwalze Schaden nehmen kann. Aufgrund abgenutzter Schleifhülsen beschädigte Schleifwalzen sind nicht durch die Garantie abgedeckt.

ACHTUNG! Wird nicht die richtige Tischeinlage (26) mit der entsprechenden Schleifhülse verwendet, so besteht die Gefahr eingeklemmter Finger. Zudem kann das Werkstück auf diese Weise nach unten zwischen die Tischeinlage und die Schleifhülse geraten. Die Schleifhülse sollte genau, d.h. ohne Spiel, in die mittige Aussparung der Tischeinlage passen.

Tischplatte schwenken

Die Schwenkplatte (16) lässt sich bis 45° neigen und ermöglicht müheloses Anfasen ebenso wie andere Arten der Kantenbearbeitung.

- Lösen Sie die beiden Winkelarretierungen (8 und 19) seitlich am Gerät.
- Bringen Sie die Schwenkplatte in den gewünschten Winkel und orientieren Sie sich dabei an der Winkelskala (9). Für gängige Winkelpositionen gibt es Rasteinkerbungen (10) bei 0°, 15°, 22,5°, 30° und 45°.
- Ziehen Sie zum Fixieren der Schwenkplatte in der gewünschten Position die beiden Winkelarretierungen wieder an.

Schleifhülse (25)	Schleifwalze (31)	Tischeinlage (26)	Spindelscheibe (28)
13mm	/	13mm	klein
19mm	klein	19mm	mittel
26mm	mittel	26mm	mittel
38mm	groß	38mm	mittel
51mm	sehr groß	51mm	groß

Bedienung

⚠️ WARNUNG! Tragen Sie bei der Arbeit mit diesem Gerät stets Augen-, Atem- und Gehörschutz sowie geeignete Schutzhandschuhe.

⚠️ WARNUNG! Vergewissern Sie sich, dass Ihre Kleidung und Ihre Schutzhandschuhe keine losen Fäden aufweisen. Diese könnten von der rotierenden Spindel erfasst werden und Ihre Hand oder Ihren Kopf an die sich drehende Spindel ziehen und dadurch schwere Verletzungen verursachen. Es wird empfohlen, nicht auf Textil basierende Schutzhandschuhe zu verwenden.

Ein- und Ausschalten

Warnhinweis: Vergewissern Sie sich vor Einschalten des Gerätes, dass kein Kontakt zwischen Schleifhülse und Tischeinlage bzw. Schleifband und Tischfläche besteht.

- Betätigen Sie zum Einschalten den vorne an der Schleifmaschine befindlichen Einschalter (13).
- Betätigen Sie zum Abschalten der Schleifmaschine den Ausschalter (12).

Schleifen

WARNUNG! Schleifen Sie mit dieser Schleifmaschine kein Metall. Das Schleifen von Metall führt zu Funkenbildung, die Holz und Staubpartikel auf der Schleifmaschine oder im Arbeitsbereich entzünden können.

Hinweis: Spindel und Schleifband drehen sich im Gegenuhrzeigersinn.

- Vergewissern Sie sich, dass das Gerät sicher auf der Werkbank montiert ist.
- Stellen Sie sicher, dass Sie angemessene Sicherheitsausrüstung einschließlich Gesichtsmaske und Schutzbrille tragen. Schalten Sie dann – wenn vorhanden – die Staubabsauganlage ein.
- Schalten Sie die Schleifmaschine ein und warten Sie, bis der Motor seine volle Drehzahl erreicht hat.

WARNUNG! Führen Sie das Werkstück der Schleifhülse (siehe Abb. D) bzw. dem Schleifband langsam gegen die Drehrichtung zu. Bei Nichtbefolgen könnte das Werkstück von der Schleifhülse bzw. dem Schleifband weggedrückt werden und ein Verletzungsrisiko entstehen. Wenden Sie keine Gewalt an und üben Sie keinen übermäßigen Druck auf das Werkstück aus.

- Verwenden Sie nach Möglichkeit den Werkstückanschlag (3).
- Schalten Sie das Gerät nach Beendigung der Arbeit aus und trennen Sie es vom Stromnetz.

Zubehör

Ein umfassendes Sortiment an Zubehör und Verschleißteilen einschließlich den Schleifhülsen TSS80G, TSS150G und TSS240G ist über Ihren Triton-Fachhändler erhältlich. Ersatzteile können unter toolspareonline.com bezogen werden.

Instandhaltung

WARNUNG! Stellen Sie stets sicher, dass das Gerät ausgeschaltet und der Netzstecker gezogen ist, bevor Sie Inspektions-, Wartungs- oder Reinigungsarbeiten daran vornehmen.

- Eventuelle Schäden an diesem Gerät müssen durch Fachpersonal repariert und das Gerät vor dem Gebrauch erneut sorgfältig überprüft werden.
- Lassen Sie Ihr Elektrowerkzeug durch Fachpersonal unter ausschließlicher Verwendung von identischen Ersatzteilen warten. Dadurch wird die Sicherheit des Gerätes erhalten.

Allgemeine Inspektion

Überprüfen Sie regelmäßig, dass alle Befestigungsschrauben fest sitzen. Sie können sich mit der Zeit durch Vibration lösen.

Netzkabelwartung

Wenn das Netzkabel ersetzt werden muss, darf dies nur durch den Hersteller, einen seiner Vertreter oder eine zugelassene Vertragswerkstatt geschehen, um Sicherheitsrisiken zu vermeiden.

Reinigung

1. Entfernen Sie regelmäßig Staub und Schmutz. Blasen oder saugen Sie Staub häufig von allen Geräteteilen und dem Motorgehäuse ab.
2. Nehmen Sie in regelmäßigen Abständen die Tischeinlage und die untere Scheibe von der Spindel und entfernen Sie angesammelten Staub aus dem Bereich der Tischeinlage.
3. Schmieren Sie alle beweglichen Geräteteile in regelmäßigen Abständen.
4. Reinigen Sie die Kunststoffteile niemals mit ätzenden Reinigungsmitteln.

Verwenden Sie zur Reinigung der Kunststoffteile keine scharfen Reinigungsmittel, sondern ein mildes Spülmittel und einen feuchten Lappen. Das Gerät darf niemals mit Wasser in Berührung kommen.

Kohlebürstenwechsel

- Mit der Zeit unterliegen die Kohlebürsten des Motors dem Verschleiß.
 - Wenn der Verschleiß der Bürsten fortgeschritten ist, kann dadurch die Motorleistung abnehmen, die Maschine kurzzeitig ausfallen oder es kann zu sichtbarer Funkenbildung kommen.
 - Kohlebürsten wechseln:
1. Legen Sie die Schleifmaschine vorsichtig auf die Seite und entfernen Sie die Halteschrauben an der Grundplattenabdeckung, um sich so Zugriff auf den Motor zu verschaffen.
 2. Säubern Sie behutsam das Innengehäuse, falls sich an der Grundplattenabdeckung Holzstaubrückstände befinden.
 3. Lösen Sie die beiden Halteschrauben an der Kohlebürstenabdeckung (siehe Pfeil auf Abb. E) und nehmen Sie die Abdeckung ab.

4. Nehmen Sie die Kohlebürste samt Halterung vorsichtig heraus (siehe Abb. F).
5. Trennen Sie den Draht an der Kohlebürsteneinheit und entnehmen Sie die Kohlebürste.
6. Setzen Sie die neue Kohlebürste ein und schließen Sie den Draht wieder an.
7. Setzen Sie die Kohlebürsteneinheit wieder ein und achten Sie dabei darauf, dass die kleine Haltenase richtig sitzt (siehe Pfeil auf Abb. F).
8. Bringen Sie die Kohlebürstenabdeckung wieder an und setzen Sie die Schrauben wieder ein.
9. Wiederholen Sie die Schritte 3–8 für die andere Kohlebürsteneinheit. Kohlebürsten müssen immer paarweise gewechselt werden.
10. Legen Sie die Grundplattenabdeckung wieder auf und fixieren Sie sie.
 - Das Gerät kann stattdessen auch von einem zugelassenen Vertragskundendienst gewartet werden.

Kontakt

Informationen zu Reparatur- und Kundendiensten erhalten Sie unter der Rufnummer (+44) 1935/382222.

Webseite: tritontools.com/en-GB/Support

Postanschrift:

Powerbox
Boundary Way
Lufton Trading Estate
Yeovil, Somerset
BA22 8HZ
Großbritannien

Lagerung

- Gerät an einem sicheren, trockenen Ort außerhalb der Reichweite von Kindern lagern. Beschränken Sie bei stationär in einer Werkstatt oder Garage montiertem Gerät den Zugang zum Standort, um eine Inbetriebnahme des Gerätes durch Kinder zu verhindern.

Entsorgung

Beachten Sie bei der Entsorgung von defekten und nicht mehr reparablen Elektrowerkzeugen die geltenden Vorschriften und Gesetze.

- Elektrowerkzeuge und andere elektrische und elektronische Altgeräte nicht über den Hausmüll entsorgen.
- Lassen Sie sich von der zuständigen Behörde bezüglich der ordnungsgemäßen Entsorgung von Elektrowerkzeugen beraten.

Fehlerbehebung

Störung	Mögliche Ursache	Empfohlene Abhilfe
Kein Betrieb bei Betätigung des Ein-/Ausschalters	Kein Strom	Stromversorgung überprüfen
	Ein-/Ausschalter defekt	Ein-/Ausschalter von einem zugelassenen Triton-Kundendienst ersetzen lassen
Schleifhülse (25) dreht sich nicht mit der Schleifwalze (31)	Spindelmutter (27) nicht fest genug angezogen	Spindelmutter schrittweise anziehen, bis die Schleifwalze die Schleifhülse fixiert sind
Schleifband ändert während des Betriebs die Höhe	BandlaufEinstellung falsch	Siehe Abschnitt „BandlaufEinstellung“
Starke Staubentwicklung	Staubabzug blockiert	Gerät abschalten und vom Stromnetz trennen. Spindelschleiferkomponenten bzw. Bandschleifereinheit abnehmen und Verstopfung aus dem Staubburchlass entfernen
	Falsche Tischeinlage verwendet	Tischeinlage in der richtigen Größe verwenden
Schleifwalze läuft nicht bei voller Geschwindigkeit oder anomale Motorgeräusche	Motor überhitzt	Gerät abschalten und 30 Min. abkühlen lassen
	Motor defekt	An zugelassenen Triton-Kundendienst wenden
	Kohlebürsten müssen ersetzt werden	Siehe Abschnitt „Kohlebürstenwechsel“

Garantie

Zur Anmeldung Ihrer Garantie besuchen Sie bitte unsere Website www.tritontools.com* und tragen dort Ihre persönlichen Daten ein.

Ihre Angaben werden (wenn nicht anders angewiesen) in unseren elektronischen Verteiler aufgenommen, damit Sie Information über zukünftige Produkteinführungen erhalten. Die von Ihnen bereitgestellten Angaben werden nicht an Dritte weitergegeben.

Kaufinformation

Kaufdatum: ___/___/___

Modell: TSPST450 Bewahren Sie bitte Ihren Beleg als Kaufnachweis auf.

EG-Konformitätserklärung

Name des Unterzeichners: Mr. Darrell Morris

Bevollmächtigt durch: Triton

Erklärt hiermit Folgendes: Die alleinige Verantwortung für die Ausstellung dieser Erklärung trägt der Hersteller. Der Gegenstand der Erklärung erfüllt die einschlägigen Harmonisierungsrechtsvorschriften der Gemeinschaft.

Produktkennung: TSPST450

Produktbezeichnung: Spindel- und Bandschleifer, 450 W

Entspricht den folgenden Richtlinien und Normen:

- Maschinenrichtlinie 2006/42/EG
- EMV-Richtlinie 2014/30/EU
- RoHS-Richtlinie 2011/65/EU
- EN 61029-1:2009+A11:2010
- EN ISO 12100:2010
- EN 55014-1:2006+A2:2011
- EN 55014-2:1997+A2:2008
- EN 61000-3-2:2014
- EN 61000-3-3:2013

Triton garantiert dem Käufer dieses Produkts, dass Triton, wenn sich Teile dieses Produkts innerhalb von 3 Jahren ab Originalkaufdatum infolge fehlerhafter Materialien oder Arbeitsausführung als defekt erweisen, das mangelhafte Teil nach eigenem Ermessen entweder kostenlos reparieren oder ersetzen wird.

Diese Garantie gilt nicht für kommerzielle Verwendung und erstreckt sich nicht auf normalen Verschleiß oder Schäden infolge von Unfall, Missbrauch oder unsachgemäßer Verwendung.

*Bitte registrieren Sie sich innerhalb von 30 Tagen nach dem Kauf online.

Es gelten die allgemeinen Geschäftsbedingungen.

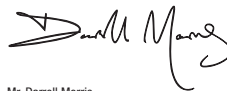
Ihre gesetzlich festgelegten Rechte werden dadurch nicht eingeschränkt.

Benannte Stelle: TÜV SÜD

Techn. Unterlagen bei: Triton

Datum: 22/10/2018

Unterzeichnet von:



Mr. Darrell Morris,

Geschäftsführender Direktor

Name und Anschrift des Herstellers:

Powerbox International Limited, Handelsregisternummer 06897059. Eingetragene Anschrift:

Powerbox, Boundary Way, Lufton Trading Estate, Yeovil, Somerset BA22 8HZ, Großbritannien

Traduzione delle istruzioni originali

Introduzione

Grazie per aver deciso di acquistare questo accessorio Triton. Questo manuale contiene informazioni necessarie per un uso sicuro ed efficace del prodotto. Questo prodotto ha caratteristiche uniche, e anche se si ha familiarità con prodotti simili sarà comunque necessario leggere il manuale al fine di comprendere appieno le caratteristiche di funzionamento del dispositivo stesso. Verificare che tutti gli utenti dello strumento leggano ed comprendano il presente manuale nella sua interezza.

Descrizione dei simboli

La targhetta di identificazione sul dispositivo presenta vari simboli. Questi simboli indicano informazioni importanti relativamente al prodotto o indicazioni per l'uso.



Usare la protezione acustica
Indossare occhiali protettivi
Indossare protezione respiratoria
Indossare il casco



Indossare la protezione delle mani



Leggere il manuale di istruzioni



Attenzione!



Unicamente per uso in spazi chiusi!



Fumi o gas tossici!



Scollegare sempre dalla sorgente di alimentazione in fase di regolazione, sostituzione degli accessori, pulizia, esecuzione degli interventi di manutenzione e quando il dispositivo non è in uso.



Sistema di estrazione della polvere richiesto o consigliato



Costruzione di classe II (doppio isolamento per conferire una protezione ancora maggiore)



Protezione Ambientale I rifiuti di prodotti elettrici non devono essere smaltiti con i rifiuti domestici. Nel caso in cui esistano strutture, provvedere al riciclaggio. Verificare con le autorità locali o il rivenditore per consigli sul riciclaggio.



Conforme alle normative pertinenti e gli standard di sicurezza.

Abbreviazioni tecniche e legenda dei simboli

V	Volt
Hz	Hertz
~, CA	Corrente alternata
==, CC	Corrente continua
n ₀	Velocità in assenza di carico
A, mA	Ampere, milli-Amp
W, kW	Watt, kilowatt
/min or min ⁻¹	Operazioni al minuto
n	Velocità nominale
opm	Orbite od oscillazioni al minuto
spm	Colpi al minuto
°	Gradi
dB(A)	Livello audio decibel (ponderato A)
Ø	Diametro
m/s ²	Metri per secondo quadrato (magnitudo di vibrazione)

Specifiche Tecniche

Numero modello:	TSPST450
Tensione:	230 V~, 50 Hz
Tensione:	450 W
Velocità a vuoto (mandrino):	2000/min.
Velocità nastro:	480/min.
Oscillazioni:	58 opm
Lunchezza corsa:	16 mm
Dimensioni manicotti di levigatura:	di diametro 13, 19, 26, 38, 51 mm
Dimensioni nastro:	100 x 610 mm
Presca anti-polvere (diametro esterno) :	38 mm
Dimensioni piano da lavoro (L x I):	430 x 410 mm
Dimensioni piano da lavoro inclinabile (L x I):	220 x 410 mm
Inclinazione tavola:	0-45°
Inclinazione intaglio:	0°, 15°, 22,5°, 30° e 45°
Dimensioni mandrino:	Filettatura 12,7 mm x 1,5 mm
Classe di protezione:	
Protezione di ingresso	IP20
Dimensioni (L x I x H):	390 x 330 x 450 mm
Peso:	12,9 kg
Nell'ambito del nostro sviluppo continuo del prodotto, le specifiche dei prodotti Triton possono subire variazioni senza preavviso.	

Informazioni su suoni e vibrazioni

Pressione sonora L_{pA} :	76 dB(A)
Potenza sonora L_{WA} :	89 dB(A)
Tolleranza K:	3 dB
Il livello di intensità sonora per l'operatore potrebbe superare i 85 dB(A) e potrebbe quindi essere necessario indossare protezioni per l'udito.	

AVVERTENZA: Indossare sempre una protezione uditiva nel caso in cui il livello sonoro superi gli 85dB(A) e, ove necessario, limitare il limite dell'esposizione. Qualora i livelli sonori risultino fastidiosi, anche indossando le apposite protezioni, interrompere immediatamente l'uso del dispositivo e controllare che le protezioni acustiche siano inserite nel modo adeguato e forniscono il livello adeguato di attenuazione sonora rispetto al livello sonoro prodotto dal dispositivo.

AVVERTENZA: L'esposizione dell'utente alle vibrazioni del dispositivo può causare la perdita di tatto, intorpidimento, pizzicore e riduzione dell'abilità di impugnare oggetti. L'esposizione a lungo termine può causare condizioni croniche. Ove necessario, limitare il periodo di esposizione alle vibrazioni e indossare guanti anti-vibrazioni. Non usare il dispositivo con le mani sotto a una temperatura accettabile, dato che le vibrazioni avranno un impatto maggiore. Usare le cifre indicate nella specifica relativa alle vibrazioni per calcolare la durata e la frequenza di funzionamento del dispositivo.

I livelli sonori e i livelli delle vibrazioni indicati nella specifica sono determinati conformemente a EN60745 o a standard internazionali simili. Le cifre indicano un uso normale dello strumento in condizioni operative normali. Uno strumento a cui viene applicata scarsa manutenzione, montato in modo errato o utilizzato in modo anomalo, può produrre livelli più elevati di rumore e vibrazioni. www.osha.europa.eu fornisce informazioni sui livelli sonori e sui livelli di vibrazioni sul posto di lavoro, informazioni che si potrebbero rivelare utili agli utenti domestici che si servono di questi strumenti per lunghi periodi di tempo.

Avvertenze di sicurezza generali per gli elettrotensili

ATTENZIONE: Leggere ed assimilare tutte le istruzioni. La non osservanza dei seguenti istruzioni può causare scosse elettriche, incendi e/o lesioni gravi.

Conservare tutte le avvertenze di pericolo e le istruzioni operative per ogni esigenza futura. Il termine "elettrotensile" si riferisce all'utensile a rete fissa (con filo) o un utensile a batteria (senza filo).

1. Area di lavoro.

- Mantenere l'area di lavoro pulita e adeguatamente illuminata.** Il disordine e le zone di lavoro possono essere fonte di incidenti.
- Non usare gli elettrotensili in presenza di atmosfere esplosive, come liquidi, gas e polveri infiammabili.** Gli elettrotensili producono scintille che potrebbero accendere le polveri o i fumi.
- Tenere altre persone e i bambini a distanza di sicurezza durante l'impiego dell'utensile elettrico.** Eventuali distrazioni potrebbero far perdere il controllo dell'utensile all'operatore.

2. Sicurezza elettrica

- Le spine degli elettrotensili devono essere compatibili con le prese di corrente. Non modificare in alcun modo la spina dell'elettrotensile.** Non usare adattatori con gli elettrotensili dotati di collegamento di messa a terra. L'uso delle spine originali non modificate e delle prese corrispondenti ridurrà il rischio di scosse elettriche.
- Evitare il contatto del corpo con le superfici collegate a massa come i tubi, i radiatori, le cucine e i frigoriferi.** Se il corpo dell'operatore è collegato alla terra o alla massa il rischio di scosse elettriche è maggiore.
- Non esporre gli elettrotensili alla pioggia e non lasciarli in ambienti umidi o bagnati.** L'ingresso dell'acqua in una macchina utensile aumenta il rischio di scosse elettriche.
- Non usare il cavo in modo improprio. Non afferrare mai il cavo per trasportare, tirare o staccare l'elettrotensile dalla presa di corrente.** Tenere il cavo lontano da fonti di calore, olio, e sostanze affini, bordi appuntiti o parti in movimento. I cavi danneggiati o attorcigliati aumentano il rischio di scosse elettriche.
- Qualora si voglia usare l'utensile all'aperto, usare cavi di prolunga compatibili con l'uso in ambienti esterni.** Un cavo idoneo all'uso in ambienti esterni riduce il rischio di scosse elettriche.
- Se l'utilizzo di un elettrotensile in ambiente umido è inevitabile, utilizzare una fonte di alimentazione protetta da un dispositivo differenziale.** L'uso di un dispositivo differenziale riduce notevolmente il rischio di scosse elettriche.

3. Sicurezza personale

- Quando si usa un elettrotensile lavorare sempre con la massima attenzione e concentrazione, lasciandosi guidare dal buon senso.** Non usare mai un elettrotensile quando si è stanchi o sotto l'effetto di medicinali e/o sostanze alcoliche o stupefacenti. Quando si usa un elettrotensile un attimo di distrazione è sufficiente a causare gravi lesioni alle persone.
- Usare dispositivi per la protezione personale. Indossare sempre protezioni per**

gli occhi. I dispositivi per la sicurezza personale, come le mascherine antipolvere, le calzature di sicurezza antiscivolo, il casco e la cuffia, se usati in maniera appropriata, riducono i rischi di lesioni alle persone.

- Evitare l'avviamento accidentale. Garantire che l'interruttore è in posizione arresto (OFF) prima di attaccare la presa e/o batteria, prendere in mano o trasportare l'utensile.** Trasportare gli elettrotensili con il dito al di sopra dell'interruttore o attaccando l'elettrotensile con l'interruttore acceso, aumenta il rischio di incidenti.
- Rimuovere tutte le chiavi di regolazione e le chiavi inglesi prima di accendere l'elettrotensile.** Una chiave inglese o una chiave di regolazione collegata a una parte in movimento dell'elettrotensile potrebbe causare lesioni alle persone.
- Non andare oltre l'altezza consentita. In qualsiasi momento mantenere i piedi poggiati su superfici solide e un punto di appoggio sicuro.** Un buon equilibrio consente di avere il massimo controllo sull'elettrotensile nelle situazioni inaspettate.
- Vestirsi con abbigliamento adeguato. Non indossare abiti larghi o gioielli. Tenere i capelli, vestiti e guanti lontano da parti in movimento.** Vestiti lenti, gioielli o capelli lunghi possono impigliarsi nelle parti in movimento.
- Se il dispositivo utilizzato è dotato di una bocchetta per l'aspirazione della polvere accertarsi che sia collegato e utilizzato correttamente.** L'uso di tali dispositivi riduce i rischi correlati alle polveri.
- Maneggio ed impiego accurato di utensili elettrici**
 - Non forzare l'elettrotensile. Usare sempre l'elettrotensile corretto per il lavoro da eseguire.** L'elettrotensile corretto sarà in grado di svolgere il lavoro in modo più efficiente e sicuro nell'ambito della gamma di potenza indicata.
 - Non usare l'elettrotensile se l'interruttore di accensione non si accende e si spegne.** Gli elettrotensili con un interruttore di accensione difettoso sono pericolosi e devono essere riparati immediatamente.
 - Staccare la spina dalla presa di corrente prima di effettuare qualsiasi regolazione, sostituire gli accessori o riporre gli attrezzi a motore.** Queste misure di sicurezza preventive riducono il rischio di avvio involontario.
 - Conservare l'elettrotensile fuori dalla portata dei bambini e non lasciare che venga utilizzato da persone non adeguatamente addestrate e competenti nell'uso degli elettrotensili o che non abbiano letto questo manuale di istruzioni.** Gli elettrotensili diventano estremamente pericolosi nelle mani di persone non addestrate.
 - Mantenere gli elettrotensili. Controllare per disallineamento o la legatura delle parti in movimento, la rottura di parti e altre condizioni che possono influire il funzionamento dell'apparecchio.** In caso di danneggiamento, fare riparare prima dell'uso. Molti incidenti sono causati da una scarsa manutenzione dell'utensile.
 - Mantenere le lame pulite e affilate.** Gli utensili da taglio tenuti in buone condizioni operative e con i bordi taglianti affilati sono meno soggetti a bloccarsi e più facili da controllare.
 - Utilizzare l'elettrotensile e tutti i componenti e gli accessori in conformità con le istruzioni di questo manuale e nella maniera prevista per ciascun tipo di utensile, tenendo conto delle condizioni lavorative e del compito da eseguire.** L'utilizzo degli elettrotensili per fini diversi da quelli previsti rappresenta un rischio per le persone.
- Servizio**
 - Fate revisionare il vostro utensile elettrico da un tecnico qualificato utilizzando parti di ricambio identiche.** Questo farà sì che la sicurezza dell'elettrotensile viene mantenuta.

Sicurezza della levigatrice a mandrino oscillante



- Tenere il dispositivo unicamente per le maniglie isolate o le superfici di impugnatura, dato che il nastro abrasivo/ il foglio abrasivo potrebbe entrare in contatto col cavo di alimentazione.** Tagliare un cavo "sotto tensione" può esporre le componenti metalliche del dispositivo "sotto tensione", ciò potrebbe dunque trasmettere una scossa elettrica all'operatore.
- Consigliamo di alimentare sempre il dispositivo tramite un dispositivo di corrente residua con una corrente residua nominale pari o inferiore a 30 mA.**
- Qualora sia necessario provvedere alla sostituzione del cavo di alimentazione, sarà opportuno rivolgersi al produttore o al suo agente al fine di evitare pericoli a livello di sicurezza.**

Le avvertenze, precauzioni e le istruzioni discusse in questo manuale non possono coprire tutte le possibili condizioni e situazioni che possono verificarsi. L'operatore deve capire che il buon senso e cautela sono fattori che non possono essere incorporate in questo prodotto, ma deve essere fornita dall'operatore.

Non utilizzare la levigatrice a mandrino finché non è completamente assemblata e non prima di aver letto e compreso le seguenti istruzioni e le etichette di avvertimento sulla levigatrice a mandrino.

- Controllare lo stato della levigatrice a mandrino.** Qualora una qualsiasi componente fosse mancante, piegata, o non funzioni correttamente, sostituire il pezzo prima di utilizzare la levigatrice.
- Determinare il tipo di lavoro che si sta per fare prima di utilizzare la levigatrice a mandrino.**
- Fissare il pezzo da sottoporre a lavorazione.** Sostenere il pezzo in modo sicuro sul banco, e tenerlo con entrambe le mani.

- d) **Prestare attenzione alla direzione di inserimento.** Inserire il pezzo di lavoro gradualmente, CONTRO il senso di rotazione, sul maniccotto di levigatura.
- e) **Tenere sempre le mani al di fuori del percorso della levigatrice e lontano dai maniccotti di levigatura.** Evitare posizioni delle mani, dove una scivolata improvvisa potrebbe causare uno spostamento della mano dal mandrino. Non estendere le mani al di sotto del pezzo in lavorazione o al di sopra del maniccotto abrasivo, mentre il mandrino è in rotazione.
- f) **Al termine del lavoro, spegnere la macchina e scollegare dalla rete elettrica.** Attendere che il mandrino smetta di girare prima di eseguire interventi di manutenzione. La levigatrice deve essere scollegata quando non in uso o quando si sostituiscono piastre d'insero, maniccotti di levigatura, mandrini di gomma, o altri oggetti.
- g) **Assicurarsi che non vi siano chiodi o altri corpi estranei nella zona del pezzo da sottoporre a levigatura.**
- h) **Non usare mai questa levigatrice per levigatura a umido.** Il mancato rispetto può causare scosse elettriche, causando lesioni gravi o episodi più gravi.
- i) **Servirsi unicamente di componenti di ricambio identiche in fase di esecuzione di interventi di manutenzione su questa levigatrice a mandrino.**
- j) **Assicurarsi che il mandrino si trovi a un punto di arresto completo prima di toccare il pezzo da sottoporre a lavorazione.**
- k) **Prendere precauzioni quando si esegue la levigatura di superfici verniciate.** La levigatura a base di piombo vernice è **SCONSIGLIATO**. La polvere contaminata è troppo difficile da controllare, e potrebbe causare avvelenamento.

Levigatura su vernice:

- a) **Proteggere i polmoni.** Indossare una mascherina anti-polvere o un respiratore.
- b) **Non consentire ai bambini o alle donne incinta di sostare nell'area fino a che l'intervento di levigatura su vernice non sarà completato e non saranno state eseguite le operazioni di pulizia.**
- c) **Non mangiare, bere o fumare nell'area in cui vengono eseguiti interventi di questo tipo.**
- d) **Ove possibile, servirsi di un sistema di raccolta delle polveri.** Sigillare l'area servendosi di plastica. Non portare la polvere della vernice al di fuori dell'area di lavoro.
- e) **Pulire interamente l'area in cui si sta eseguendo l'intervento di levigatura.**

Acquisire familiarità col prodotto

1. Regolatore nastro
2. Leva di sblocco nastro
3. Blocco pezzo
4. Blocco mandrino
5. Dado a farfalla blocco pezzo
6. Piano di lavoro rigido
7. Comparto placca guida
8. Scala di angolazioni
9. Indicatore dell'angolo del piano da lavoro
10. Regolatore inclinazione piano da lavoro
11. Fori di montaggio
12. Interruttore Off
13. Interruttore On
14. Comparto rondelle
15. Comparto tamburo
16. Piano da lavoro inclinabile
17. Levigatrice a nastro
18. Porta estattore polvere
19. Regolatore angolo di inclinazione
20. Comparto placca guida
21. Comparto chiave
22. Comparto posteriore
23. Unità nastro di levigazione
24. Nastro di levigazione
25. Maniccotti di levigazione (5 dimensioni)
26. Placca guida (5 dimensioni)
27. Dado del mandrino
28. Rondelle mandrino (3 dimensioni)
29. Inserto del piano da lavoro
30. Chiave
31. Tamburo del mandrino (4 dimensioni)
32. Mandrino
33. Blocco del mandrino


Uso previsto

Levigatrice montata su banco con tamburo di levigatura rotante e ad altezza oscillante. Per la levigatura di superfici curve e dritte su pezzi complessi e di grandi dimensioni. La parte frontale del piano da lavoro, inclinabile, permette di levigare e smussare gli angoli.

Disimballaggio dell'utensile

- Disimballare con attenzione e procedere a un'ispezione della nuova levigatrice. Acquisire familiarità con tutte le caratteristiche e funzioni
- Verificare che tutte le componenti del dispositivo siano presenti e in buone condizioni. Qualora eventuali componenti siano mancanti o danneggiate, provvedere alla sostituzione delle stesse prima di iniziare a usare il dispositivo

Prima dell'uso

 **AVVERTENZA:** Verificare che il dispositivo sia scollegato dalla presa di corrente prima di fissare o sostituire eventuali accessori o eseguire eventuali regolazioni.

Installazione su piano da lavoro

Qualora la levigatrice a mandrino debba essere utilizzata in una posizione permanente, si consiglia di fissarla a un piano di lavoro rigido.

- Servirsi dei fori alla base della levigatrice a mandrino (11) come modello per segnare e praticare quattro fori nella superficie destinata al montaggio (ad esempio banco di lavoro). Fissare la levigatrice a mandrino in posizione usando grandi bulloni, rondelle e dadi (non in dotazione (figura 1))
- Qualora si necessiti di un dispositivo più "portatile", fissare un'asse alla base; sarà dunque più facile fissarla e toglierla dalle diversi superfici di appoggio.
- Qualora vengano usati bulloni, verificare che siano lunghi a sufficienza per penetrare nel banco di lavoro o che garantiscano una tenuta sufficiente.

Nota: Servirsi di dadi di blocco in nylon o di rondelle a molla nei fissaggi per evitare che le vibrazioni allentino i dispositivi di fissaggio.

Nota: Non usare mai bulloni che richiedono l'uso di una forza eccessiva nei fori di montaggio, dato che ciò potrebbe rompere il corpo in plastica oltre che serrare eccessivamente i dispositivi di fissaggio.

Estrazione della polvere

Si consiglia di usare la levigatrice a mandrino con un sistema di aspirazione delle polveri al fine di garantire un ambiente di lavoro pulito e sicuro.

1. Fissare il tubo dal sistema di estrazione polvere alla Porta di estrazione della polvere (18) e verificare che sia saldamente fissato
2. Al fine di garantire una migliore efficacia, attivare il sistema di estrazione delle polveri prima di accendere la levigatrice a mandrino.

Modalità levigatrice a nastro

1. Per rimuovere le componenti della levigatrice a mandrino oscillante, svitare il dado del mandrino (27) utilizzando la chiave (30) e rimuovere la rondella per mandrino (28), il tamburo del mandrino (31), placca guida (26) e inserto del piano da lavoro (29)
2. Conservare le componenti nel comparto apposite nell'unità principale; sono presenti uno scomparto per le rondelle (14), uno per il tamburo (15), uno per la placca guida (7 e 20) e uno scomparto posteriore generico (22).
3. Inserire l'unità di levigatrice a nastro (23) nella rientranza del piano di lavoro rigido (6) come mostrato e assicurarla con il dado blocco del mandrino (33)
4. Se necessario, inserire il blocco pezzo (3) utilizzando il dado di blocca a farfalla (5)
5. Se il nastro di levigazione (24) non è inserito, spostare la leva di sblocco nastro (2) verso il blocco mandrino per permettere l'inserimento. Questo è un meccanismo caricato a molla sotto tensione che permette di controllare il movimento, prevenendo così dei danni
6. Inserire il nastro e allinearne all'altezza giusta sul rullo e assicurarsi che l'orientamento (foto A) sia corretto e corrisponda alla direzione della freccia
7. Spostare la leva di sblocco nastro verso il regolatore nastro (1) per assicurarlo
8. Ricollegare l'utensile alla corrente e accendere, nel farlo monitorare il nastro per assicurarsi che sia correttamente allineato. Spegnere immediatamente se l'allineamento del nastro non è corretto e il nastro fa su e giù sul rullo.

Regolazione allineamento nastro

Regolare l'allineamento del nastro tramite il regolatore di nastro. Se il nastro si sposta pian piano dalla sua posizione effettuare piccole modifiche utilizzando il regolatore di nastro. Se l'allineamento cambia quando si spegne l'apparecchio, utilizzare la leva di sblocco nastro per riportare il nastro all'altezza corretta utilizzando il regolatore di nastro.

- Per aumentare l'altezza del nastro, ruotare il regolatore nastro in senso orario, per diminuirlo ruotarlo in senso antiorario.
- In alcune occasioni può esistere una posizione intermedia nel binario del nastro, di modo da posizionarlo correttamente. Selezionare sempre l'impostazione intermedia nel rango selezionato per centrare il nastro in posizione ottimale anche sotto carico.

NB: Il nastro potrebbe danneggiarsi se non allineato correttamente. È più semplice regolare il binario che fa spostare il nastro verso l'alto e non quello che lo fa spostare verso il basso, in quanto il movimento verso l'alto non rischia di danneggiare il bordo del nastro. Girare il regolatore in senso orario e poi girarlo in senso antiorario lentamente per allineare il nastro.

Modalità levigatrice mandrino oscillante

Selezionare il tipo giusto di manicotto di levigatura

- I manicotti di levigatura sono disponibili in un'ampia gamma di livelli: grossa (80), media (150) e fine (240)
- Usare una grana grossa per finiture grezze, una media per perfezionare il lavoro e fine per completare il lavoro
- Usare sempre manicotti di smerigliatura di buona qualità per ottimizzare la qualità del lavoro
- Consigliamo di fare una prova su un pezzo di scarto per determinare i gradi ottimali di carta da smerigliatura per eseguire un determinato lavoro. Qualora alla fine del lavoro vi siano ancora segni, provare a tornare a una grana più grossa e smerigliare i punti più delicati prima di tornare alla grana prescelta; in alternativa provare a usare un nuovo manicotto da smerigliatura per eliminare i segni indesiderati prima di passare a una grana più fine e completare il lavoro.

Montaggio del manicotto a levigatura

1. Rimuovere il nastro (17) svitando e rimuovendo il blocco mandrino (33) e sollevando il nastro dal piano (6). Conservare nel comparto posteriore (22)
2. Selezionare le parti compatibili più adatte facendo riferimento alla tabella informativa
3. Inserire le componenti come mostrato (Figura II)
4. Stringere il dado del mandrino (27) utilizzando la chiave (30) per assicurarsi che il manicotto non scivoli durante l'operazione. Non stringere eccessivamente
5. Se necessario, inserire il blocco pezzo (3) utilizzando il dado a farfalla per blocco pezzo (5)

NB: Si consiglia di utilizzare un dado del mandrino (27). Ad ogni modo, se si passa frequentemente dalla modalità levigatrice a nastro a quella di mandrino levigatore oscillante, il blocco mandrino (33) può essere utilizzato per fornire una compressione sufficiente a bloccare il manicotto. Ciò dipenderà dalle misure del manicotto e del tamburo.

IMPORTANTE: Utilizzare la tabella che segue per determinare le placche guida e i tamburi adatti ad ogni tipo di manicotti.

Tabella informativa

Diametro del manicotto di levigatura (25)	Tamburo del manicotto (31)	Misura delle placche guida (26)	Misura delle rondelle per mandrino (28)
13 mm	N/A	13 mm	Piccola
19 mm	Piccolo	19 mm	Media
26 mm	Medio	26 mm	Media
38 mm	Grande	38 mm	Media
51 mm	Molto grande	51 mm	Grande

NB

- Tutti i manicotti (25), eccezione fatta per il più piccolo da 13 mm, si adattano al tamburo corrispondente (31).
- Quando il manicotto è consumato sulla parte inferiore, è possibile capovolgere per prolungare la sua durata in servizio.
- Se il manicotto ruota su tamburo, quando in funzione, il dado del mandrino (27) non è stato stretto a sufficienza da comprimere il tamburo.
- Verificare che non vi siano contatti fra il manicotto e l'inserito prima di accendere la macchina.

IMPORTANTE: Non usare un manicotto di levigatura troppo usurato. Ciò può portare a una formazione eccessiva di calore che potrebbe a sua volta danneggiare il tamburo in gomma. I tamburi in gomma danneggiati a causa di manicotti di levigatura usati non sono coperti dalla garanzia.

IMPORTANTE: Utilizzare la placca guida (26) sbagliata potrebbe portare a ferirsi le dita o il pezzo da lavorare potrebbe essere spinto tra la placca e il manicotto. Il manicotto si adatterà comodamente al ritaglio della placca guida.

Piano da lavoro inclinabile

Il piano da lavoro inclinabile (16) si può inclinare fino a 45°, ciò permette la smussatura o altri lavori sugli angoli.

1. Allentare i 2 regolatori di inclinazione (8 e 19) su entrambi i lati del piano da lavoro
2. Muovere il tavolo secondo l'angolo richiesto utilizzando l'Indicatore dell'angolo del piano da lavoro (9). I regolatori inclinazione piano da lavoro (10) possono arrestarsi su le angolazioni più comuni (0°, 15°, 22.5°, 30° e 45°)
3. Chiudere i regolatori di angolazione per posizionare il tavolo nell'angolazione desiderata

Funzionamento

⚠ AVVERTENZA: Indossare SEMPRE la protezione per gli occhi, protezioni per il sistema respiratorio e l'udito e anche guanti adatti quando si utilizza questo strumento.

⚠ AVVERTENZA: VERIFICARE che guanti e indumenti non abbiano fili liberi che si potrebbero impigliare con la rotazione del mandrino fino a trascinare la mano o la testa nel mandrino greve causando così gravi lesioni. Consigliamo di indossare guanti NON in tessuto.

Accensione e spegnimento

NB: Assicurarsi che non ci sia contatto tra i manicotti e la placca o il nastro e la superficie del piano di lavoro prima di accendere la macchina.

- L'interruttore On (13) si trova sulla parte frontale della levigatrice a mandrino
- Per spegnere, premere l'interruttore Off (12)

IMPORTANTE: Per evitare che la macchina venga utilizzata da bambini rimuovere il blocco dell'interruttore (13) togliendolo dall'interruttore e riponendolo in uno scomparto. Una volta rimosso il blocco interruttore, l'interruttore On/Off non può essere utilizzato. Per questo è importante non perdere il blocco interruttore.

Levigare

ATTENZIONE: Non levigare metallo. Ciò potrebbe causare scintille, le quali potrebbero accendere legno o particelle di polvere presenti nell'officina.

NB: Il mandrino e il nastro ruotano in senso antiorario

1. Assicurarsi che la macchina sia ben assicurata al banco da lavoro
 2. Indossare l'equipaggiamento di sicurezza adeguato, inclusa mascherina e guanti, poi accendere il Sistema di estrazione (se disponibile)
 3. Accendere la levigatrice e lasciare che il motore raggiunga la piena velocità
- IMPORTANTE:** Inserire il pezzo da lavoro nel manicotto (foto D) o nel nastro gradualmente, in direzione opposta a quella di rotazione. Non procedere correttamente potrebbe allontanare il pezzo dal manicotto o dal nastro, causando il rischio di ferimento. Non forzare il pezzo da lavorare e non applicare una forza eccessiva.
4. Utilizzare il blocco pezzo (3), quando possibile
 5. Non appena terminato, spegnere la macchina e disconnettere dalla corrente elettrica

Accessori

- Molti accessori e consumabili sono disponibili presso i rivenditori Triton. Per i pezzi di ricambio invitiamo a consultare il sito toolsparesonline.com

Manutenzione

⚠ AVVERTENZA: Verificare che il dispositivo sia spento e che la spina sia tolta dall'alimentazione prima di apportare eventuali modifiche o di eseguire interventi di manutenzione.

- Gli eventuali danni al dispositivo dovrebbero essere riparati e ispezionati con cura prima dell'uso servendosi a tecnici qualificati.
- Rivolgersi a un tecnico qualificato per la riparazione del dispositivo; servirsi unicamente di pezzi di ricambio identici. In questo modo viene garantita la sicurezza dello strumento.

Ispezione generale

Controllare a intervalli regolari che tutte le viti di fissaggio siano strette saldamente. Potrebbero vibrare e allentarsi col passare del tempo.

Manutenzione del cavo di alimentazione:

Qualora sia necessario sostituire il cavo di alimentazione sarà necessario rivolgersi al produttore, a un agente del produttore o a un centro assistenza autorizzato per evitare pericoli di sicurezza.

Pulizia

1. Rimuovere la polvere e lo sporco a intervalli regolari. Soffiare o aspirare frequentemente la polvere da tutte le parti della levigatrice e dall'alloggiamento del motore.
2. Rimuovere periodicamente la placca e abbassare la rondella dal mandrino e rimuovere eventuali accumuli di polvere nella zona di placca.
3. Ri-lubrificare tutte le parti in movimento a intervalli regolari.
4. Non usare mai agenti caustici per pulire le componenti in plastica

Non usare agenti detergenti per pulire le componenti in plastica dello strumento. Consigliamo un detergente morbido su un panno umido. L'acqua non deve mai entrare in contatto col dispositivo.

Sostituire la spazzola

- Con il tempo le spazzole di carbone nel motore potrebbero consumarsi
 - Spazzole eccessivamente consumate potrebbero causare la perdita di potenza, un funzionamento a intermittenza dell'utensile o scintille visibili
 - Sostituire le spazzole;
1. Posizionare delicatamente la levigatrice su un lato e rimuovere le viti dalla base per avere accesso al motore
 2. Pulire con attenzione, nel caso in cui ci sia polvere di legno o trucioli vicino alla base
 3. Rimuovere le 2 viti del coperchio delle spazzole (indicate nella foto E) e rimuovere il coperchio
 4. Rimuovere le spazzole con attenzione (foto F)
 5. Disconnettere il cavo collegato alle spazzole e rimuovere la spazzola
 6. Inserire la spazzola sostitutiva e riconnettere il cavo
 7. Sostituire le spazzole del motore, assicurandosi che la gambina sia nella posizione corretta (indicata nella foto F)
 8. Reinserrire il coperchio e riavvitare le viti
 9. Ripetere i passaggi dal 3 all'8 per sostituire le altre spazzole. È importante sostituire le spazzole in coppia.
 10. Reinserrire e stringere la placca di base.

In alternative, puoi portare la macchina in un centro di riparazione autorizzato

Contatto

Per consigli tecnici e per eventuali riparazioni, contattare il nostro servizio di assistenza telefonico al numero (+44) 1935 382 222

Pagina web: tritontools.com/en-GB/Support

Indirizzo:

Powerbox

Boundary Way

Lufton Trading Estate

Yeovil, Somerset

BA22 8HZ, United Kingdom

Conservazione

- Riporre questo dispositivo con cura in un luogo sicuro e asciutto fuori dalla portata dei bambini. Qualora il dispositivo sia installato in modo permanente in un laboratorio o in garage, verificare che l'accesso ai locali sia controllato, al fine di evitare che i bambini giochino col dispositivo.

Smaltimento

Rispettare sempre le normative nazionali per lo smaltimento di attrezzi a corrente che non sono più funzionali e possono essere riparati.

- Non smaltire gli attrezzi a corrente o altri rifiuti elettrici ed elettronici (WEEE) con i normali rifiuti domestici
- Contattare l'ente locale per lo smaltimento dei rifiuti per informazioni sul modo corretto di smaltire attrezzi a corrente

Guida alla risoluzione dei problemi

Problema	Possibile causa	Soluzione
Nessun funzionamento quando viene usato l'interruttore On/Off	Assenza di corrente	Controllare la sorgente di alimentazione
	Interruttore On/Off difettoso	Sostituire l'interruttore On/Off presso un centro assistenza autorizzato Triton
Il manico (25) non ruota col tamburo (31)	Il dado di blocco mandrino (27) non è serrato a sufficienza	Serrare il dado di blocco mandrino a piccoli incrementi, fino a che il tamburo in gomma non tiene fissato il manicoetto di levigatura
Vengono prodotte grandi quantità di polvere	Il passaggio dell'estrattore delle polveri è bloccato	Spegnere l'alimentazione principale della macchina. Togliere il tamburo, l'inserto del banco e la rondella del mandrino. Togliere l'elemento di blocco dal passaggio dell'estrattore delle polveri
	È stato usato un inserto banco errato	Passare all'inserto banco delle dimensioni corrette
Il nastro non rimane alla stessa altezza quando in uso	Impostazioni di allineamento errate	Vedi "Regolazione allineamento nastro"
Il tamburo di levigatura non funziona alla velocità massima o il motore emette dei suoni diversi rispetto al solito	Surriscaldamento del motore	Spegnere e lasciar raffreddare per circa 1/2 ora
	Motore guasto	Contattare un centro assistenza autorizzato Triton

Garanzia

Per la registrazione della garanzia visitare il sito web www.tritontools.com* e inserire i propri dettagli.

A meno che il proprietario non abbia specificato diversamente, i suoi dettagli saranno inclusi nella lista di distribuzione che sarà utilizzata per inviare regolarmente informazioni sulle novità Triton. I dati personali raccolti saranno trattati con la massima riservatezza e non saranno rilasciati a terze parti.

Informazioni sull'acquisto

Data di acquisto: ___ / ___ / ___

Modello N.: TSPST450 Conservare lo scontrino come prova dell'acquisto

Dichiarazione di conformità CE

Il sottoscritto: Sig. Darrell Morris

come autorizzato da: Triton

Dichiara che il prodotto: Questa dichiarazione è stata emessa unicamente sotto alla responsabilità del produttore. L'obiettivo della dichiarazione è in conformità con la Legislazione di Armonizzazione pertinente dell'Unione.

Codice di identificazione: TSPST450

Descrizione: Levigatrice a mandrino oscillante e a nastro, 450 W

Si conforma alle seguenti direttive:

- Direttiva macchine 2006/42/CE
- Direttiva compatibilità elettromagnetica 2014/30/UE
- Direttiva RoHS 2011/65/UE
- EN 61029-1:2009+A11:2010
- EN ISO 12100:2010
- EN 55014-1:2006+A2:2011
- EN 55014-2:1997+A2:2008
- EN 61000-3-2:2014
- EN 61000-3-3:2013

Triton Precision Power Tools garantisce all'acquirente di questo prodotto che se qualsiasi parte si rivelasse difettosa a causa di materiali difettosi o di fabbricazione entro 3 ANNI dalla data di acquisto originale, Triton riparerà o sostituirà a sua discrezione, la parte difettosa gratuitamente.

Questa garanzia non si applica ad uso commerciale né si estende alla normale usura o danni a seguito di incidenti, abuso o uso improprio.

* Registrati entro 30 giorni.

Si applicano termini e condizioni.

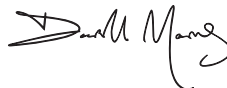
Ciò non pregiudica i diritti legali

Organismo informato: TÜV SÜD

La documentazione tecnica è mantenuta da: Triton

Data: 22/10/2018

Firma:



Signor Darrell Morris

Amministratore Delegato

Nome e indirizzo del fabbricante:

Powerbox International Limited, N°. Società 06897059. Indirizzo registrato:.

Powerbox, Boundary Way, Lufton Trading Estate, Yeovil, Somerset BA22 8HZ, Regno Unito.

Traducción del manual original

Introducción

Gracias por haber elegido esta herramienta Triton. Estas instrucciones contienen la información necesaria para un funcionamiento seguro y eficaz de este producto. Lea este manual atentamente para asegurarse de obtener todas las ventajas de las características únicas de su nuevo equipo. Conserve este manual a mano y asegúrese de que todos los usuarios que utilicen esta herramienta lo hayan leído y entendido correctamente.

Descripción de los símbolos

Los siguientes símbolos pueden aparecer en la placa de características de su herramienta. Estos símbolos representan información importante sobre el producto o instrucciones relativas a su uso.



Lleve protección auditiva
Lleve protección ocular
Lleve protección respiratoria
Lleve un casco de seguridad



Lleve guantes de seguridad



Lea el manual de instrucciones



¡Peligro!



Para uso solo en interiores.



¡Peligro! Gases o humo tóxico



Desconecte siempre la herramienta de la toma eléctrica antes de realizar cualquier tarea de mantenimiento, sustituir accesorios o cuando no la esté utilizando.



Se recomienda/necesita utilizar un sistema de extracción de polvo



Protección clase II (doble aislamiento para mayor protección)



Protección medioambiental Las herramientas eléctricas, baterías y baterías de litio nunca deben desecharse junto con la basura convencional. Por favor, recicle las baterías sólo en puntos de reciclajes. En caso de duda, póngase en contacto con su distribuidor o con la autoridad local encargada de la gestión de residuos.



Conforme a las normas de seguridad y la legislación correspondiente.

Abreviaturas de términos técnicos

V	Volto/s
Hz	Hercio/s
~, AC	Corriente alterna
≡, DC	Corriente continua
n_0	Velocidad sin carga
A, mA	Amperio/s, miliamperio/s
W, kW	Vatio/s, kilovatio/s
/min or min ⁻¹	(Revoluciones/oscilaciones) por minuto
n	Velocidad nominal
bpm	Golpes por minuto (taladro percutor)
opm	Órbitas/oscilaciones por minuto
spm	Carreras por minuto
°	Grados
dB(A)	Nivel de decibelios (Ponderada A)
Ø	Diámetro
m/s ²	Metros cuadrados por segundo (vibración)

Características técnicas

Modelo:	TSPST450
Tensión:	230 V, 50 Hz
Potencia:	450 W
Velocidad sin carga (husillo): (banda):	2.000 min ⁻¹ 480 min ⁻¹
Oscilaciones:	58 min ⁻¹
Longitud de recorrido:	16 mm
Diámetro de los rodillos de lija:	Ø13, 19, 26, 38, 51 mm
Dimensiones de la banda de lija:	100 x 610 mm
Salida de extracción de polvo (diámetro externo):	38 mm
Dimensiones de la mesa (L x An):	430 x 410 mm
Dimensiones de la mesa basculante (L x An):	220 x 410 mm
Ángulos de inclinación de la mesa:	0-45°
Ajustes de inclinación disponibles:	0°, 15°, 22,5°, 30° y 45°
Dimensiones del husillo:	Rosca 12,7 x 1,5 mm
Clase de protección:	
Grado de protección:	IP20
Dimensiones (L x An x A):	390 x 330 x 450 mm
Peso:	12,9 kg
Como parte de nuestra política de desarrollo de productos, los datos técnicos de los productos Triton pueden cambiar sin previo aviso.	

Información sobre ruido y vibración

Presión acústica L_{pA} :	76 dB(A)
Potencia acústica L_{wA} :	89 dB(A)
Incertidumbre K:	3 dB

El nivel de intensidad sonora para el usuario puede exceder de 85 dB(A). Se recomiendan usar medidas de protección auditiva.

ADVERTENCIA: Utilice siempre protección auditiva cuando el nivel ruido exceda 85 dB(A) o cuando esté expuesto durante largos periodos de tiempo. Si por algún motivo nota algún tipo de molestia audiendo incluso llevando orejeras de protección, detenga inmediatamente la herramienta y compruebe que las orejeras de protección estén colocadas adecuadamente. Asegúrese de que el nivel de atenuación y protección de las orejeras sea adecuado dependiendo del tipo de herramienta y el trabajo a realizar.

ADVERTENCIA: La exposición a la vibración durante la utilización de una herramienta puede provocar pérdida del sentido del tacto, entumecimiento, hormigueo y disminución de la capacidad de sujeción. La exposición durante largos periodos de tiempo puede provocar enfermedad crónica. Si es necesario, limite el tiempo de exposición a la vibración y utilice guantes anti-vibración. No utilice la herramienta cuando sus manos estén muy frías, las vibraciones tendrán un mayor efecto. Utilice los datos técnicos de su herramienta para evaluar la exposición y medición de los niveles de ruido y vibración.

Los niveles de vibración y ruido están determinados por la directiva EN60745 y otras directivas internacionales similares. Los datos técnicos se refieren al uso normal de la herramienta en condiciones normales. Una herramienta defectuosa, mal montada o desgastada puede incrementar los niveles de ruido y vibración. Para más información sobre ruido y vibración, puede visitar la página web www.osha.europa.eu

Instrucciones de seguridad para herramientas eléctricas

⚠ ADVERTENCIA: Lea siempre cuidadosamente todas las advertencias **no** instrucciones seguridad para utilizar este producto de forma segura. No seguir estas instrucciones podría causar una descarga eléctrica, incendio y/o lesiones graves.

Conservar estas instrucciones de seguridad para futura referencia.

El término "herramienta eléctrica" descrito en este manual se refiere a una herramienta alimentada por conexión eléctrica mediante cable (herramienta alámbrica) o una herramienta eléctrica alimentada por batería (herramienta inalámbrica).

1) Seguridad en el área de trabajo

- Mantenga el área de trabajo limpia y bien iluminada.** Las áreas de trabajo desordenadas y oscuras son peligrosas y pueden provocar un accidente.
- No utilice herramientas eléctricas en atmósferas explosivas que contengan líquidos, gases o polvos inflamables.** Las herramientas eléctricas producen chispas que pueden incendiar el polvo o los vapores.
- Mantenga a los niños y personas alejadas mientras esté trabajando con una herramienta eléctrica.** Las distracciones pueden hacerle perder el control de la herramienta.

2) Seguridad eléctrica

- El enchufe de su herramienta eléctrica debe coincidir con la toma de corriente. Nunca realice ningún tipo de modificación en el enchufe. No utilice adaptadores de enchufe sin toma de tierra.** No modifique los enchufes y tomas de corriente para reducir el riesgo de descargas eléctricas.
- Evite el contacto corporal con materiales conductores tales como tuberías, radiadores, estufas y refrigeradores.** El riesgo de descarga eléctrica se incrementa si su cuerpo está expuesto a materiales conductores.
- No utilice las herramientas eléctricas bajo la lluvia o en zonas extremadamente húmedas.** El contacto de agua dentro de la herramienta aumentará el riesgo de descargas eléctricas.
- No doble el cable de alimentación. No use nunca el cable de alimentación para transportar la herramienta eléctrica, tirar de ella o desenchufarla.** Mantenga el cable de alimentación alejado de fuentes de calor, aceite, bordes afilados o piezas móviles. Los cables de alimentación dañados o enredados aumentan el riesgo de descargas eléctricas.
- Use un cable de extensión adecuado para uso exterior cuando utilice la herramienta eléctrica en áreas exteriores.** El uso de un cable adecuado para exteriores reducirá el riesgo de descargas eléctricas.
- Si es inevitable trabajar con una herramienta eléctrica en lugares húmedos, use un suministro protegido por un interruptor diferencial o disyuntor por corriente diferencial o residual (RCD).** El uso de un RCD reduce el riesgo de descargas eléctricas.

3) Seguridad personal

- Manténgase alerta, fíjese en lo que está haciendo y use el sentido común cuando**

esté utilizando una herramienta eléctrica. No use una herramienta eléctrica cuando esté cansado o bajo la influencia de drogas, alcohol o medicamentos. Distráese mientras esté utilizando una herramienta eléctrica puede provocar lesiones corporales graves.

- Utilice siempre equipo de protección personal. Use siempre protección ocular.** El uso de dispositivos de seguridad personal (mascarillas antipolvo, calzado de seguridad antideslizante, casco de protección y protección auditiva) reducirá el riesgo de lesiones corporales.
- Evite el arranque accidental de la herramienta. Asegúrese de que el interruptor esté en la posición de apagado antes de enchufar la herramienta.** Nunca transporte herramientas con el dedo colocado en el interruptor o con el interruptor en posición de encendido.
- Retire todas las llaves de ajuste antes de encender la herramienta.** Una llave colocada sobre una parte móvil de la herramienta eléctrica puede causar lesiones graves.
- No adopte posturas forzadas. Colóquese en posición firme y mantenga el equilibrio en todo momento.** Esto le permitirá controlar mejor la herramienta eléctrica en situaciones inesperadas.
- Vístase de manera apropiada. No lleve ropa holgada ni joyas. Mantenga el cabello, la ropa y guantes lejos de las piezas en movimiento.** La ropa holgada, las joyas o el cabello largo pueden quedar atrapados en las piezas en movimiento.
- Extracción de polvo. Utilice siempre un sistema de extracción de polvo/aspiradora y asegúrese de utilizarlos de manera apropiada.** El uso de estos dispositivos reducirá los peligros relacionados con el polvo.
- No deje que la familiaridad con el producto a base de utilizarlo repetidamente sustituya las normas de seguridad indicadas para utilizar esta herramienta.** Utilizar esta herramienta de forma incorrecta puede causar daños y lesiones personales.

4) Uso y mantenimiento de las herramientas eléctricas

- Nunca fuerce la herramienta eléctrica. Utilice esta herramienta eléctrica de forma adecuada.** Utilice su herramienta de forma correcta para cada aplicación.
 - No use esta herramienta eléctrica cuando el interruptor de encendido/apagado esté averiado.** Cualquier herramienta eléctrica que no se pueda controlar con el interruptor de encendido/apagado será peligrosa y debe ser reparada inmediatamente.
 - Desenchufe siempre la herramienta o retire la batería antes de realizar cualquier ajuste, cambiar accesorios o almacenar la herramienta.** Estas medidas de seguridad preventivas evitarán el arranque accidental de su herramienta eléctrica.
 - Guarde siempre las herramientas eléctricas fuera del alcance de los niños. No permita que las personas que no estén familiarizadas con estas instrucciones utilicen la herramienta.** Las herramientas eléctricas son peligrosas en manos de personas que no estén capacitadas para su uso.
 - Compruebe regularmente el funcionamiento de sus herramientas eléctricas. Asegúrese de que no haya piezas en movimiento desalineadas o trabadas, piezas rotas o cualquier otro problema que pueda afectar al funcionamiento de la herramienta.** Repare siempre las piezas dañadas antes de utilizar la herramienta. La falta de mantenimiento es la causa de la mayoría de los accidentes.
 - Las herramientas de corte deben estar siempre afiladas y limpias.** Las herramientas de corte correctamente afiladas son menos propensas a trabarse y son más fáciles de controlar.
 - Utilice esta herramienta eléctrica y los accesorios según el manual de instrucciones y teniendo en cuenta las condiciones y el trabajo que necesite realizar.** El uso de esta herramienta eléctrica con un propósito distinto al cual ha sido diseñada podría ser peligroso y causar lesiones.
 - Mantenga siempre las empuñaduras y superficies de agarre limpias y libres de grasa.** Las empuñaduras y superficies resbaladizas pueden provocar la pérdida de control de la herramienta de forma inesperada.
- ### 5) Mantenimiento y reparación
- Repare siempre su herramienta eléctrica en un servicio técnico autorizado. Utilice únicamente piezas de recambio idénticas y homologadas.** Esto garantizará un funcionamiento óptimo y seguro de su herramienta eléctrica.

Instrucciones de seguridad para lijadoras de husillo oscilante y lijadoras de banda

⚠ ADVERTENCIA!

- Sujete la herramienta siempre por las empuñaduras aisladas para evitar el riesgo de descargas eléctricas en caso de accidente.** El contacto del accesorio con un cable bajo tensión podría provocar descargas eléctricas al usuario.
- Se recomienda conectar esta herramienta a tomas de corriente protegida con dispositivo de protección de corriente diferencial residual de 30 mA o inferior.**
- El cable de alimentación deberá ser sustituido solamente por un servicio técnico autorizado o por el fabricante.**

Las advertencias, precauciones e instrucciones que aparecen en este manual no cubren todas las posibles condiciones y situaciones que puedan ocurrir. El usuario es responsable y debe utilizar esta herramienta con precaución y sentido común.

No utilice la lijadora antes de que esté completamente montada. Familiarícese con el manual de instrucciones, advertencias e indicaciones relativas a esta herramienta.

- Compruebe el estado de la lijadora. En el caso de que falte alguna pieza, esté doblada o no funcione adecuadamente, reemplácela antes de usar la lijadora.
- Determine el tipo de trabajo que va a llevar a cabo antes de poner en funcionamiento la lijadora.
- Asegure la pieza de trabajo. Apoye la pieza de trabajo de forma segura sobre la mesa, y sosténgala con las dos manos.
- Esté al tanto de la dirección de avance. Introduzca la pieza de trabajo en el rodillo de lija en contra del sentido de rotación del rodillo de lija.
- Mantenga siempre las manos fuera de la trayectoria de la lijadora y lejos de los rodillos de lija. Evite posiciones de la mano donde un resbalón repentino podría hacer que su mano se mueva hacia el husillo. No intente alcanzar nada que esté por debajo de la pieza de trabajo o cerca del rodillo de lija, mientras que el husillo está girando.
- Desconecte la lijadora de la toma eléctrica después de apagar el interruptor de encendido/apagado. Espere a que el husillo deje de girar antes de realizar cualquier tarea de mantenimiento. La lijadora debe estar desconectada de la toma eléctrica cuando no se esté utilizando o cuando cambie accesorios.
- Asegúrese de que no haya clavos u objetos extraños en la pieza de trabajo.
- Nunca utilice esta lijadora para lijar en húmedo, de lo contrario podrían producirse descargas eléctricas y causar lesiones importantes al usuario.
- Utilice sólo piezas de repuesto idénticas y compatibles cuando realice el servicio de mantenimiento de esta lijadora.
- Asegúrese de que el husillo ha llegado a detenerse por completo antes de tocar la pieza de trabajo.
- Tome precauciones al lijar superficies pintadas. **NO SE RECOMIENDA** lijar pinturas a base de plomo. El polvo en estas pinturas es altamente tóxico y podría causar intoxicación al inhalar el polvo.

Al lijar pintura:

- Proteja sus pulmones. Utilice una mascarilla contra el polvo o máscara respiratoria.
- No permita que niños o mujeres embarazadas permanezcan en el área de trabajo hasta que el trabajo de lijado de pintura haya terminado y se haya limpiado correctamente.
- No coma, ni beba, ni fume en el área de trabajo.
- Utilice un sistema de recolección de polvo cuando sea posible. Selle el área de trabajo con plástico. No limpie el polvo de pintura que esté fuera del área de trabajo.
- Limpie el área cuando haya terminado con el trabajo de pintura y lijado.

Características del producto

- Perilla de ajuste de la banda de lija
- Palanca de liberación de la banda de lija
- Tope de la mesa
- Perilla de bloqueo del husillo
- Tuerca de bloqueo del tope de la mesa
- Mesa rígida
- Compartimento para la placa de guía
- Escala de ángulos
- Indicador del ángulo de inclinación de la mesa
- Ajustes de ángulo de inclinación de la mesa
- Orificios de montaje
- Interruptor de apagado
- Interruptor de encendido
- Compartimento para las arandelas
- Compartimento para tambores de lija
- Mesa basculante
- Lijadora de banda
- Salida de extracción de polvo
- Perilla de ajuste del ángulo de inclinación
- Compartimento para la placa de guía
- Compartimento para llave de ajuste
- Compartimento de la parte posterior
- Conjunto de la lijadora de banda
- Banda de lija
- Rodillos de lija (5 tamaños diferentes)
- Placas de guía (5 tamaños diferentes)
- Tuerca de bloqueo
- Arandelas de retención
- Inserto de mesa
- Llave de ajuste
- Tambores de lija (4 tamaños diferentes)
- Husillo
- Perilla de bloqueo del husillo

Aplicaciones

Desembale e inspeccione la herramienta con cuidado. Familiarícese con todas sus características y funciones. Asegúrese de que el embalaje contiene todas las partes y que están en buenas condiciones. Si faltan piezas o están dañadas, solicite su sustitución antes de utilizar esta herramienta.

Desembalaje

Desembale e inspeccione la herramienta con cuidado. Familiarícese con todas sus características y funciones.

Asegúrese de que el embalaje contiene todas las partes y que están en buenas condiciones. Si faltan piezas o están dañadas, solicite su sustitución antes de utilizar esta herramienta.

Antes de usar

⚠️ ADVERTENCIA: Asegúrese siempre de que la herramienta esté desconectada de la toma eléctrica antes de cambiar accesorios o realizar cualquier ajuste.

Montaje en un banco de trabajo

Cuando utilice la lijadora de husillo en una posición fija de forma permanente se recomienda sujetarle de forma segura a una superficie de trabajo rígida.

- Utilice los orificios de montaje (11) situados en la base de la lijadora de husillo como una plantilla para marcar y perforar cuatro agujeros en la superficie que desea utilizar como superficie de montaje. Fije la lijadora de husillo en posición con pernos, tuercas y arandelas (no suministrados) (Fig. 1).
- Si desea utilizar la lijadora de husillo de forma portátil, fije un tablero a la base para poder instalarla y desmontarla fácilmente de varias superficies de montaje.
- Si utiliza pernos, asegúrese de que sean lo suficiente largos como para sujetarse a la superficie o el banco de trabajo correctamente.

Nota: Utilice siempre tuercas de bloqueo de nylon y arandelas elásticas para evitar que las vibraciones puedan aflojar los elementos de fijación.

Nota: Nunca utilice pernos que puedan dañar en los orificios de montaje. Nunca apreté los pernos excesivamente, podría dañar la superficie de plástico.

Extracción de polvo

Para un entorno de trabajo más limpio y seguro, se recomienda que la lijadora de husillo se utilice con un sistema de extracción de polvo.

- Conecte el tubo del sistema de extracción de polvo en la salida de extracción de polvo (18) y asegúrese de que está fijada de forma segura.
- Para una mayor eficacia, encienda siempre el sistema de extracción de polvo antes de poner en marcha la lijadora de husillo.

Lijadora de banda

- Utilice la llave de ajuste (30) para retirar la tuerca de bloqueo del husillo (27), la arandela del husillo (28), el tambor de lija (31), la placa de guía (26) y el inserto de mesa (29).
- Guarde las piezas de la lijadora de husillo en los compartimentos de almacenaje de la herramienta (compartimento para las arandelas (14), tambores de lija (15), placa de guía (7 y 20) y compartimento posterior (22)).
- Coloque el conjunto de la lijadora de banda (23) dentro de la mesa rígida (6) y apréttela usando la perilla de bloqueo del husillo (33).
- Utilice la tuerca del tope de la mesa (5) para colocar el tope (3) si es necesario.
- Para colocar una banda de lija (24), mueva la palanca de liberación de la banda de lija (2) hacia la perilla de bloqueo del husillo e introduzca la banda de lija.
- Alinee la banda de lija a la altura correcta desde el rodillo principal. Asegúrese que el sentido de rotación de la banda de lija sea el mismo que el indicado mediante la flecha de sentido de rotación (imagen A).
- Coloque la palanca de liberación de la banda de lija hacia la perilla de ajuste de la banda de lija (1) para sujetar la banda de lija firmemente.
- Encienda la herramienta y compruebe que la banda de lija esté correctamente alineada. Apague la herramienta y vuelva a ajustar la banda de lija si es necesario.

Ajuste de la banda de lija

Utilice la perilla de ajuste de la banda de lija para alinear la banda y ajustarla correctamente. Gire ligeramente la perilla de ajuste de la banda de lija si la banda se mueve de su posición inicial. Utilice la palanca de liberación de la banda de lija y la perilla de ajuste de la banda de lija para corregir la alineación de la banda de lija cuando esta se desajuste excesivamente.

- Gire la perilla de ajuste de la banda de lija en sentido horario para incrementar la altura de la banda de lija. Gire la perilla de ajuste de la banda de lija en sentido horario para disminuir la altura de la banda de lija.
- En algunas ocasiones puede que exista una posición intermedia en la perilla de ajuste de la banda de lija para ajustar la banda correctamente. Seleccione siempre el ajuste intermedio dentro del rango seleccionado, incluso cuando la herramienta esté bajo carga.

Nota: La banda de lija podría dañarse si está alineada de forma incorrecta. El roce contra de la banda de lija con el borde de la mesa dañará la banda de lija. El método más sencillo para no dañar la banda de lija es ajustarla siempre hacia arriba no hacia abajo, de esta forma evitará que pueda entrar en contacto con el borde de la mesa. Gire la perilla de ajuste de la banda de lija en sentido horario y a continuación gire en sentido antihorario en pequeños incrementos para acabar de ajustar la banda de lija.

Lijadora de husillo oscilante

Seleccionar del rodillo de lija adecuado

- Existen diferentes tipos de rodillos de lija: grueso (grano 80), medio (grano 150) y fino (grano 240).
- Utilice rodillo de lija de grano grueso para acabados rugosos, grano medio para alisar y grano fino para acabados.
- Utilice siempre papel de lija de buena calidad para maximizar la calidad de la tarea de acabado.
- Se recomienda practicar antes en una pieza de material desechable para determinar el grano de papel de lija más adecuado. Si todavía quedan marcas en la pieza después del lijado, utilice un papel de grano más grueso y lije las marcas existentes antes de comenzar de nuevo con el papel de lija original, o utilice un rodillo de lija nuevo para eliminar las marcas indeseadas antes de pasar a un grano más fino y terminar el trabajo.

Instalación de un rodillo de lija

- Retire la perilla de bloqueo del husillo (33) y retire la lijadora de banda (17) fuera de la mesa rígida. Guarde la lijadora de banda en el compartimento posterior (22).
- Seleccione las piezas compatibles (ver tabla de medidas) con la placa de guía que vaya a utilizar.
- Instale todas las piezas (Fig. II).
- Apretete el bloqueo del husillo (27) utilizando la llave de ajuste (30) y asegúrese de que el rodillo de lija esté ajustado correctamente. No apriete excesivamente.
- Utilice la tuerca del tope de la mesa (5) para colocar el tope (3) si es necesario.

Nota: Se recomienda utilizar la tuerca de bloqueo del husillo (27). Cuando requiera cambiar constantemente de modo lijadora de husillo a lijadora de banda, también puede utilizar la perilla de bloqueo del husillo (33) para sujetar el rodillo de lija. Utilizar esta función dependerá del tipo de rodillo y tambor utilizado.

IMPORTANTE: Utilice la siguiente tabla para determinar la placa de guía y el rodillo de lija adecuado.

Tabla de guía (medidas)

Rodillo de lija (25)	Tambor de lija (31)	Placa de guía (26)	Arandela del husillo (28)
13 mm (½")	N/A	13 mm (½")	Pequeña
19 mm (¾")	Pequeño	19 mm (¾")	Mediana
26 mm (1")	Mediano	26 mm (1")	Mediana
38 mm (1½")	Grande	38 mm (1½")	Mediana
51 mm (2")	Extra grande	51 mm (2")	Grande

Notas

- Todos los rodillos de lija (25) excepto el más pequeño de 13 mm (1/2") pueden colocarse sobre un tambor de goma correspondiente (31).
- Coloque el tambor de lija sobre el husillo. Coloque siempre la parte del rodillo más desgastada en la parte superior para maximizar la vida útil del rodillo de lija.
- Apretete la tuerca de bloqueo del husillo (27) si el rodillo de lija se desliza a través del tambor cuando la herramienta está encendida.
- Asegúrese de que el rodillo de lija no esté en contacto con el inserto de mesa antes de encender la herramienta.

IMPORTANTE: No utilice un rodillo de lija que esté demasiado desgastado, podría sobrecalentar y dañar el tambor de goma. La garantía no cubre los daños ocasionados por usar incorrectamente los rodillos de lija desgastados.

IMPORTANTE: Seleccione la placa de guía (26) y el rodillo de lija adecuado según las indicaciones de la tabla anterior, de lo contrario sus dedos podrían quedar atrapados entre la placa de guía y el rodillo de lija. El rodillo d lija debe estar colocado correctamente a través de la parte central de la placa de guía.

Inclinación de la mesa

La mesa basculante (16) de esta herramienta puede inclinarse hasta 45° para lijar a ras o crear cantos biselados.

- Afije las 2 perillas de ajuste del ángulo de inclinación (8 y 19) situadas en ambos lados de la mesa.
- Ajuste la inclinación de la mesa utilizando la escala de ángulos (9). Esta herramienta dispone de topes con ángulos de ajuste (10) predefinidos (0°, 15°, 22,5°, 30° y 45°).
- Vuelva a apretar las 2 perillas de ajuste del ángulo de inclinación.

Funcionamiento

⚠️ ADVERTENCIA: Lleve siempre protección adecuada cuando utilice esta herramienta, incluido protección ocular, protección auditiva y guantes de protección.

⚠️ ADVERTENCIA: NUNCA lleve guantes o ropa holgada que pueda quedar atrapada en el husillo de la lijadora, podría ser peligroso y causar lesiones graves al usuario. Se recomienda utilizar guantes no textiles.

Encendido y apagado

Nota: Antes de encender la herramienta, asegúrese de que el rodillo de lija no esté en contacto con la placa de guía o el rodillo de lija.

- Pulse el interruptor de encendido "ON" (13) para encender la herramienta.
- Pulse el interruptor de apagado "OFF" (12) para apagar la herramienta.
- Tire del interruptor de encendido/apagado (12) para encender la herramienta.
- Pulse el interruptor de encendido/apagado (12) para apagar la herramienta.

Nota: El interruptor de encendido/apagado está diseñado para apagar la herramienta rápidamente en caso de emergencia.

IMPORTANTE: Retire el bloqueo del interruptor (13) (imagen k) para evitar que los niños puedan encender la herramienta de forma accidental. El interruptor de encendido/apagado no funcionará cuando haya retirado el bloqueo del interruptor.

Lijado

ADVERTENCIA: No lije metal con esta lijadora. Lijar metal puede causar chispas que pueden incendiar la madera y partículas de polvo en la lijadora o en el taller.

Nota: El husillo gira en sentido antihorario.

- Compruebe que la lijadora esté montada de forma segura en la mesa de trabajo.
- Asegúrese de llevar puesto todo el equipo de seguridad necesario, incluyendo mascarilla y gafas de seguridad, a continuación, ponga en marcha el sistema de extracción de polvo (si está disponible).
- Encienda la lijadora y deje que el motor alcance la velocidad máxima.

IMPORTANTE: Introduzca la pieza lentamente. CONTRA el sentido rotación del rodillo de lija, de lo contrario la pieza de trabajo podría salir despedida de forma violenta hacia el usuario y causar daños importantes. Nunca fuerce la pieza de trabajo ni presione excesivamente

- Utilice el tope (3) siempre que sea necesario.
- Cuando finalice la tarea, apague la lijadora y desconéctela de la toma eléctrica.

Accesorios

- Existen gran variedad de accesorios, incluido rodillos de lija de varios granos disponibles en su distribuidor Triton más cercano o a través de www.toolsparsonline.com

Mantenimiento

⚠️ ADVERTENCIA: Desconecte siempre la herramienta de la red eléctrica antes de realizar cualquier tarea de mantenimiento. Retire siempre el cargador antes de limpiar la herramienta.

- Si la herramienta se ha deteriorado, debe de ser reparada e inspeccionada por una persona cualificada antes de utilizarla.
- Para garantizar la seguridad del aparato, esta herramienta debe ser reparada utilizando únicamente piezas de recambio idénticas.

Inspección general

- Compruebe regularmente que todos los tornillos y elementos de fijación estén bien apretados. Con el paso del tiempo pueden vibrar y aflojarse.

Cable de alimentación

- Inspeccione el cable de alimentación antes de utilizar esta herramienta y asegúrese de que no esté dañado. Las reparaciones deben realizarse por un servicio técnico Triton autorizado.

Limpieza

- Elimine el polvo y la suciedad con regularidad. aspire o retire con frecuencia el polvo de la lijadora y de todas sus piezas y de la cubierta del motor.
- Periódicamente retire el inserto y la arandela inferior del husillo y elimine la acumulación de polvo.
- Vuelva a lubricar todas las partes en movimiento a intervalos regulares.
- Nunca utilice agentes cáusticos para limpiar las piezas de plástico.

Se recomienda utilizar un paño humedecido con un detergente suave. El agua no deberá entrar jamás en contacto con la unidad.

Sustitución de las escobillas

- Con el tiempo, las escobillas de carbono del motor se desgastarán.
- Si las escobillas se han desgastado excesivamente, el rendimiento del motor puede disminuir, la herramienta tal vez no arranque o quizás observe una excesiva presencia de chispas.

Para sustituir las escobillas:

1. Coloque la herramienta de lado y retire los tornillos de la base para acceder al motor de la herramienta.
 2. Limpie el polvo y aserrín acumulado en la base.
 3. Retire los 2 tornillos para retirar la tapa de las escobillas (imagen E).
 4. Retire el conjunto de las escobillas (imagen F).
 5. Desconecte el cable del conjunto de las escobillas y retire las escobillas.
 6. Coloque la escobilla nueva y vuelva a conectar el cable.
 7. Coloque el conjunto de piezas de las escobillas y asegúrese de que las patillas estén colocadas de posición correcta (imagen F).
 8. Vuelva a colocar las tapas de acceso a las escobillas y los tornillos.
 9. Repita los pasos 3 - 8 para la sustituir la otra escobilla. Sustituya siempre las escobillas de carbón simultáneamente
 10. Vuelva a colocar y apriete firmemente la base de la herramienta.
- Si tiene dudas sobre como sustituir las escobillas, lleve la herramienta a un servicio técnico autorizado.

Contacto

Servicio técnico de reparación Triton – Tel: (+44) 1935 382 222

Web: www.tritontools.com/es-ES/Support

Dirección:

Powerbox
Boundary Way
Lufton Trading Estate
Yeovil, Somerset
BA22 8HZ, Reino Unido

Almacenaje

- Guarde esta herramienta y accesorios en un lugar seco y seguro fuera del alcance de los niños.

Reciclaje

Deshágase siempre de las herramientas eléctricas adecuadamente respetando las normas de reciclaje indicadas en su país.

- No deseche las herramientas y aparatos eléctricos junto con la basura convencional. Reciclelos siempre en puntos de reciclaje.
- Póngase en contacto con la autoridad local encargada de la gestión de residuos para obtener más información sobre cómo reciclar este tipo de herramientas correctamente.

Solución de problemas

Problema	Causa	Solución
La herramienta no se enciende al accionar el interruptor de encendido	Falta de alimentación eléctrica	Compruebe el suministro eléctrico
	interruptor de encendido averiado	Sustituya el interruptor de encendido/apagado en un servicio técnico autorizado Triton
El rodillo de lija (25) se desliza sobre el tambor de lija (31)	Tuerca de bloqueo del husillo (27) floja	Apriete la tuerca de bloqueo del husillo hasta que el rodillo esté sujeto con el tambor de goma correctamente
La banda de lija no está ajustada correctamente	Ajuste de la banda de lija incorrecto	Véase "Ajuste de la banda de lija"
Polvo y aserrín excesivo sobre la mesa de la lijadora	Conducto de la salida de extracción de polvo obstruido	Desenchufe la herramienta de la toma de corriente y retire las piezas y componentes necesarios para poder limpiar el conducto de la salida de extracción de polvo
	Placard de guía incorrecta	Utilice la placa de guía adecuada
La lijadora de banda no funciona/ruído de motor inusual	Motor sobrecalentado	Apague la herramienta y deje que se enfríe durante 30 min.
	Avería en el motor	Contacte con un servicio técnico autorizado Triton
	Escobillas de carbón desgastadas	Véase "Sustitución de las escobillas de carbón"
	Correa del motor desgastada o holgada	Contacte con un servicio técnico autorizado Triton

Garantía

Para registrar su garantía, visite nuestra página Web en www.tritontools.com* e introduzca sus datos personales.

Estos datos serán incluidos en nuestra lista de direcciones (salvo indicación contraria) de manera que pueda recibir información sobre nuestras novedades. Sus datos no serán cedidos a terceros.

Recordatorio de compra

Fecha de compra: ___/___/___

Modelo: TSPST450 Conserve su recibo como prueba de compra.

Declaración de conformidad CE

El abajo firmante: Mr Darrell Morris

Autorizado por: Triton

Declara que el producto: La presente declaración de conformidad se expide bajo la exclusiva responsabilidad del Fabricante. El objeto de la declaración descrita anteriormente es conforme a la legislación comunitaria de armonización pertinente.

Código de identificación: TSPST450

Descripción: Lijadora de husillo oscilante y lijadora de banda 450 W

Está en conformidad con las directivas:

- Directiva de máquinas 2006/42/CE
- Compatibilidad electromagnética 2014/30/UE
- Directiva RoHS 2011/65/UE
- EN 61029-1:2009+A11:2010
- EN ISO 12100:2010
- EN 55014-1:2006+A2:2011
- EN 55014-2:1997+A2:2008
- EN 61000-3-2:2014
- EN 61000-3-3:2013

Las herramientas Triton disponen de un periodo de garantía de 3 años. Para obtener esta garantía, deberá registrar el producto online en un plazo de 30 días contados a partir de la fecha de compra. Si durante ese periodo apareciera algún defecto en el producto debido a la fabricación o materiales defectuosos, Triton se hará cargo de la reparación o sustitución del producto adquirido. Esta garantía no se aplica al uso comercial por desgaste de uso normal, daños accidentales o por mal uso de esta herramienta.

* Registre el producto online en un plazo de 30 días contados a partir de la fecha de compra.

Se aplican los términos y condiciones.

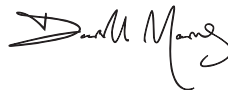
Esto no afecta a sus derechos legales como consumidor.

Organismo notificado: TÜV SÜD

La documentación técnica se conserva en: Triton

Fecha: 22/10/2018

Firma:



Mr Darrell Morris

Director General

Nombre y dirección del fabricante:

Powerbox International Limited, Nº de registro: 06897059. Dirección legal: Powerbox, Boundary Way, Lufton Trading Estate, Yeovil, Somerset BA22 8HZ, Reino Unido.

Tradução das instruções originais

Introdução

Obrigado por comprar esta ferramenta Triton. Este manual contém as informações necessárias para a operação segura e eficiente deste produto. Este equipamento apresenta recursos exclusivos, e mesmo que você esteja familiarizado com produtos similares, é necessário ler o manual cuidadosamente para garantir que as instruções sejam totalmente compreendidas. Assegure-se de que todos os usuários do produto leiam e compreendam este manual, completamente.

Descrição dos símbolos

A placa de identificação de sua ferramenta poderá apresentar alguns símbolos. Estes indicam informações importantes sobre o produto, ou instruções sobre seu uso.



Use proteção auricular
Use proteção ocular
Use proteção respiratória
Use proteção de cabeça



Use proteção nas mãos



Leia o manual de instruções



Cuidado!



Apenas para uso interno!



Fumaça tóxica ou gases!



Desconecte sempre da tomada elétrica, quando for fazer ajustes, trocar acessórios, limpar, efetuar manutenção ou quando não estiver em uso!



Coleta de pó necessária ou recomendada.



Construção de classe II (isolamento duplo para proteção adicional)



Proteção ambiental O descarte de produtos elétricos não deve ser feito no lixo doméstico. Faça a reciclagem em locais próprios para isso. Consulte as autoridades locais ou seu revendedor para saber como reciclar.



Cumpra a legislação e os padrões de segurança aplicáveis.

Abreviações Técnicas

V	Volts
Hz	Hertz
~, CA	Corrente alternada
==, CC	Corrente contínua
n ₀	Velocidade sem carga
A, mA	Ampere, miliampere
W, kW	Watt, Quilowatt
/min or min ⁻¹	Operações por minuto
n	Velocidade nominal
rpm	Rotações por minuto
opm	Órbitas ou oscilações por minuto
spm	Golpes por minuto
°	Graus
dB(A)	Nível sonoro, em decibéis (A ponderado)
Ø	Diâmetro
m/s ²	Metros por segundo ao quadrado (magnitude de vibração)

Especificação

Modelo:	TSPST450
Voltagem:	230V – 50Hz
Potência:	450W
Velocidade sem carga (fuso): (cinta):	2000 RPM 480 RPM
Oscilações:	58 OPM
Curso de oscilação:	16 mm
Tamanhos da lixa tubo em diâmetros:	Diâmetro 13, 19, 26, 38, 51 mm
Dimensões da correia:	100 x 610 mm
Bocal de saída de pó (Diâmetro externo):	38 mm
Tamanho da mesa (C x L):	430 x 410 mm
Tamanho da mesa inclinada (C x L):	220 x 410 mm
Inclinação da mesa?	0 a 45°
Posições de inclinação:	0°, 15°, 22,5°, 30° e 45°
Dimensões do eixo:	Rosca de 12,7 mm x 1,5 mm
Classe de proteção:	
Proteção contra entrada:	IP20
Dimensões (C x L x A):	390 x 330 x 450 mm
Peso:	12,9 kg

Como parte do desenvolvimento contínuo de nossos produtos, as especificações da Triton poderão ser alteradas sem aviso.

Informações sobre ruído e vibração

Pressão sonora L_{pA} :	76 dB(A)
Potência sonora L_{WA} :	89 dB(A)
Incerteza K:	3 dB

O nível de intensidade sonora para o operador poderá ultrapassar 85 dB(A) e, por isso, são necessárias medidas de proteção.

AVISO: Use sempre proteção auditiva apropriada, quando o ruído da ferramenta ultrapassar 85dB(A), e limite o tempo de exposição ao mínimo necessário. Caso os níveis de ruído se tornem desconfortáveis, mesmo com proteção auditiva, pare imediatamente de usar a ferramenta e verifique se a proteção auditiva está ajustada de forma correta, de modo prover a atenuação sonora correta, para o nível de ruído produzido pela ferramenta.

AVISO: A exposição do usuário à vibração da ferramenta pode resultar em perda de sentido do tato, dormência, formigamento e diminuição da capacidade de agarrar. A exposição por longo prazo pode levar a uma condição crônica. Caso necessário, limite o período de tempo que fica exposto à vibração e use luvas antivibração. Não use a ferramenta com as mãos expostas a uma temperatura abaixo da temperatura normal confortável, uma vez que a vibração tem mais impacto nessa condição. Use os valores fornecidos na especificação relativa a vibrações, para calcular a duração e frequência de uso da ferramenta.

Os níveis sonoros e de vibração da especificação são determinados de acordo com a norma EN60745, ou por padrão internacional similar. Os valores consideram o uso normal da ferramenta, sob condições de trabalho normais. Uma ferramenta montada, mantida ou usada incorretamente, poderá produzir níveis de ruído, e de vibração, superiores..

O site: www.osha.euroopa.eu fornece mais informações sobre níveis de vibração e ruído em locais de trabalho, e pode ser útil para usuários domésticos que usam ferramentas por longos períodos de tempo.

Segurança Geral Avisos sobre ferramentas elétricas

⚠ WARNING: Leia todos os avisos, instruções, ilustrações e especificações fornecidas com esta ferramenta. O descumprimento das instruções abaixo pode resultar em choque elétrico, incêndio e/ou ferimentos graves.

Guarde todos os avisos e instruções para consulta futura.

O termo "ferramenta elétrica", nos avisos, se refere a uma ferramenta que usa alimentação da rede elétrica (com cabo elétrico) ou uma bateria (sem cabo elétrico).

1) Segurança na área de trabalho

- Mantenha a área de trabalho limpa e bem iluminada.** Áreas desorganizadas ou escurecidas facilitam os acidentes.
- Não opere ferramentas elétricas em atmosferas explosivas, como na presença de líquidos, gases ou serragens inflamáveis.** Ferramentas elétricas produzem faíscas que podem inflamar a serragem ou os gases.
- Mantenha as crianças e observadores à distância, quando operar ferramentas elétricas.** Distrações podem fazer você perder o controle.

2) Segurança elétrica

- O plugue de tomada da ferramenta deve ser compatível com a tomada de parede. Nunca modifique um conector, de maneira alguma. Nunca use conectores adaptadores em ferramentas elétricas com fio terra (aterradas). Conectores sem modificações e tomadas corretas reduzem o risco de choques elétricos.
- Evite o contato de seu corpo com superfícies aterradas como tubos, radiadores, extensões e refrigeradores.** Existe um risco maior de choque elétrico se o seu corpo estiver aterrado.
- Não deixe as ferramentas elétricas expostas a chuva ou condições úmidas.** A água que entra em uma ferramenta elétrica, aumenta o risco de choque elétrico.
- Não abuse do cabo elétrico. Nunca use o cabo para carregar, puxar ou desconectar a ferramenta elétrica.** Mantenha o cabo longe de calor, óleo, bordas afiadas ou peças móveis. Cabos danificados ou emaranhados aumentam o risco de choque elétrico.
- Quando operar uma ferramenta elétrica ao ar livre, use um cabo de extensão adequado para uso externo.** A utilização de um cabo adequado para uso externo reduz o risco de choque elétrico.
- Se o uso da ferramenta elétrica em local úmido for inevitável, use uma fonte de alimentação protegida com Dispositivo de Corrente Residual (DR).** O uso de um DR reduz o risco de choque elétrico.

3) Segurança pessoal

- Mantenha-se alerta, preste atenção no que faz e use de bom senso enquanto opera a ferramenta elétrica.** Não use ferramentas elétricas quando estiver cansado ou sob influência de drogas, álcool ou medicamentos. Um momento de desatenção, quando se opera uma ferramenta elétrica, pode resultar em ferimentos pessoais graves.
- Use equipamentos de proteção individual. Use sempre proteção ocular.** Equipamentos de proteção como máscara respiratória, calçados de proteção antiderrapantes, capacete ou protetores auditivos, usados de acordo com as condições apropriadas, reduzem a ocorrência de ferimentos.

- Evite partidas não intencionais. Certifique-se de que o interruptor esteja na posição desligada, antes de conectar a ferramenta à fonte de alimentação e/ou bateria, quando estiver transportando a ferramenta.** Transportar ferramentas elétricas com seu dedo no interruptor ou energizar ferramentas elétricas com o interruptor na posição ligada, propicia acidentes.
- Remova todas as chaves ou ferramentas de trabalho, antes de ligar a ferramenta elétrica.** Uma chave deixada em uma peça rotativa da ferramenta elétrica poderá resultar em ferimentos.
- Não se estique demais. Mantenha sempre o equilíbrio e os pés em local firme.** Isto permite um melhor controle da ferramenta em situações inesperadas.
- Vista-se apropriadamente. Não use joias, nem roupas largas. Mantenha cabelos e roupas longe das peças móveis.** Roupas largas, joias e cabelos longos podem ficar presos nas peças móveis
- Se for utilizar dispositivos para a aspiração e coleta de pó, assegure-se de que estejam conectados e sejam usados corretamente.** O uso da coleta de pó pode reduzir os riscos associados à exposição ao pó.
- Não deixe que a familiaridade adquirida com o uso da ferramenta o torne complacente e ignore os princípios de segurança da ferramenta.** Uma ação descuidada pode causar ferimentos sérios, em uma fração de segundo.
- Use e cuideados com a ferramenta elétrica**
 - Não force a ferramenta elétrica. Use a ferramenta correta para sua aplicação.** A ferramenta correta fará o trabalho melhor e com mais segurança, com a produtividade para a qual foi projetada.
 - Não use a ferramenta elétrica se o interruptor liga/desliga não estiver funcionando.** Qualquer ferramenta que não puder ser controlada com o interruptor liga/desliga é perigosa e deve ser consertada.
 - Desconecte o conector de tomada da rede elétrica e/ou remova a bateria da ferramenta, antes de realizar quaisquer ajustes, trocar acessórios ou de guardá-la.** Estas medidas de segurança preventivas reduzem o risco de se ligar a ferramenta por acidente.
 - Guarde a ferramenta elétrica fora do alcance de crianças, quando não estiver em uso, e não permita que pessoas não familiarizadas com a ferramenta, e com estas instruções, a operem.** Ferramentas elétricas são perigosas nas mãos de pessoas não treinadas.
 - Preservação da ferramenta elétrica e acessórios. Verifique o alinhamento ou emperramento das peças móveis, se existem peças quebradas ou outra condição que possa afetar a operação da ferramenta.** Se a ferramenta estiver danificada, providencie o conserto, antes de usá-la. Muitos acidentes são causados por ferramentas mal conservadas.
 - Mantenha as ferramentas de corte limpas e afiadas.** Ferramentas de corte com bordas afiadas, quando mantidas corretamente, são menos propensas a emperramentos e mais fáceis de controlar
 - Use a ferramenta elétrica, seus acessórios e outros elementos de acordo com estas instruções, considerando as condições de trabalho e o serviço a ser executado.** O uso da ferramenta para operações diferentes daquelas para as quais foi projetada pode resultar em uma situação de risco
 - Mantenha as empunhaduras secas, limpas e livres de óleo e graxa.** Empunhaduras escorregadias não são seguras para o manuseamento e controle da ferramenta em situações inesperadas.
- Serviço**
 - Entregue sua ferramenta para reparos a pessoal técnico qualificado, que use apenas peças de reposição originais.** Isto garantirá que a ferramenta continuará oferecendo segurança.

Medidas de segurança da lixadeira de fuso oscilante e cinta



- Segure a ferramenta apenas pelas empunhaduras e superfícies aderentes isoladas, uma vez que a lixa poderá tocar no cabo da ferramenta.** O corte de um cabo eletrificado pode eletrificar as partes metálicas da ferramenta, provocando um choque elétrico no operador.
- Recomenda-se que a ferramenta seja sempre alimentada por meio de um dispositivo de corrente residual (DR) com especificação nominal de corrente residual de 30 mA, ou menos.**
- Caso seja necessário trocar o cabo de alimentação, isto deverá ser feito pelo fabricante ou seu agente autorizado, de modo a evitar riscos.**

Os avisos, precauções e instruções escritos neste manual não cobrem todas as possíveis condições e situações que possam ocorrer. O operador deve entender que o bom senso e o cuidado são fatores que não podem ser embutidos no produto; pelo contrário, são responsabilidade do operador.

Não utilize a Lixadeira até que esteja completamente montada e tenha lido e entendido as instruções e etiquetas de aviso associadas à mesma.

- a) **Verifique a condição da lixadeira de.** Se alguma peça estiver faltando, irregular ou não funcionar corretamente, substitua a respectiva peça antes de usar a Lixadeira.
- b) **Tenha em mente o tipo de trabalho que será feito antes de utilizar a lixadeira de.**
- c) **Prenda sua peça de trabalho.** Apóie a peça com firmeza na mesa e segure-a com ambas as mãos.
- d) **Esteja atento à direção de alimentação da peça.** Alimente a peça de trabalho sobre a lixa tubo, ou cinta, contra o sentido de rotação da mesma.
- e) **Mantenha sempre suas mãos fora do caminho da Lixadeira e de suas lixas-tubo ou cintas.** Evite colocar as mãos onde possam acabar escorregando e, assim, encostar na lixa-tubo ou cinta. Não passe seus membros por baixo da peça ou em volta da lixa-tubo, ou cinta, enquanto o eixo está rodando.
- f) **Desconecte a lixadeira, após desligá-la no botão de energia** Espere até que o eixo pare de rodar para mexer na máquina. A Lixadeira deve ser desconectada quando não em uso ou quando se for trocar bases com orifícios, lixas-tubo, eixos de borracha ou qualquer outro item.
- g) **Certifique-se de que não haja nenhum prego ou outros objetos estranhos na área da peça a ser lixada.**
- h) **Nunca use a Lixadeira para lixar superfícies molhadas.** O descumprimento desta regra poderá resultar em choque elétrico com ferimentos sérios ou algo pior.
- i) **Use apenas peças de reposições idênticas às originais quando utilizar esta lixadeira.**
- j) **Certifique-se de que a Lixadeira parou completamente antes de tocar na peça de trabalho.**
- k) **Tenha cuidado quando lixar superfícies pintadas. NÃO SE RECOMENDA** lixar superfícies com tintas à base de chumbo. A poeira contaminada é difícil de controlar, e pode causar envenenamento por chumbo.

Quando lixar superfícies pintadas:

- a) **Proteja seus pulmões.** Utilize uma máscara contra poeira ou respirador.
- b) **Não permita crianças ou mulheres grávidas na área de trabalho até que o lixamento de tinta tenha completado e a limpeza tenha sido efetuada.**
- c) **Não coma, beba e ou fume na área onde superfícies pintadas estão sendo lixadas.**
- d) **Use um coletor de poeira quando possível.** Vede a área de trabalho com plástico. Não leve a poeira de pintura para fora da área de trabalho.
- e) **Limpe completamente a área quando o trabalho de lixar a superfície pintada estiver concluído.**

Familiarização com o produto

1. Botão de alinhamento da cinta
2. Alavanca de liberação da cinta
3. Batente da peça de trabalho
4. Trava do fuso
5. Porca borboleta do batente da peça de trabalho
6. Mesa fixa
7. Compartimento das bases com orifício
8. Ajuste de ângulo da mesa
9. Medidor de ângulo da mesa
10. Posições de ângulo da mesa
11. Furos de fixação em bancada
12. Botão OFF
13. Botão ON
14. Compartimento da arruela
15. Compartimento do tambor
16. Mesa inclinável
17. Lixadeira de cinta
18. Bocal de extração de pó
19. Ajuste de ângulo da mesa
20. Compartimento das bases com orifício
21. Compartimento da chave
22. Compartimento traseiro
23. Unidade de lixamento com cinta
24. Cinta-lixá
25. Lixa-tubo (5 Tamanhos)
26. Base com orifício (5 Tamanhos)
27. Porca do fuso
28. Arruelas
29. Inserto de mesa
30. Chave
31. Cilindro de borracha (4 Tamanhos)
32. Fuso
33. Botão do fuso

Uso Pretendido

Lixadeira elétrica de mesa, alimentada por tomada, que pode ser usada tanto como uma lixadeira de fuso rotativo, com lixa-tubo de altura oscilante, ou como unidade de lixamento de cinta. Para lixar superfícies curvas e retas em peças intrincadas, bem como peças de trabalho maiores. Inclinando a seção frontal da mesa é possível realizar trabalhos de borda, tipicamente chanframento.

Desembalagem da sua ferramenta

- Desembale e inspecione cuidadosamente seu produto. Familiarize-se completamente com todos os recursos e funções
- Certifique-se de que todas as peças do produto estão presentes e em bom estado. Caso estejam faltando peças ou existam peças danificadas, substitua-as primeiro, antes de tentar usar a ferramenta.

Antes do uso

AVISO: Assegure-se de que a ferramenta está desconectada da fonte de alimentação, antes de instalar ou trocar acessórios, ou fazer quaisquer ajustes.

Instalação na bancada

Se a Lixadeira for ser usada em uma posição permanente, recomenda-se que seja fixada em uma superfície de trabalho rígida.

- Use os Furos de fixação em bancada (11) na base da Lixadeira (Fig. A) como modelo para marcar e perfurar quatro furos na superfície onde pretende instalar a máquina (por ex., bancada). Prenda a lixadeira de fuso na posição utilizando parafusos, arruelas e porcas grandes (não fornecidos) (Fig. I).
- Caso pretenda mover a Lixadeira eventualmente, prenda uma placa na base, que possa ser presa e solta com facilidade nos diversos locais de instalação.
- Se usar parafusos, assegure-se de que são longos o suficiente para penetrar a bancada ou placa e prover uma instalação firme.

Nota: Utilize contraporcas com inserto de náilon ou arruelas elásticas nos elementos de fixação para prevenir vibrações, que possam posteriormente afrouxar as fixações.

Nota: Nunca use parafusos que precisem de força para entrar nos Furos de fixação da bancada, pois poderão rachar o corpo de plástico devido ao aperto excessivo.

Coleta de pó

Para manter o ambiente de trabalho limpo e seguro, recomenda-se que a Lixadeira seja usada com um sistema de aspiração de pó.

1. Encaixe a mangueira do sistema de aspiração de pó no Bocal de extração (18) e assegure-se de que está presa
2. Para maior eficiência, ative o sistema de aspiração de pó antes de ligar a Lixadeira

Modo de lixamento com cinta

1. Para remover os componentes da lixadeira de fuso, solte a porca do fuso (27) utilizando a chave (30), remova a arruela encaixada (28), o cilindro da lixa (31), a base com orifício (26) e o inserto de mesa (29).
2. Guarde os componentes da lixadeira de fuso nos compartimentos do corpo da mesma; Estes são os compartimentos de arruelas (14), cilindros (15), base com orifício (7 e 20) e compartimento traseiro (22).
3. Encaixe a Unidade de lixamento com cinta (23) dentro do recesso da mesa fixa (6), como mostrado, e prenda na posição com o botão do fuso (33).
4. Caso necessário para operação, ajuste o Batente da peça de trabalho (3) utilizando a Porca borboleta do batente da peça de trabalho (5).
5. Caso nenhuma cinta-lixá (24) esteja instalada, mova a Alavanca de liberação da cinta (2) em direção ao Botão do fuso permitindo assim seu encaixe. Este é um mecanismo acionado por mola com certa tensão e, portanto, certifique-se de que o movimento é controlado para evitar danos.
6. Ajuste a cinta, alinhá-a na altura correta no rolete principal da Unidade de lixamento por cinta, certificando-se de que a orientação da cinta está correta (Fig. A) e corresponde ao mesmo sentido da seta.
7. Para prender a cinta, mova a Alavanca de liberação da cinta para trás em direção ao Botão de alinhamento da cinta (1).
8. Ligue a máquina e verifique se o alinhamento da cinta está correto. Desligue-a imediatamente caso o alinhamento esteja incorreto, e a cinta esteja se deslocando para cima e para baixo no rolete.

Ajuste do alinhamento

Ajuste o alinhamento da cinta utilizando o botão de alinhamento. Se a cinta estiver se movendo devagar, saindo de sua posição original, faça pequenos ajustes utilizando o botão de alinhamento. Se o alinhamento estiver ruim cada vez que a máquina for desligada, utilize a alavanca de alívio da cinta para que você possa reajustá-la na altura correta, antes de tentar utilizar o botão de alinhamento para fazer ajustes.

- Para aumentar a altura da cinta, gire o botão de alinhamento no sentido horário. Para diminuir a altura da cinta, gire o botão de alinhamento no sentido anti-horário
- Pode haver um intervalo no botão de alinhamento onde a cinta se alinha mais consistentemente. Mire sempre no meio do intervalo de ajuste para uma melhor centralização mesmo sobre carga

Nota: Se a cinta estiver alinhada incorretamente, caso esfregue contra a superfície do recesso da mesa fixa, poderá se danificar. É mais fácil ajustar o alinhamento que faz com que a cinta se mova para cima do que o que faz com que se mova para baixo, pois o movimento de baixo para cima não provocará danos à borda da cinta-lixa. Gire o botão de alinhamento da cinta no sentido horário e lixe, gradualmente, gire-o no sentido anti-horário para reduzir a altura.

Modo Lixadeira de fuso

Seleção do grão correto da lixa-tubo

- As lixas-tubo estão disponíveis em uma variedade de grãos: grosso (80), médio (150) e fino (240)
- Use um grão grosso para lixar superfícies ásperas, o grão médio para alisar o trabalho e o grão fino para fazer o acabamento.
- Use sempre lixas-tubo de boa qualidade para maximizar a qualidade final do trabalho acabado.
- É aconselhável fazer um teste em um pedaço de material sucateado, para determinar o melhor grão da lixa-tubo para o trabalho em particular. Se ainda existirem riscos na peça, após o lixamento, tente lixá-la novamente com uma lixa mais grossa para remover as marcas, antes de recomençar com a lixa do grão originalmente selecionado, ou tente usar uma nova lixa-tubo para eliminar as marcas indesejadas, antes de usar o grão mais fino e fazer o acabamento.

Instalação da lixa tubo

- Remova a lixadeira de cinta (17) desparafusando e removendo o botão do fuso (33) e então erguendo a lixadeira da mesa fixa (6). Armazene-a no compartimento traseiro (22)
- Selecione as peças corretas compatíveis utilizando a tabela de base com orifício
- Instale os componentes como mostrado (Figure II)
- Aperte a porca do fuso (27) utilizando a chave (30) para garantir que a lixa-tubo não escorregue durante sua utilização. Não aperte excessivamente.
- Caso necessário para operação, ajuste o Batente da peça de trabalho (3) utilizando a Porca borboleta do batente da peça de trabalho (5).

Nota: É recomendado utilizar uma Porca do fuso (27). Entretanto, se for frequente a troca entre o modo de lixadeira de cinta e lixadeira de fuso, o Botão do fuso (33) pode ser usado para gerar compressão suficiente para segurar a lixa-tubo. Isso irá depender do encaixe da lixa e do cilindro.

IMPORTANTE: Utilize a tabela a seguir para ajudar a determinar a base com orifício e cilindro de borracha para usar com cada lixa tubo.

Tabela das bases com orifício

Lixa-tubo (25)	Cilindro de borracha (31)	Base com orifício (26)	Arruela do fuso (28)
13mm	N/A	13mm	Pequeno
19mm	Pequeno	19mm	Médio
26mm	Médio	26mm	Médio
38mm	Grande	38mm	Médio
51mm	Muito Grande	51mm	Grande

Notas

- Todas as lixas-tubo (25) exceto as menores de 13 mm (1/2"), se encaixam sobre os Cilindros (31).
- Quando uma lixa tubo estiver desgastada apenas em baixo, é possível virá-la de cabeça para baixo e maximizar a vida útil utilizando a parte que ainda está em bom estado.
- Caso a lixa deslize sobre o cilindro quando a rotação for acionada, isso significa que a Porca do fuso (27) não está suficientemente apertada para comprimir o cilindro e a lixa.
- Certifique-se de que não há contato entre a lixa-tubo e o inserto de mesa antes de ligar a máquina.

IMPORTANTE: Não utilize uma lixa-tubo que esteja muito gasta. Isso poderá levar a um aquecimento excessivo e danificar o cilindro de borracha. Cilindros de borracha danificados devido a lixas tubo desgastadas, não serão cobertos pela garantia.

IMPORTANTE: Errar na escolha da lixa-tubo e base com orifício corretos poderá resultar em lesões nos dedos, ou na peça ser puxada para baixo entre a base e a lixa.

A lixa-tubo deve se encaixar perfeitamente no centro da forma da base com orifício.

Inclinação da mesa

A Mesa inclinável (16) pode ser inclinada até 45°, permitindo assim chanfrar com facilidade bem como executar outros trabalhos de borda.

- Afrouxe os dois Ajustes de ângulo da mesa (8 e 19), nos dois lados da mesa.
- Mova a mesa até ao ângulo desejado usando o Indicador de ângulo da mesa (9). Existem entalhes que travam (10) nas seguintes posições mais comuns (0°, 15°, 22,5°, 30° e 45°).
- Trave os dois botões de ângulo para fixar a mesa na posição desejada.

Operação

AVISO: Use SEMPRE proteção ocular, auricular e respiratória, bem como luvas apropriadas, quando trabalhar com esta ferramenta.

AVISO: Certifique-se de que as luvas e as roupas usadas não estão com fios soltos que possam ser puxados pelo eixo em rotação, o que poderia puxar também sua mão ou cabeça, e provocar graves ferimentos. É recomendado não utilizar luvas que sejam feitas de pano.

Acionamento e desligamento

Nota: Certifique-se de que não há contato entre a lixa-tubo e a base com orifício ou cinta de lixar e superfície da mesa antes de ligar a máquina.

- Pressione o Botão ON (13), localizado na frente da Lixadeira de fuso
- Para desligar (OFF) a lixadeira de fuso, pressione o Botão OFF (12)

IMPORTANTE: Para evitar a operação por crianças, remova a Trava de interruptor (13) puxando-a para fora do interruptor ON/OFF, e guardando-a em lugar seguro. Uma vez que a Trava de interruptor ON/OFF tenha sido retirada, o Interruptor ficará inoperante e, portanto, deve-se tomar cuidado para não perder a trava.

Lixamento

AVISO: Não lixe metais com a Lixadeira. Lixar metais produzirá faíscas que podem incendiar a madeira e as partículas de pó, presentes na Lixadeira e na oficina

Nota: O fuso e a cinta giram no sentido anti-horário.

- Verifique se a máquina está montada corretamente na mesa de trabalho.
- Certifique-se de estar usando todo equipamento de segurança apropriado, incluindo máscara e óculos de segurança, e então ligue o sistema de extração de pó (Se disponível)
- Ligue a Lixadeira e deixe o motor atingir a velocidade plena.
- IMPORTANTE:** Alimente a peça de trabalho gradualmente contra o sentido de rotação da lixa-tubo ou cinta (Fig.D). Caso isso não seja feito, a peça de trabalho poderá ser expelida para fora da Lixadeira, podendo causar ferimentos. Não force a peça de trabalho ou aplique força excessiva.
- Utilize o Batente da peça de trabalho (3) quando possível
- Quando terminar, desligue a máquina e desconecte-a da tomada elétrica.

Acessórios

- Seu revendedor Triton possui um estoque de acessórios e peças de reposição consumíveis incluindo lixas-tubo e cintas à sua disposição. Peças de reposição podem ser obtidas através do site: www.toolsparsonline.com

Manutenção

AVISO: Assegure-se de que a ferramenta está desligada e de que o conector está fora da tomada de energia, antes de fazer qualquer ajuste ou executar procedimentos de manutenção.

- Qualquer dano a esta ferramenta deverá ser reparado por profissionais qualificados e a máquina deverá ser inspecionada, antes de usado novamente.
- Entregue sua ferramenta para reparos a pessoal técnico qualificado, que use apenas peças de reposição originais. Isto garantirá que a ferramenta continuará oferecendo segurança.

Inspeção geral

Verifique regularmente se todos os parafusos de montagem estão apertados. Eles podem se soltar com o tempo devido à vibração.

Manutenção do cabo de alimentação

Se um cabo elétrico precisar de reparos, isso deverá ser feito pelo fabricante, por um agente do fabricante ou por um Centro de Serviços Autorizado, por motivos de segurança.

Limpeza

- Remova a poeira e a sujeira regularmente. Regularmente, sopre ou aspire o pó de todas as partes da Lixadeira e do alojamento do motor.
- Periodicamente, retire o inserto de mesa e a arruela de pressão inferior do fuso e remova qualquer acumulação de pó
- Lubrifique todas as peças móveis em intervalos regulares.
- Nunca use agentes cáusticos para limpar peças plásticas.

Não utilize produtos de limpeza para limpar as partes plásticas da ferramenta. Recomenda-se o uso de detergente neutro em um pano úmido. A água não deve nunca entrar em contato com a ferramenta.

Troca de escovas

- Com o tempo, as escovas de carbono do motor poderão ficar gastas.
- Escovas excessivamente gastas, podem causar perda de potência, falhas intermitentes, ou centelhamento visível.
- Para trocar as escovas;

1. Coloque lixadeira cuidadosamente de lado, e remova o parafuso que prende a tampa da base que dá acesso ao motor
2. Com cuidado limpe dentro, caso haja serragem acumulada ou lascas na base da tampa
3. Remova os dois parafusos que prendem a tampa da escova (Mostrado na Fig. E) e remova a tampa
4. Com cuidado remova o conjunto da escova (Fig. F)
5. Desconecte o fio ligado ao conjunto da escova e remova-a
6. Encaixe a escova de reposição e reconecte o fio.
7. Substitua o conjunto de escova do motor certificando-se de que a menor perna está corretamente posicionada (Mostrado na Fig. F)
8. Recoloque a tampa da escova e prender os parafusos
9. Repita os passos 3 a 8 com o outro conjunto da escova. É importante que sempre seja trocado as escovas em pares.
10. Reinstale e aperte a placa da base.

Alternativamente, leve a máquina a um Centro de Serviço Autorizado da Triton.

Contato

Para obter orientações sobre serviços técnicos e de reparos, contate a linha de assistência (+44) 1935 382 222.

Web: tritontools.com/en-GB/Support

Endereço:

Powerbox
Boundary Way
Lufton Trading Estate
Yeovil, Somerset
BA22 8HZ, Reino Unido

Armazenamento

- Guarde esta ferramenta com cuidado, em um lugar seguro e seco, fora do alcance de crianças. Se esta ferramenta estiver instalada permanentemente em uma oficina ou garagem, certifique-se de que o acesso ao local é restrito, para evitar que crianças operem a ferramenta.

Descarte

Cumpra sempre as leis nacionais ao descartar ferramentas elétricas que não funcionam mais e cujo reparo não é mais viável.

- Não descarte ferramentas elétricas, ou outros equipamentos elétricos e eletrônicos (WEEE) no lixo doméstico.
- Contate a autoridade local de eliminação de resíduos para saber o modo correto de descartar ferramentas elétricas.

Resolução de problemas

Problema	Possível causa	Solução
Nada funciona quando o botão ON/OFF é acionado	Não há energia	Verifique a fonte de alimentação elétrica
	Botão ON/OFF com defeito	Solicite a substituição do interruptor ON/OFF em um Centro de Serviços Autorizado
A lixa tubo (25) não gira junto com o cilindro de borracha (31)	A porca do fuso (27) não aperta o suficiente	Aperte a porca do fuso devagar até que o cilindro de borracha segure a lixa tubo
Cinta de lixar não permanece na mesma altura quando em uso	Ajuste de alinhamento incorreto	Veja 'Ajuste de Alinhamento'
Grande quantidade de pó sendo produzido	Bocal de saída de pó está bloqueado	Desligue a máquina da alimentação elétrica Remova os componentes da lixadeira ou da unidade de lixamento e remova a obstrução da passagem do extrator de pó
	Base com orifício incorreta	Troque a base com orifício por um de tamanho correto
Os cilindros de lixamento não operam em velocidade plena ou o motor faz sons que diferem do normal	Motor superaquecido	Desligue (Botão em OFF) e deixe esfriar por ½ hora
	Motor com defeito	Entre em contato com um Centro de Serviços Autorizado Triton
	As escovas precisam de substituição	Veja 'Substituição de escovas'
	A correia do motor está gasta ou deformada	Entre em contato com um Centro de Serviços Autorizado Triton

Garantia

Para registrar sua garantia, visite nosso site em www.tritontools.com* e cadastre suas informações.

Seus dados serão incluídos em nossa lista de endereços (a menos que indicado de outro modo) para que você receba informações sobre lançamentos futuros. Os dados que nos fornecer não serão repassadas a terceiros.

Registro de compra

Data de compra: ___/___/___

Modelo: TSPST450 Retenha sua nota fiscal como comprovante de compra.

Declaração de conformidade

O abaixo assinado: Sr. Darrell Morris

Conforme autorizado por: Triton

Declara que o equipamento:

Está declaração foi emitida sobre a responsabilidade do fabricante. A presente declaração está em conformidade com a Legislação de Harmonização da União (Norma europeia).

Código de identificação: TSPST450

Descrição: Lixadeira oscilante de fuso e cinta de 450 W

Está em conformidade com os seguintes padrões e diretivas:

- Diretiva de Maquinário 2006/42/EC
- Diretiva de EMC 2014/30/EU
- Diretiva de RoHS 2011/65/EU
- EN 61029-1:2009+A11:2010
- EN ISO 12100:2010
- EN 55014-1:2006+A2:2011
- EN 55014-2:1997+A2:2008
- EN 61000-3-2:2014
- EN 61000-3-3:2013

A Triton Precision Power Tools garante ao comprador deste produto que se qualquer peça estiver comprovadamente defeituosa devido a falhas de material ou mão de obra durante os próximos 3 anos a partir da data da compra original, Triton irá reparar ou, a seu critério, substituir a peça defeituosa sem custo.

Esta garantia não se aplica ao uso comercial nem se estende ao desgaste normal ou a danos decorrentes de acidente, abuso ou uso indevido.

* Registre-se online dentro de 30 dias após a compra.

Termos e condições aplicáveis.

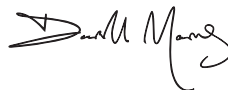
Isto não afeta seus direitos legais.

Orgão notificado: TÜV SÜD

A documentação técnica é mantida pela: Triton

Data: 22/10/2018

Assinado:



Mr Darrell Morris

Diretor Geral

Nome e endereço do fabricante:

Powerbox International Limited, Company No. 06897059. Registered address: Powerbox, Boundary Way, Lufton Trading Estate, Yeovil, Somerset BA22 8HZ, United Kingdom.

Tłumaczenie oryginalnej instrukcji

Wprowadzenie

Dziękujemy za zakup narzędzia marki Triton. Zalecamy zapoznać się z niniejszymi instrukcjami: zawierają one informacje niezbędne dla bezpiecznej i wydajnej obsługi produktu. Produkt posiada szereg unikalnych funkcji, dlatego też, nawet, jeśli jesteś zaznajomiony z podobnymi produktami, przeczytanie instrukcji obsługi umożliwi Ci pełne wykorzystanie tego wyjątkowego projektu. Przechowuj niniejsze instrukcje w zasięgu ręki i upewnij się, że użytkownicy narzędzia przeczytali i w pełni zrozumieli wszystkie zalecenia.

Opis symboli

Tabela znamionowa zawiera symbole dotyczące narzędzia. Stanowią one istotne informacje o produkcie lub instrukcje dotyczące jego stosowania.



Należy nosić środki ochrony słuchu
Należy nosić okulary ochronne
Należy nosić środki ochrony dróg oddechowych
Należy używać kasku ochronnego



Należy nosić rękawice ochronne



Należy w całości przeczytać instrukcję obsługi



Uwaga!



Do użytku wyłącznie w pomieszczeniach!



Toksyczne opary lub gazy!



Należy zawsze odłączać urządzenie od zasilania elektrycznego, podczas regulacji, wymiany akcesoriów, czyszczenia, konserwacji oraz gdy nie jest w użytku!



Zalecany, bądź wymagany system ekstrakcji pyłu



Konstrukcja klasy II (podwójnie izolowana w celu dodatkowej ochrony)



Ochrona środowiska Nie należy wyrzucać zużytych produktów elektrycznych wraz z odpadami komunalnymi. Jeśli jest to możliwe, należy przekazać produkt do punktu recyklingu. W celu uzyskania wskazówek dotyczących recyklingu należy skontaktować się z władzami lokalnymi lub sprzedawcą.



Urządzenie zgodne z odpowiednimi przepisami i normami bezpieczeństwa

Kluczowe skróty techniczne

V	Wolt
Hz	Herc
~, AC	Prąd przemienny
≡, DC	Prąd stały
n ₀	Prędkość bez obciążenia
A, mA	Ampere, milli-Amp
W, kW	Wat, kilowat
/min or min ⁻¹	Obroty lub ruch postępowo zwrotny na minutę
n	Prędkość znamionowa
rpm	Obroty lub ruch postępowy zwrotny na minutę
opm	Oscylacji na minutę
spm	Skoków na minutę
°	Stopień
dB(A)	Poziom hałasu w decybelach (A mierzony)
∅	Średnica
m/s ²	Metry na sekundę do kwadratu (wartość drgań)

Dane techniczne

Nr modelu:	TSPST450
Napięcie elektryczne:	230 V~, 50 Hz
Moc	450W
Prędkość bez obciążenia (wrzeciono):	2000/min 480 obr./min
Oscylacje:	58 oscylacji/min.
Długość skoku:	16 mm
Rozmiar tulei szlifujących:	średnica 13, 19, 26, 38, 51 mm
Rozmiary taśmy:	100 x 610 mm
Port odsysania pyłu (średnica zewnętrzna):	38 mm
Rozmiar blatu (dł. x szer.):	430 x 410 mm
Rozmiar blatu pochylonego (dł. x W):	220 x 410 mm
Pochylenie stołu:	0-45°
Nacięcia stołu pochylonego:	0°, 15°, 22.5°, 30° oraz 45°
Wymiary wrzeciona:	gwint 12,7 mm x 1,5 mm
Klasa ochrony:	
Stopień ochrony	IP20
Wymiary (dł. x szer. x wys.):	390 x 330 x 450 mm
Waga:	12,9 kg
Poziom natężenia dźwięku dla operatora może przekroczyć 85 dB(A) dlatego konieczne jest zastosowanie środków ochrony słuchu.	

Parametry emisji dźwięku i wibracji

Poziom ciśnienia akustycznego L_{pA} :	76 dB(A)
Poziom mocy akustycznej L_{WA} :	89 dB(A)
Niepewność pomiaru K:	3 dB
Poziom natężenia dźwięku dla operatora może przekroczyć 85 dB(A) dlatego konieczne jest zastosowanie środków ochrony słuchu.	

OSTRZEŻENIE: Jeżeli poziom hałasu przekracza 85dB(A) należy zawsze stosować środki ochrony słuchu oraz, jeśli to konieczne, ograniczyć czas narażenia słuchu na nadmierny hałas. Jeśli poziom hałasu powoduje dyskomfort, nawet w przypadku zastosowania środków ochrony słuchu, niezwłocznie przestań korzystać z narzędzia i sprawdź czy środek ochrony słuchu jest prawidłowo zamontowany i zapewnia odpowiedni poziom tłumienia dźwięku w odniesieniu do poziomu hałasu wytwarzanego przez narzędzie.

OSTRZEŻENIE: Narażenie użytkownika na wibracje narzędzia może spowodować utratę zmysłu dotyku, drętwienie, mrowienie i zmniejszenie zdolności uchwyty. Długotrwałe narażenie może prowadzić do stanu przewlekłego. Jeśli jest to konieczne, ogranicz czas narażenia na wibracje i stosuj rękawice antywibracyjne. Nie korzystaj z urządzenia w trybie ręcznym w temperaturze niższej niż normalna komfortowa temperatura otoczenia, ponieważ zwiększy to efekt wywoływany przez wibracje. Skorzystaj z wartości liczbowych podanych w specyfikacji dotyczącej wibracji, aby obliczyć czas trwania i częstotliwość pracy z narzędziem.

Poziom hałasu i drgań w specyfikacji określone są zgodnie z normą EN60745 lub podobnymi normami międzynarodowymi. Wartości te reprezentują korzystanie z urządzenia w normalnych warunkach roboczych. Niedbata konserwacja, nieprawidłowy montaż lub nieprawidłowe użytkowanie urządzeń mogą spowodować wzrost poziomu hałasu oraz wibracji. www.osha.europa.eu dostarcza informacji na temat poziomów hałasu i wibracji w środowisku pracy, które mogą być przydatne dla użytkowników prywatnych, którzy korzystają z urządzenia przez długi czas.

Ogólne instrukcje dotyczące bezpieczeństwa użytkownika elektronarzędzia

OSTRZEŻENIE: Należy przeczytać wszystkie instrukcje przed rozpoczęciem pracy oraz zachować je na przyszłość. Postępuj zgodnie z podaną instrukcją podczas ich użytkowania dla zmniejszenia ryzyka pożaru, obrażeń prądem oraz obrażeń ciała

Zachowaj wszystkie instrukcje do wykorzystania w przyszłości.

Termin „elektronarzędzie” odnosi się do urządzenia zasilanego sieciąwo (przewodowego) lub urządzenia zasilanego za pomocą baterii (beprzewodowego).

1) Bezpieczeństwo obszaru pracy

a) **Zadbaj o prawidłową higienę i prawidłowe oświetlenie obszaru pracy.** Zaniedbanie lub brak wystarczającego oświetlenia obszaru pracy mogą doprowadzić do wypadków.

b) **Nie należy używać elektronarzędzi w przestrzeniach zagrożonych wybuchem, np. w obecności łatwopalnych cieczy, gazów lub pyłów.** Urządzenia elektryczne wytwarzają iskry, które mogą podpalić pył lub opary.

c) **Nie dopuszczaj dzieci ani innych osób do obszaru pracy elektronarzędzi.** Nieuwaga może spowodować utratę kontroli.

2) Bezpieczeństwo elektryczne

a) **Wtyczka elektronarzędzia musi pasować do gniazda zasilania. Nie wolno modyfikować wtyczki w żaden sposób. W przypadku elektronarzędzi z uziemieniem nie należy stosować przejściówek.** Oryginalne wtyczki i pasujące gniazda zmniejszają ryzyko porażenia prądem.

b) **Unikaj dotykania uziemionych powierzchni, takich jak rury, grzejniki, piece i lodówki.** Uziemienie ciała powoduje zwiększenie ryzyka porażenia prądem.

c) **Nie wystawiaj elektronarzędzi na działanie deszczu lub wilgoci.** Przedostanie się wody do urządzenia zwiększa ryzyko porażenia prądem.

d) **Nie należy nadwyręzać kabla. Nigdy nie używaj go do przenoszenia, przemieszczania lub odłączania elektronarzędzia.** Trzymaj przewód z dala od źródeł ciepła, oleju, ostrych krawędzi lub ruchomych części urządzenia. Uszkodzone lub poplątane kable zwiększają ryzyko porażenia prądem.

e) **W przypadku korzystania z urządzenia na wolnym powietrzu używaj przedłużacza przystosowanego do użycia na zewnątrz.** Korzystanie z przedłużacza przystosowanego do użycia na zewnątrz zmniejsza ryzyko porażenia prądem.

f) **W przypadku korzystania z elektronarzędzia w miejscu o dużym natężeniu wilgoci należy używać gniazda zasilania wyposażonego w wyłącznik różnicowoprądowy (RCD).** Korzystanie z wyłącznika różnicowoprądowego zmniejsza ryzyko porażenia prądem.

3) **Bezpieczeństwo osobiste**

a) **Podczas korzystania z elektronarzędzi bądź czujny, uważaj, co robisz i zachowaj zdrowy rozsądek. Nie używaj ich, gdy jesteś zmęczony albo pod wpływem narkotyków, alkoholu lub leków.** Chwilna nieuwagi podczas obsługi urządzenia może spowodować poważne obrażenia ciała.

b) **Korzystaj ze środków ochrony osobistej. Zawsze stosuj środki ochrony oczu.** Wyposażenie ochronne, takie jak maska przeciwpyłowa, obuwie robocze antypoślizgowe na szorstkiej podszewie, kask ochronny lub nasznik ochronne używane w odpowiednich warunkach, zmniejsza ryzyko obrażeń.

c) **Zapobiegaj przypadkowemu włączeniu urządzenia. Przed podłączeniem do źródła zasilania i / lub akumulatora, podnoszeniem lub przenoszeniem narzędzia, upewnij się, że przelącznik zasilania znajduje się w pozycji wyłączonej.** Przenoszenie urządzenia z palcem umieszczonym na wyłączniku zasilania lub podłączenie elektronarzędzi przy włączonym przelączniku zasilania stwarza ryzyko wypadku.

d) **Przed włączeniem elektronarzędzia usuń z niego wszelkie klucze regulacyjne.** Narzędzie lub klucz pozostawiony w obracającej się części elektronarzędzia może spowodować obrażenia ciała.

e) **Nie wychylaj się. W każdej chwili zachowuj odpowiednią pozycję i równowagę.** Umożliwia to lepszą kontrolę nad elektronarzędziem w nieoczekiwanych sytuacjach.

f) **Noś odpowiednią odzież. Nie zakładaj do pracy z elektronarzędziami luźnej odzieży ani biżuterii.** Trzymaj włosy, odzież i rękawice z dala od ruchomych części urządzenia. Luźne ubranie, biżuteria lub długie włosy mogą zostać wciągnięte przez ruchome części urządzenia.

g) **Jeśli do zestawu załączone są urządzenia do podłączenia mechanizmów odsysania i zbierania pyłu, sprawdź czy są one przyłączone i prawidłowo zamocowane.** Korzystanie z urządzenia odsysającego pył może zmniejszyć zagrożenie pyłami.

h) **Nie pozwól aby znajome urządzenie, pozwoliła na ignorowanie zasad bezpieczeństwa.** Nieostrożne działanie może doprowadzić do poważnych obrażeń w ciągu sekund.

4) **Użytkowanie i pielęgnacja elektronarzędzi.**

a) **Nie należy przełączać urządzenia. Używaj narzędzi odpowiednich do danego zastosowania.** Prawidłowe narzędzie wykona zadanie lepiej i bezpieczniej w podanym zakresie sprawności.

b) **Nie należy używać urządzenia, jeśli nie można go włączyć lub wyłączyć za pomocą odpowiedniego przelącznika.** Urządzenia, które nie mogą być kontrolowane za pomocą przelącznika są niebezpieczne i muszą zostać oddane do naprawy.

c) **Przed dokonaniem regulacji, wymiany akcesoriów lub przechowywaniem elektronarzędzia odłącz wtyczkę od źródła zasilania i / lub akumulator od urządzenia.** Te prewencyjne środki bezpieczeństwa zmniejszają ryzyko przypadkowego uruchomienia elektronarzędzia.

d) **Nie używaj elektronarzędzie przechowuj w miejscu niedostępnym dla dzieci i nie dopuszczaj do nich osób nie znających elektronarzędzi lub ich instrukcji obsługi.** Elektronarzędzia stanowią niebezpieczeństwo w rękach niedoświadczonych użytkowników.

e) **Przeprowadzaj konserwację elektronarzędzi. Sprawdź urządzenie pod kątem nieprawidłowego ustawienia lub zablokowania elementów ruchomych, pęknięć części lub innych usterek, które mogą mieć negatywny wpływ na funkcjonowanie urządzenia.** W przypadku usterek należy naprawić urządzenie przed ponownym użyciem. Nieprawidłowa konserwacja elektronarzędzi jest przyczyną wielu wypadków.

f) **Utrzymuj narzędzia tnące w czystości i dobrze naostrzone.** Zadbane narzędzia tnące z ostrymi krawędziami tnącymi rzadziej się zacinają i łatwiej nimi sterować.

g) **Używaj elektronarzędzia, akcesoria, końcówki itp. zgodnie z tymi instrukcjami, biorąc pod uwagę warunki pracy i realizowane zadania.** Używanie narzędzi do wykonywania prac niezgodnych z ich przeznaczeniem może doprowadzić do niebezpiecznych sytuacji.

h) **Utrzymuj rękojeści oraz powierzchnie uchwytów suchą, czystą bez oleju i smaru.** Śliskie uchwyty nie zapewniają bezpiecznej obsługi i kontroli narzędzia w nieoczekiwanych sytuacjach.

5) Serwis

a) **Urządzenie powinno być serwisowane przez wykwalifikowany personel naprawczy przy użyciu wyłącznie oryginalnych części zamiennych.** Zagwarantuje to bezpieczeństwo elektronarzędzia.

Bezpieczeństwo korzystania z oscylacyjnej szlifierki wrzecionowej oraz szlifierki taśmowej



OSTRZEŻENIE!

- **Trzymaj urządzenie wyłącznie za izolowane uchwyty, bądź miejsca na nieprzeznaczone, gdyż może się zdarzyć, że szlifierka zetknie się z własnym przewodem.** Przetarcie kabla może doprowadzić do spięcia, a w konsekwencji wszystkie elementy metalowe staną się przewodnikami

prądu rażąc operatora.

- Zalecane jest zasilanie urządzenia TYLKO z wykorzystaniem wyłącznika różnicowoprądowego (RCD) o znamionowym prądzie różnicowym nieprzekraczającym 30 Ma.
- W przypadku konieczności wymiany przewodu, musi zostać wymieniony przez producenta lub autoryzowane centrum serwisowe..

Ostrzeżenia, środki zapobiegawcze i instrukcje omówione w tym podręczniku nie mogą objąć wszystkich możliwych warunków i sytuacji, które mogą się wydarzyć. Operator musi pamiętać, że zdrowy rozsądek i ostrożność to czynniki, które nie mogą być wbudowane w urządzenie, ale zależą wyłącznie od operatora. Nie wolno używać szlifierki wrzecionowej, dopóki nie zostanie całkowicie zmontowana i jeśli nie zostały przeczytane i zrozumiane załączone instrukcje i etykiety ostrzegawcze zamieszczone na urządzeniu.

- Sprawdź stan szlifierki.** Jeśli brakuje elementów lub są one zgięte, a urządzenie nie działa prawidłowo, wymień daną część przed rozpoczęciem korzystania z urządzenia.
- Określ rodzaj zadania, które chcesz wykonać, przed uruchomieniem szlifierki.**
- Zabezpiecz przedmiot obróbki.** Oprzyj go w bezpieczny sposób na stole i trzymaj obiema rękami.
- Pamiętaj o właściwym kierunku wprowadzania przedmiotu obróbki.** Przybliżaj przedmiot obróbki do tulei ścierniej w kierunku przeciwnym do kierunku obrotów wrzeciona, bądź taśmy.
- Trzymaj dłonie z dala od trasy wrzeciona i z dala od tulei ściernych, bądź taśmy szlifierskiej.** Nie ustawiaj rąk w pozycji, która mogłaby narazić je na zetknięcie z wrzecionem w przypadku nagłego obsunięcia przedmiotu obróbki. Nie sięgaj pod przedmiot obróbki lub do obszaru wokół tulei ścierniej, kiedy wrzeciono jest uruchomione..
- Odcłącz szlifierkę od źródła zasilania na jej wyłączeniu za pomocą przycisku zasilania.** Przed rozpoczęciem czynności konserwacyjnych zaczekaj, aż wrzeciono całkowicie się zatrzyma. Należy odczekać szlifierkę od zasilania w przypadku przerw w korzystaniu, wymiany wkładów, tulei ściernych, wałków gumowych i innych akcesoriów.
- Upewnij się, że szlifowany obszar nie zawiera żadnych gwoździ lub innych obcych ciał.**
- Urządzenie nie jest przeznaczone do szlifowania na mokro.** Niezastosowanie się do tego zalecenia może spowodować porażenie prądem, poważne obrażenia lub śmierć.
- Podczas serwisowania narzędzia należy stosować części zamienne identyczne z oryginalnymi.**
- Przed dotknięciem przedmiotu obróbki należy zaczekać, aż wrzeciono całkowicie się zatrzyma.**
- Zachowaj ostrożność podczas szlifowania powierzchni malowanych.** Nie jest zalecane szlifowanie powierzchni pokrytych farbą na bazie ołowiu. Zanieczyszczone pył jest trudny do opanowania i może spowodować zatrucie ołowiem.

Podczas szlifowania powierzchni malowanych:

- Chroń układ oddechowy.** Zakładaj maskę przeciwpyłową lub maskę ochronną z filtrem.
- Ogranicz dostęp dzieci lub kobiet w ciąży do obszaru roboczego aż do skończenia szlifowania farby i całkowitego oczyszczenia obszaru**
- Nie spożywaj jedzenia i napojów w miejscu szlifowania powierzchni malowanych**
- Jeśli jest to możliwe, skorzystaj z systemu odsysania pyłu.** Osłoni obszar roboczy folią. Nie wnoś pyłu powstałego w wyniku szlifowania farby poza obszar roboczy
- Dokładnie oczyść obszar roboczy po zakończeniu szlifowania powierzchni malowanej**

Przedstawienie produktu

1. Pokrętko regulacji taśmy szlifierskiej
2. Dźwignia zwolnienia taśmy
3. Blokada przedmiotu obróbki
4. Pokrętko blokady wrzeciona
5. Pokrętko motylkowe blokady przedmiotu obróbki
6. Błat stały
7. Otwory do przechowywania wkładki blatu

8. Pokrętko kąta pochylenia blatu
9. Wskaźnik kąta nachylenia blatu
10. Wycięcia kąta blatu
11. Otwory montażowe szlifierki
12. Wyłącznik
13. Włącznik
14. Szczeliny do przechowywania podkładek
15. Otwory do przechowywania wałków gumowych
16. Błat pochylony
17. Szlifierka taśmowa
18. Port odsysania pyłu
19. Pokrętko kąta nachylenia
20. Szczelina do przechowywania wkładki blatu
21. Otwór do przechowywania klucza
22. Tylny schowek
23. Jednostka szlifierki taśmowej
24. Taśma szlifierska
25. Tuleje ścierne (5 rozmiarów)
26. Wkładki blatu (5 rozmiarów)
27. Nakrętka wrzeciona
28. Podkładki wrzeciona (3 rozmiary)
29. Nakładka blatu
30. Klucz
31. Gumowe wałki (4 rozmiary)
32. Wrzeciono
33. Pokrętko wrzeciona

Zastosowanie zgodne z przeznaczeniem

Zasilana sieciowo szlifierka z możliwością montażu do stołu warsztatowego, jako szlifierka taśmowa, bądź oscylacyjna szlifierka wrzecionowa. Przeznaczona do szlifowania zaokrąglonych i prostych krawędzi na skomplikowanych jak i dużych przedmiotach obróbki. Pochylony stół umożliwia szlifowanie krawędzi, zwłaszcza fazowania.

Rozpakowanie narzędzia

- Ostrożnie rozpakuj i sprawdź narzędzie. Zapoznaj się ze wszystkimi mechanizmami i funkcjami.
- Upewnij się, że narzędzie zawiera wszystkie części i są one w dobrym stanie. Jeśli brakuje pewnych części lub są one uszkodzone, należy uzupełnić lub wymienić je przed rozpoczęciem korzystania z narzędzia.

Przygotowanie do eksploatacji

⚠ OSTRZEŻENIE: Upewnij się, że urządzenie jest odłączone od zasilania przed montażem, bądź wymianą akcesoriów, czy też dokonywaniem regulacji.

Montaż stacjonarny

W przypadku montowania stacjonarnego szlifierki zalecane jest przymocowanie jej do sztywnego podłoża.

- Użyj otworów montażowych (11) w podstawie szlifierki of the spindle sander (image A) jako szablonu do zaznaczenia i wywiercenia czterech otworów w wybranej powierzchni montażowej (np. stół warsztatowy). Przykręć szlifierkę w odpowiedniej pozycji za pomocą śrub, podkładek i nakrętek (niezałączone). (Rysunek I) W celu zachowania możliwości przenoszenia urządzenia przymocuj do podstawy szlifierki płytę, dzięki której można ją z łatwością zamontować za pomocą zacisków i zdejmować z różnych powierzchni warsztatowych.
- Korzystając ze śrub, upewnij się, że ich długość jest wystarczająca do przełożenia przez stół warsztatowy lub płytę i odpowiedniego dokręcenia.

Uwaga: Zaleca się korzystanie z nakrętek z nylonowymi wkładkami bądź podkładek sprężynowych do mocowań, w celu uniknięcia wibracji spowodowanych poluzowaniem.

Uwaga: Nigdy nie należy korzystać ze śrub, które wymagają siły do zamontowania, gdyż może to doprowadzić do złamania plastikowej obudowy, podczas dokręcania mocowania.

Odsysanie pyłu

Podczas korzystania ze szlifierki zalecane jest korzystanie z systemu odsysania pyłu dla zachowania czystszej i bezpieczniejszego środowiska pracy.

1. Przymocuj odpowiedni króciec do odsysania pyłu (18)
2. W celu uzyskania większej wydajności uruchom system do odsysania pyłu przed włączeniem szlifierki

Tryb szlifierki taśmowej

1. Aby zdjąć komponenty z oscylacyjnej szlifierki wrzecionowej, odkręć nakrętkę wrzeciona (27) przy pomocy klucza (30), po czym zdejmij zamontowaną podkładkę wrzeciona (28), gumowy walek (31), wkładkę blatu (26) oraz nakładkę blatu (29)
2. Przechowaj komponenty szlifierki wrzecionowej w wbudowanym schowku urządzenia; szczególnie do przechowania wkładek (14), otwory do przechowywania wałków gumowych (15), otwory do przechowywania wkładek do blatu (7 i 20) oraz tylny schowek (22).
3. Zamontuj jednostkę szlifierki taśmowej (23) w szczelnie blatu stołu (6) jak przedstawiono, po czym zabezpiecz przy użyciu pokrętła osłonowego (33)
4. W razie konieczności, zamontuj blokadę przedmiotu obróbki (3) przykręcając go za pomocą pokrętła motylkowego (5)
5. W przypadku, jeśli żadna taśma szlifierska (24) nie jest zamontowana, przesuń dźwignię zwolnienia taśmy (2) w kierunku pokrętła wrzeciona, aby pozwolić na zamontowanie taśmy. Jest to mechanizm sprężynowy pod napięciem, aby kontrolować ruch zapobiegając uszkodzeniu
6. Dopasuj pasek do poziomu, na jakiej jest wysokość głównej rolki jednostki szlifierki taśmowej, upewniając się o odpowiednim kierunku (Zdjęcie A) oraz dopasowaniu kierunku strzałki
7. Przesuń dźwignię zwolnienia taśmy do tyłu w kierunku pokrętła regulacji taśmy szlifierskiej (1), aby zabezpieczyć taśmę
8. Podłącz zasilanie i włącz urządzenie, jednocześnie monitorując pracę taśmy szlifierskiej, aby upewnić się, że została prawidłowo ustawiona. Wyłącz natychmiast urządzenie, jeśli taśma została nieprawidłowo ustawiona, bądź przesuwa się w górę i w dół na rolce

Regulacja taśmy

Dostosuj taśmę szlifierską przy pomocy pokrętła regulacji taśmy. Jeśli taśma przesuwa się powoli, ze swoich początkowych ustawień, dokonaj drobnych regulacji, przy pomocy pokrętła regulacji taśmy. Jeśli ruch taśmy jest bardzo powolny, należy wyłączyć urządzenie, korzystając z dźwigni zwolnienia taśmy dokonaj regulacji wysokości taśmy na prawidłową, przed ponownym użyciem pokrętła regulacji.

- Aby zwiększyć wysokość taśmy szlifierskiej, obróć pokrętło regulacji taśmy w prawą stronę. Aby zmniejszyć zaś w lewo
- Pokrętło regulacji taśmy posiada określony zakres regulacji. Zawsze należy dążyć do połowy zakresu regulacji w celu optymalnego wyśrodkowania taśmy nawet pod obciążeniem

Uwaga: Taśma szlifierska może ulec zniszczeniu, jeśli będzie się ocierała o powierzchnię w zagłębieniu stołu z powodu nieprawidłowego ustawienia. Łatwiej wyregulować taśmę do góry niż do dołu, gdyż regulacja w górę nie uszkodzi krawędzi taśmy szlifierskiej. Dokonaj większych regulacji w prawo na pokrętło regulacji taśmy, po czym stopniowo przesuwać pokrętło w lewo, aby przywrócić wysokość.

Tryb szlifierki wrzecionowej

Wybór właściwej ziarnistości tulei ścierniej

- Tuleje ściernie mają różnorodną ziarnistość: Gruboziarnista (P80), średnioziarnista (150) oraz drobnoziarnista (P240)
- W celu wygładzenia szorstkich powierzchni, należy użyć tulei gruboziarnistej, średnioziarnistej do wygładzenia materiału obróbki, zaś drobnoziarnistej w celu wykończenia obróbki
- Należy zawsze używać tulei ściernych wysokiej jakości w celu uzyskania najlepszego efektu
- Wykonaj szlifowanie próbne na niepotrzebnym kawałku materiału w celu określenia optymalnej ziarnistości dla danego typu szlifowania. W razie dalszych znaków na materiale obróbki, po zakończeniu szlifowania, zaleca się powrócić do tulei o grubszej ziarnistości, bądź wymianie tulei na nową, przed wymianą tulei na drobnoziarnistą, która służy samemu wygładzeniu.

Mocowanie tulei ścierniej

1. Zdejmij szlifierkę taśmową (17) poprzez odkręcenie i wyjęcie pokrętła wrzeciona (33) oraz podniesienie szlifierki z podstawy blatu stołu (6). Schowek z tyłu urządzenia (22)
2. Wybierz pasujące elementy korzystając z tabeli wkładek do blatu
3. Zamontuj elementy jak wskazano na zdjęciu (Zdjęciu G) <alt: (Rysunek II)>
4. Przykręć nakrętkę wrzeciona (27). Używając klucza (30) upewniając się, że tuleja ścierna nie zeslizgnie się w trakcie pracy. Pamiętaj, aby nie dokręcać zbyt mocno.
5. W razie potrzeby zamontuj ogranicznik obróbki przedmiotu (3) korzystając z pokrętła motylkowego (5)

Uwaga: Zaleca się korzystanie z nakrętki wrzeciona (27). Jednakże w przypadku, częstej wymiany między szlifierką taśmową, a oscylacyjną szlifierką wrzecionową, pokrętło wrzeciona (33) może być zastosowane, jeśli zapewnią wystarczające ściśnięcie tulei szlifującej. This will depend on the fit of the sleeve and drum.

WAŻNE: Skorzystaj z poniższej tabeli w celu prawidłowego zdeterminowania rozmiaru wkładki blatu oraz gumowego wałka do zastosowania z tuleją ścierną.

Tabela wkładek do blatu

Średnica tulei ścierniej (25)	Gumowy walek (31)	Rozmiar wkładu (26)	Podkładka wrzeciona (28)
13mm	N/A	13mm	Mały
19mm	Mały	19mm	Średni
26mm	Średni	26mm	Średni
38mm	Duży	38mm	Średni
51mm	Bardzo duży	51mm	Duży

Uwagi

- Wszystkie tuleje ściernie (25), prócz najmniejszej 13mm (1/2"), pasują na walek gumowy (31).
- Jeśli tuleja szlifierska jest zużyta u dołu wyłącznie, istnieją możliwość wywrócenia jej do góry nogami zwiększając tym samym czas użytkowania
- Jeśli tuleja obraca się na gumowym waleku, jeśli urządzenie jest włączone, nakrętka wrzeciona (27) została niewystarczająco dokręcona, aby przytrzymać walek i tuleje szlifierską.
- Upewnij się, że tuleja ścierna oraz wkładka blatu nie pozostają w kontakcie przed uruchomieniem maszyny.

WAŻNE: Nie wolno używać tulei ścierniej, która została nadmiernie zużyta. Może to doprowadzić do zwiększenia temperatury i uszkodzenia gumowego wałka. Damaged rubber drums due to worn sanding sleeves will not be covered under warranty.

WAŻNE: Nieprawidłowe dopasowanie wkładu (26) może spowodować przytrzymanie palców lub wciągnięcie przedmiotu obróbki między wkład a tuleję. Tuleja ścierna powinna być dopasowana do środkowego wcięcia wkładu. Poniższa tabela pomaga określić prawidłowy wybór wkładu i górnej podkładki wrzeciona dla każdej tulei ścierniej.

Przechylenie stołu

Pochylny blat urządzenia (16) może być pochylony do 45° umożliwia to sprawniejsze fazowanie krawędzi przedmiotu obróbki.

1. Odkręć dwa pokrętła blokady kąta (8 i 19) po obu stronach blatu
2. Przesuń blat na żądany kąt, przy użyciu skali (9). Wycięcia kątowe (10) pomogą w ustawieniu popularnych kątów (0°, 15°, 22.5°, 30° & 45°)
3. Przykręć 2 pokrętła blokujące kąt blatu

Obsługa

⚠️ OSTRZEŻENIE: ZAWSZE należy nosić wyposażenie ochronne: okulary, odpowiednią maskę przeciwpyłową, nauszники przeciwhałasowe, jak również rękawice ochronne podczas pracy niniejszym urządzeniem.

⚠️ OSTRZEŻENIE: UPEWNIJ SIĘ, że rękawice oraz ubranie ochronne noszone podczas pracy nie posiada luźnych i wystających nitok, gdyż mogą one zostać wciągnięte przez obracający się mechanizm, a co za tym idzie doprowadzić do obrażeń ciała. Zaleca się korzystanie z rękawic nietkaniowych.

Włączanie i wyłączanie

Uwaga: Upewnij się, że tuleja ścierna, bądź taśma szlifierska oraz wkładka blatu nie pozostają w kontakcie przed uruchomieniem maszyny.

- Wciśnij przycisk On (13) zlokalizowany z przodu szlifierki
- Aby wyłączyć urządzenie, wciśnij przełącznik Off (12)

Szlifowanie

OSTRZEŻENIE: Urządzenie nie nadaje się do szlifowania metalu. Szlifowanie metalu wywołuje iskry, które mogą podpałoci odłamki drewna i pył znajdujący się na urządzeniu lub w warsztacie

Uwaga: Wrzeczono oraz taśma szlifierska obracają się w lewo

- 1 Upewnij się, że urządzenie jest prawidłowo zamontowane na stole warsztatowym
 - 2 Pamiętaj o założeniu odpowiednich środków ochrony osobistej, w tym maski i okularów ochronnych, a następnie włącz system odsysania pyłu, (jeśli jest dostępny)
 - 3 Włącz szlifierkę i zaczekaj, aż silnik osiągnie pełną prędkość
- WAŻNE:** Wprowadzaj materiał obróbki do tulei ścierniej w kierunku PRZECIWNYM do kierunku obrotów tulei szlifierskiej (Zdjęcie D) bądź taśmy szlifierskiej. W przeciwnym razie siły obrotowe obracającej się tulei ścierniej spowodują odrzucenie lub odbicie przedmiotu obróbki od tulei. Nie wprowadzaj przedmiotu na siłę.
- 4 Zastosuj blokadę przedmiotu obróbki (3) w miarę możliwości
 - 5 Po zakończeniu pracy wyłącz urządzenie i odłącz je od źródła zasilania

Akcesoria

- Szeroki zakres akcesoriów oraz części zamiennych, w tym tuleje szlifujące oraz taśmy szlifierskie są dostępne u dystrybutora Triton. Części zamienne mogą być zakupione na stronie toolsparesonline.com

Konserwacja

OSTRZEŻENIE: Przed przeprowadzaniem regulacji lub wykonaniem czynności konserwacyjnych należy upewnić się, że narzędzie jest wyłączone i odłączone od źródła zasilania.

- Przed kolejnym skorzystaniem z narzędzia należy naprawić i skontrolować wszystkie uszkodzenia, przekazując produkt do wykwalifikowanego specjalisty.
- Urządzenie powinno być serwisowane przez wykwalifikowaną personel naprawczy przy użyciu wyłącznie oryginalnych części zamiennych. Zagwarantuje to bezpieczeństwo elektronarzędzia.

Kontrola rutynowa

Regularnie sprawdzaj, czy wszystkie śruby mocujące są odpowiednio dokręcone. Wibracje mogą powodować ich poluzowanie.

Konserwacja przewodu zasilającego

Ze względów bezpieczeństwa wymiana przewodu zasilania musi być przeprowadzana wyłącznie przez producenta, przedstawiciela producenta lub punkt naprawy elektronarzędzi.

Czyszczenie

- 1 Regularnie usuwaj pył i zanieczyszczenia. Regularnie i często wydmuchuj pył z wszystkich elementów szlifierki oraz z obudowy silnika
- 2 Okresowo zdejmij ścianę podgardlaną i dolną podkładkę z wrzeczona i usuwaj zanieczyszczenia nagromadzone w obszarze ściany podgardlanej.
- 3 Należy regularnie smarować wszystkie elementy ruchome narzędzia.
- 4 Do czyszczenia elementów plastikowych nie należy używać środków żrących.

Nie używaj środków czyszczących do czyszczenia elementów plastikowych narzędzia. Zalecane jest użycie łagodnego detergentu i wilgotnej szmatki. Nie wolno dopuszczać do kontaktu urządzenia z wodą.

Wymiana szczotek węglowych

- Szczotki węglowe wewnątrz silnika mogą ulec zużyciu z biegiem czasu
 - Nadmierne zużycie szczotek może powodować utratę mocy, sporadyczne awarie lub widoczne iskrzenie
 - W celu wymiany szczotek;
 - 1 Umieść szlifierkę ostrożnie na boku i wykręć wkręć, które trzymają osłonę, która zabezpiecza dostęp do silnika
 - 2 Ostrożnie wyczyść wnętrze w przypadku nagromadzonego kurzu i strużyn
 - 3 Wykręć 2 wkręty które zabezpieczają osłonę szczotek (wskazane na Zdjęciu E) i zdejmij pokrywę
 - 4 Ostrożnie wyjmij szczotki (Image F)
 - 5 Odłącz przewód przymocowany do szczotek i wyjmij szczotki
 - 6 Zamontuj nowe szczotki i podłącz przewód ponownie
 - 7 Zamontuj wszystkie elementy poprawnie (strzałka na Zdjęciu F)
 - 8 Nałóż osłonę szczotek i przykręć wkręty
 - 9 Powtórz kroki 3–8 z drugą szczotką węglową. Należy pamiętać, aby zawsze wymieniać szczotki w
 - 10 Zainstaluj ponownie i przykręć płytkę podstawy.
- W innym przypadku przekaż urządzenie do autoryzowanego punktu serwisowego.

Kontakt

W celu uzyskania porady serwisowej lub technicznej należy się skontaktować **infolinią:** (+44) 1935 382 222

Strona: tritontools.com/en-GB/Support

Adres:
Powerbox
Boundary Way
Lufton Trading Estate
Yeovil, Somerset
BA22 8HZ, United Kingdom

Przechowywanie

- Należy przechowywać narzędzie w bezpiecznym, suchym miejscu niedostępnym dla dzieci. Jeśli urządzenie jest kompletnie złożone w warsztacie, bądź garażu należy je odpowiednio zabezpieczyć przed dostępem dzieci.

Utylizacja

Należy zawsze przestrzegać przepisów krajowych dotyczących utylizacji elektronarzędzi, które nie są już funkcjonalne i nie nadają się do naprawy.

- Nie wyrzucaj elektronarzędzi lub innych odpadów elektrycznych i elektronicznych (WEEE) wraz z odpadami komunalnymi.
- Skontaktuj się z władzami lokalnymi zajmującymi się utylizacją odpadów, aby uzyskać informacje na temat prawidłowego sposobu utylizacji elektronarzędzi

Wykrywanie i usuwanie usterek

Problem	Możliwa przyczyna	Rozwiązanie
Brak reakcji po włączeniu przełącznika On/ Off	Brak mocy	Sprawdź zasilanie
	Uszkodzony przełącznik On/Off	Wymień przełącznik w autoryzowanym centrum serwisowym Triton
Tuleja ścierna (25) nie obraca się na gumowym walek (31)	Nakrętka wrzeciona (27) niewystarczająco przykręcona	Przykręć nakrętkę blokady wrzeciona powoli, do momentu zabezpieczenia, aż gumowy walek zabezpieczy tuleję ścierną
Taśma szlifierska nie pozostaje na tej samej wysokości podczas pracy	Nieprawidłowa regulacja taśmy szlifierskiej	Patrz "Regulacja taśmy szlifierskiej"
Wytwarzany nadmierna ilość pyłu i strużyn	Zablokowany kanał odsysania pyłu	Odcłącz maszynę od zasilania. Zdejmij wrzeciono, walek bądź taśmę szlifierską. Usuń blokadę z kanału odsysania pyłu.
	Użyta nieprawidłowa wkładka do blatu	Zmień rozmiar wkładki na prawidłowy
Gumowy walek nie obraca się z maksymalną prędkością, bądź silnik wydaje nieznaną dźwięki	Przegrzany silnik	Wyłącz urządzenie i odczekaj 1/2 h
	Uszkodzony silnik	Skontaktuj się z autoryzowanym Centrum Serwisowym Triton
	Konieczna wymiana szczotek węglowych	Patrz "Wymiana szczotek"
	Zużyty bądź rozciągnięty pasek silnika	Skontaktuj się z autoryzowanym Centrum Serwisowym Triton

Gwarancja

W celu rejestracji gwarancji odwiedź naszą stronę internetową www.tritontools.com i podaj odpowiednie dane. Dane zostaną dodane do naszej listy wysyłkowej (chyba, że wskazano inaczej) w celu przesłania informacji dotyczących przyszłych produktów. Dostarczone danie nie zostaną udostępnione osobom trzecim.

Protokół zakupu

Data zakupu: ___/___/___

Model: TSPST450 Należy zachować paragon jako dowód zakupu

Deklaracja Zgodności WE

Niżej podpisany: Mr Darrell Morris

upoważniony przez: Triton

Oświadczam, że: Powyższa deklaracja została wydana na wyłączną odpowiedzialność producenta. Opisany powyżej przedmiot deklaracji jest zgodny z właściwymi przepisami Unijnego prawodawstwa harmonizacyjnego

Kod identyfikacyjny: TSPST450

Opis: Oscylacyjna szlifierka wrzecionowa oraz szlifierka taśmowa w jednym 450 W

Produkt jest zgodny z następującymi dyrektywami oraz normami:

- Dyrektywa maszynowa 2006/42/EC
- Dyrektywa kompatybilności elektromagnetycznej 2014/30/EC
- Dyrektywa RoHS 2011/65/EU
- EN 61029-1:2009+A11:2010
- EN ISO 12100:2010
- EN 55014-1:2006+A2:2011
- EN 55014-2:1997+A2:2008
- EN 61000-3-2:2014
- EN 61000-3-3:2013

Precyzyjne Elektronarzędzia Triton gwarantują nabywcy tego produktu pewność, iż w razie usterki bądź uszkodzenia z powodu wad materiałowych lub jakości wykonania, w ciągu 3 lat od daty zakupu, firma Triton naprawi bądź według własnego uznania bezpłatnie wymieni uszkodzoną część.

Powyższa gwarancja nie pokrywa szkód spowodowanych naturalnym zużyciem, nieprawidłowym użytkowaniem, nieprzebrnięciem zaleceń obsługi, wypadkami lub wykorzystaniem urządzenia do celów komercyjnych.

* Zarejestruj swój produkt w ciągu 30 dni od daty zakupu.

Obowiązują zasady i warunki użytkowania.

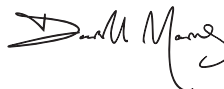
Powyższe postanowienia nie mają wpływu na prawa ustawowe klienta.

Jednostka notyfikowana: TÜV SÜD Product Service

znajduje się w posiadaniu: Triton

Data: 12/10/2016

Podpis:



Darrell Morris

Dyrektor Naczelny

Nazwa i adres producenta:

Powerbox International Limited, zarejestrowany pod numerem 06897059.

Adres rejestracyjny firmy : Powerbox, Boundary Way, Lufton Trading Estate,

Yeovil, Somerset BA22 8HZ, United Kingdom.

Перевод исходных инструкций

Введение

Благодарим за выбор инструмента Triton. В этом руководстве содержится информация, необходимая для безопасной и эффективной эксплуатации изделия. Данное изделие отличается некоторыми уникальными особенностями, и даже если вы уже знакомы с аналогичными изделиями, важно внимательно прочитать это руководство и понять содержащиеся в нем инструкции. Убедитесь, что каждый пользователь инструмента ознакомился с руководством и понял его.

Символы и обозначения

На паспортную табличку инструмента могут быть нанесены символы. Они предоставляют важную информацию об изделии или инструкции по его эксплуатации.



Пользоваться средствами защиты органов слуха
Пользоваться средствами защиты органов зрения
Пользоваться средствами защиты органов дыхания
Пользоваться средствами защиты головы



Пользоваться средствами защиты рук



Прочитайте руководство



Осторожно!



Использовать только в помещении!



Ядовитые пары или газы!



Перед регулировкой, сменой оснастки, чисткой, обслуживанием и хранением прибора всегда отключайте его от сети питания.



Требуется или рекомендуется вытяжка пыли.



Конструкция класса II (двойная изоляция для дополнительной защиты)



Охрана окружающей среды Утилизация электротехнических изделий с бытовым мусором запрещена. Такие изделия сдают в пункты утилизации, имеющие специальное оборудование. За рекомендациями по утилизации обращайтесь в местные органы власти или к дилеру.



Соответствует применимым законодательным актам и нормам

Сокращения технических терминов

В	Напряжение (В)
Гц	Герц
~, AC	Переменный ток
≡, DC	Постоянный ток
А, mA	Ампер, миллиампер
Вт, кВт	Ватт, киловатт
n_0	Частота вращения без нагрузки
/мин или мин ⁻¹	Число операций в минуту
n	Номинальная частота вращения
об/мин	Число оборотов в минуту
в/мин	Число вращательных или возвратно-поступательных движений в минуту
х/мин	Число ходов в минуту
°	Градусы
дБ(А)	Уровень звука в децибелах (взвешенный по А)
Ø	Диаметр
м/с ²	Метры в секунду в квадрате (значение вибрации)

Технические характеристики

Номер модели:	TSPST450
Напряжение:	230 В переменного тока, 50 Гц
Мощность	450 Вт
Частота вращения шпинделя без нагрузки:	2000 об/мин
(лента):	480 об/мин
Частота колебаний шпинделя:	58 мин ⁻¹
Ход:	16 мм
Размеры шлифовальных втулок:	диам. 13, 19, 26, 38, 51 мм
Размеры ленты:	100 x 610 мм
Соединитель для отвода пыли (наружный диаметр):	38 мм
Размеры стола (ДxШ):	430 x 410 мм
Размеры наклонного стола (ДxШ):	220 x 410 мм
Угол наклона стола:	0-45°
Пазы для наклона стола:	0°, 15°, 22.5°, 30° и 45°
Размеры шпинделя:	12,7 мм x 1,5 мм, резьба
Класс защиты:	
Степень защиты оболочки	IP20
Габаритные размеры (Д x Ш x В):	390 x 330 x 450 мм
Масса:	12,9 кг

Ввиду того, что продукция постоянно совершенствуется, технические характеристики изделий Triton могут изменяться без уведомления.

Информация по шуму и вибрации

Уровень звука излучения L_{pA} :	76 дБ(A)
Корректированный уровень звуковой мощности L_{WA} :	89 дБ(A)
Погрешность K:	3 дБ
Poziom natężenia dźwięku dla operatora może przekroczyć 85 dB(A) dlatego konieczna jest zastosowanie środków ochrony słuchu.	

ВНИМАНИЕ! Если уровень звука превышает 85 дБ(A), то обязательно используйте средства защиты органов слуха. При необходимости ограничивайте продолжительность работы. Если шум вызывает дискомфорт даже при использовании средств защиты, незамедлительно выключите инструмент и убедитесь, что защита надежна правильно, а ее звукоизолирующие характеристики соответствуют уровню звука, вырабатываемого инструментом.

ВНИМАНИЕ! Воздействие вибрации инструмента на человека может вызвать потерю чувствительности, онемение, покалывание и снижение способности удерживать предметы. Продолжительное воздействие чревато развитием хронических заболеваний. При необходимости ограничивайте продолжительность работы и используйте антивибрационные перчатки. Не работайте в ручном режиме, если температура ниже комфортного уровня: в таких условиях вибрация оказывает более выраженное воздействие на организм. Продолжительность и периодичность работы с инструментом можно рассчитать по значениям, которые приведены в разделе «Технические характеристики».

Указанные в характеристиках уровни звука и вибраций получены в соответствии с EN60745 или аналогичными международными стандартами. Значения справедливы для инструмента в нормальном рабочем состоянии, эксплуатируемого в нормальных условиях. Нарушение регламента обслуживания, порядка сборки или эксплуатации инструмента может являться причиной повышения уровня звука и вибраций. На сайте www.osha.europa.eu представлена информация по уровням звука и вибраций на рабочем месте, которая может оказаться полезной для пользователей, работающих с инструментом в бытовых условиях в течение продолжительного времени.

Общие правила техники безопасности при работе с электроинструментом

⚠ ВНИМАНИЕ! Ознакомьтесь со всеми предупреждениями, инструкциями, иллюстрациями и техническими характеристиками, относящимися к данному электроинструменту. Пренебрежение приведенными ниже инструкциями чревато поражением электрическим током, пожаром и/или серьезными травмами.

Сохраните все предупреждения и инструкции на будущее.

В разделе, посвященном технике безопасности, термин «электроинструмент» относится как к проводным (работающим от сети), так и к беспроводным (работающим от аккумулятора) инструментам.

- 1) Безопасность на рабочем месте**
 - а) Следите за чистой и освещенностью рабочего места.** Беспорядок или недостаток освещения повышают вероятность несчастного случая.
 - б) Не работайте с электроинструментом во взрывоопасной атмосфере (например, в присутствии воспламеняющейся жидкости, газов или пыли).** Электроинструмент вырабатывает искры, которые могут воспламенить пыль или пары.
 - в) Во время работы с электроинструментом не позволяйте детям и посторонним лицам приближаться к вам.** Они будут отвлекать ваше внимание, и вы можете потерять управление.
- 2) Электробезопасность**
 - а) Вилки электроинструмента должны соответствовать розеткам.** Категорически запрещается вносить какие-либо изменения в конструкцию вилки. Не разрешается подключать заземленный электроинструмент к сети через переходники. Применение стандартных вилок и соответствующих им розеток снижает риск поражения электрическим током.
 - б) Не касайтесь заземленных предметов: трубопроводов, радиаторов, электрических плит и холодильников.** Если ваше тело

заземлено, то риск поражения электрическим током увеличивается.

- в) Берегите электроинструмент от дождя и влаги.** Попадание воды внутрь электроинструмента увеличивает риск поражения электрическим током.
 - г) Не допускайте повреждения электрического шнура.** Запрещается переносить, тянуть или отключать электроинструмент от сети за шнур. Берегите шнур от нагрева, контакта с маслом, острыми крошками или движущимися деталями. Поврежденный или запутанный шнур увеличивает риск поражения электрическим током.
 - д) При работе с электроинструментом вне помещения пользуйтесь удлинителем, пригодным для эксплуатации в таких условиях.** Применение удлинителя, пригодного для эксплуатации вне помещения, снижает риск поражения электрическим током.
 - е) Если работа во влажных условиях неизбежна, то электроинструмент следует подключать к источнику питания, снабженному устройством защитного отключения (УЗО).** Применение УЗО снижает риск поражения электрическим током.
- 3) Личная безопасность**
 - а) Будьте внимательны, следите за тем, что делаете и руководствуйтесь здравым смыслом при работе с электроинструментом.** Запрещается пользоваться электроинструментом, если вы устали или находитесь под действием алкоголя, наркотиков или лекарственных препаратов. Даже кратковременное ослабление внимания во время работы чревато тяжелой травмой.
 - б) Пользуйтесь средствами индивидуальной защиты. Всегда пользуйтесь средствами защиты органов зрения.** Грамотное применение средств защиты (например, респиратора, нескользкой защитной обуви, каски или средств защиты органов слуха) снижает риск травм.
 - в) Не допускайте непреднамеренного включения. Перед тем как подключить инструмент к розетке и/или аккумулятору, поднимайте или переносите его убедитесь, что выключатель питания находится в положении «выключено».** Если держать палец на выключателе питания при переносе инструмента или заряжая инструмент с выключенным выключателем питания, то риск несчастного случая увеличится.
 - г) Выбирайте регулировочные ключи прежде чем включать электроинструмент.** Гаечный ключ, присоединенный к вращающейся части электроинструмента, может нанести травмы.
 - д) Не тянитесь за пределы комфортной зоны досягаемости. Твердо стойте на ногах и сохраняйте равновесие.** Это позволит увереннее контролировать инструмент в неожиданных ситуациях.
 - е) Одевайтесь надлежащим образом. Свободная одежда и украшения не допускаются. Держите волосы и одежду подальше от движущихся частей инструмента.** Свободную одежду, украшения или длинные волосы может наматывать на движущиеся части.
 - ж) Обязательно пользуйтесь устройствами вытяжки и сбора пыли, если конструкцией предусмотрены соединители для них. Соблюдайте правила их эксплуатации.** Такие устройства снижают риски, связанные с пылью.
 - з) Не позволяйте себе расслабляться и игнорировать правила безопасности по мере набора опыта работы с инструментами.** Получить тяжелую травму при неосторожном обращении – дело доли секунды.
 - 4) Эксплуатация электроинструмента и уход за ним**
 - а) Не допускайте перегрузки электроинструмента. Правильно подбирайте инструмент под свои задачи.** Грамотно подобранный инструмент будет работать качественнее и безопаснее без превышения номинальной нагрузки.
 - б) Не работайте с электроинструментом, если выключатель питания не включается или не выключается.** Любой электроинструмент с неработающим выключателем опасен и подлежит ремонту.
 - в) Отсоединяйте электроинструмент от розетки и/или аккумулятора (если он съемный), прежде чем выполнять настройки, менять оснастку или укладывать его на хранение.** Данная мера предосторожности исключает случайный пуск инструмента.
 - г) Храните электроинструмент в местах, недоступных для детей, и не позволяйте работать с ним лицам, не знакомым с электроинструментом или не изучившим данные инструкции.** Электроинструмент опасен в неумелых руках.
 - д) Обслуживайте электроинструмент и оснастку. Следите за тем, чтобы не было бинения или заедания движущихся частей, сломанных деталей или признаков других неисправностей, способных повлиять на работу электроинструмента. Если инструмент поврежден, то эксплуатацию разрешается возобновлять только после ремонта.** Причиной многих несчастных случаев становится неудовлетворительное обслуживание электроинструмента.
 - е) Следите за чистой режущей инструмента и состоянием его режущих кромок.** Если режущий инструмент надлежащим образом

обслужен, то снижается вероятность защемления и облегчается управление.

- ж) **Соблюдайте эти инструкции при эксплуатации электроинструмента, оснастки и режущего инструмента. Учитывайте условия и особенности предстоящей работы.** Использование электроинструмента не по назначению может быть опасным.
- з) **Следите за тем, чтобы рукоятки и другие поверхности хвата были сухими и чистыми. Наличие на них масла и консистентной смазки не допускается.** Скользкие рукоятки и прочие поверхности хвата опасны и не обеспечивают надежного контроля за инструментом в неожиданной ситуации.
- 5) **Ремонт**
- а) **Ремонт электроинструмента должен производиться квалифицированным специалистом с использованием идентичных запчастей.** Только в этом случае ремонт электроинструмента не скажется на его безопасности отрицательным образом.

Техника безопасности при работе со шлифовальной машинкой с плавающим шпинделем и лентой



ВНИМАНИЕ!

- **Держите электроинструмент только за изолированные рукоятки или захватные поверхности, так как шлифовальная лента или иной абразивный инструмент может коснуться шнура питания.** Надрезание находящегося под напряжением проводника может привести к тому, что неизолированные металлические детали инструмента тоже окажутся под напряжением. Это чревато поражением электрическим током.
- **Рекомендуется включать инструмент через устройство защитного отключения с номинальным остаточным током 30 мА или меньше.**
- **Замена поврежденного электрического шнура (в случае необходимости) должна выполняться производителем, его сервисным представителем или лицами аналогичной квалификации.**

Приведенные в этом руководстве предупреждения, меры предосторожности и инструкции не могут охватить все условия и ситуации, которые могут возникнуть. Следует помнить, что никакие конструктивные меры защиты не смогут заменить здравый смысл и осторожность. Эксплуатацию шлифовальной машинки можно начинать только тогда, когда она будет собрана полностью, а оператор прочитает и поймет настоящие инструкции и предупреждающие надписи на корпусе инструмента.

- 1) **Проверьте состояние шлифовальной машинки.** Если какая-либо деталь отсутствует, деформирована или не работает должным образом, то работу с машинкой можно начинать только после замены такой детали.
- 2) **Определите тип операции, которую предстоит выполнить, до начала работы с машинкой.**
- 3) **Фиксируйте заготовку.** Она должна надежно лежать на столе. Удерживайте заготовку обеими руками.
- 4) **Правильно выбирайте направление подачи.** Заготовка должна подаваться на шлифовальную втулку или ленту в направлении, противоположном направлению вращения втулки или движения ленты.
- 5) **Держите руки подальше от траектории движения машинки и шлифовальных втулок или ленты.** Избегайте таких положений рук, из которых в случае неожиданного проскальзывания руки будут двигаться в направлении шпинделя или ленты. Не протягивайте руки под заготовкой или в обход шлифовальной втулки или ленты, если шпиндель вращается.
- 6) **Отключив выключатель, отсоедините шлифовальную машинку от сети питания.** Перед обслуживанием дождитесь полной остановки шпинделя. Перед сменой вставки, шлифовальных втулок, шлифовальных лент и прочих деталей следует обязательно отключить машинку от сети.
- 7) **Следите за тем, чтобы на обрабатываемом участке заготовки не было гвоздей и других посторонних предметов.**
- 8) **Запрещается применять эту машинку для влажного шлифования!** Нарушение этого правила может привести к поражению электрическим током с самыми серьезными последствиями.
- 9) **При обслуживании шлифовальной машинки использовать только идентичные запчасти.**
- 10) **Прежде чем касаться заготовки дождитесь полной остановки шпинделя.**

11) **Соблюдайте осторожность при обработке окрашенных поверхностей. НЕ РЕКОМЕНДУЕТСЯ** шлифовать поверхности, покрытые краской на свинцовой основе. Загрязненная пыль может вызвать отравление свинцом. Борьба с такой пылью – очень сложная задача.

Обработка окрашенных поверхностей

- 1) **Берегите легкие.** Пользуйтесь защитной маской или респиратором.
- 2) **Не пускайте детей и беременных женщин в рабочую зону до тех пор, пока не закончите шлифование окрашенных поверхностей и уборку.**
- 3) **Запрещается есть, пить или курить в зоне, в которой выполняется шлифование окрашенных поверхностей.**
- 4) **По возможности пользуйтесь системой сбора пыли.** Закройте рабочую зону полиэтиленом. Следите за тем, чтобы не вынести пыль краски из рабочей зоны.
- 5) **После завершения шлифования окрашенных поверхностей выполните тщательную уборку рабочей зоны.**

Знакомство с изделием

1. Ручка центровки ленты
2. Рычаг ослабления ленты
3. Упор для заготовки
4. Ручка фиксации шпинделя
5. Гайка-барашек упора для заготовки
6. неподвижный стол
7. Место для хранения вставок
8. Ручка регулировки угла наклона стола
9. Шкала угла наклона стола
10. Пазы для наклона стола
11. Отверстия для крепления к верстаку
12. Кнопка выключения
13. Кнопка включения
14. Место для хранения шайб
15. Место для хранения барабанов
16. Наклонный стол
17. Ленточная шлифовальная машинка
18. Соединение для отвода пыли
19. Ручка регулировки угла наклона стола
20. Место для хранения вставок
21. Место для хранения ключей
22. Место для хранения в задней части
23. Блок плоского шлифования
24. Шлифовальная лента
25. Шлифовальные втулки (5 размеров)
26. Вставки (5 размеров)
27. Гайка шпинделя
28. Шайбы шпинделя
29. Вставка для стола
30. Гаечный ключ
31. Шлифовальные барабаны (4 размера)
32. Шпиндель
33. Ручка фиксации шпинделя


Назначение

Настоящая шлифовальная машинка с питанием от сети, которая может работать либо с вращающимся и совершающим вертикальные колебания шлифовальным барабаном, либо с блоком плоского шлифования. Предназначена для шлифования криволинейных и прямолинейных поверхностей фигурных и крупногабаритных заготовок. Наклонная передняя часть стола обеспечивает возможность обработки кромок, в частности, обработки фасок.

Распаковывание инструмента

- Аккуратно распакуйте и осмотрите инструмент. Ознакомьтесь со всеми его характеристиками и функциями.
- Убедитесь, что все детали инструмента находятся в хорошем состоянии. Если какие-либо детали отсутствуют или повреждены, то эксплуатация инструмента разрешается только после замены таких деталей.

Перед эксплуатацией

 **ВНИМАНИЕ!** Прежде чем устанавливать или менять какую-либо оснастку или выполнять регулировку, отключите инструмент от сети питания.

Установка на стол

Если шлифовальная машинка будет работать в постоянном положении, рекомендуется прикрепить ее к жесткой опорной поверхности.

- Разметьте четыре отверстия в установочной поверхности (например, на верстаке) по отверстиям для крепления к верстаку (11) в основании машинки (рисунок А) и просверлите их. Закрепите машинку крупными болтами, шайбами и гайками (не поставляются) (рисунок I).
- Если машинку нужно периодически переносить с места на место, прикрепите к ее основанию доску, которую можно легко фиксировать на установочных поверхностях струбцинами.
- Длина крепежных болтов (если они используются) должна быть такой, чтобы они выступали за верстак или доску на длину, достаточную для надежного крепления.

Примечание. Для предотвращения вибраций при ослаблении крепежа используйте нейлоновые подкладные стопорные шайбы или шайбы Гровера.

Примечание. Запрещается использовать болты, которые нужно с силой проталкивать через отверстия для крепления к верстаку; в противном случае можно сломать пластиковый корпус. К аналогичным последствиям может привести и чрезмерная затяжка крепежа.

Вытяжка пыли

Рекомендуется применять систему вытяжки пыли со шлифовальной машинкой. Благодаря вытяжке рабочая среда будет чище и безопаснее.

- Присоедините шланг системы вытяжки к соединению для отвода пыли (18) и надежно закрепите его.
- Для повышения эффективности рекомендуется включать вытяжку раньше шлифовальной машинки.

Режим плоского шлифования

- Чтобы демонтировать компоненты шпиндельной шлифовальной машинки, открутите гайку шпинделя (27) ключом (30) и снимите установленные детали: шайбу шпинделя (28), шлифовальный барабан (31), плоскую вставку (26) и вставку для стола (29).
- Снятые детали хранят в специальных отделениях в основном корпусе: месте для хранения шайб (14), месте для хранения барабанов (15), месте для хранения вставок (7 и 20) и месте для хранения в задней части (22).
- Установите блок плоского шлифования (23) в выемку неподвижного стола (6), как показано на рисунке, и закрепите его ручкой фиксации шпинделя (33).
- Если нужен упор для заготовки (3), установите его и закрепите гайкой-барашком (5).
- Если шлифовальная лента (24) не установлена, переместите рычаг ослабления ленты (2) к ручке фиксации шпинделя, чтобы можно было надеть ленту. Этот механизм нагружен пружиной и несколько сопротивляется перемещению. Контролируйте движение, чтобы не допустить повреждения.
- Наденьте ленту, выровняйте ее на нужной высоте на главном ролике блока плоского шлифования. Проследите за тем, чтобы лента была правильно ориентирована (рисунок А) и соответствовала направлению, указанному стрелкой.
- Зафиксируйте ремень, переведя рычаг ослабления ленты назад к ручке центровки ленты (1).
- Подключите инструмент к сети и включите его. Обратите внимание на центровку ленты и убедитесь, что она в норме. Если лента не отцентрована и перемещается вверх или вниз по ролику, незамедлительно отключите инструмент.

Регулировка центровки

Для регулировки центровки ленты используют ручку центровки. Если лента медленно смещается относительно исходного положения, выполните небольшую регулировку с помощью ручки центровки. Если центровка оказывается неудовлетворительной после каждого отключения инструмента, отрегулируйте высоту расположения ленты, отпустив ее рычагом ослабления ленты, и только потом выполняйте регулировку ручкой центровки.

- Чтобы увеличить высоту расположения ленты, поворачивайте ручку центровки по часовой стрелке. Чтобы уменьшить высоту, поворачивайте ручку против часовой стрелки.
- Ручка центровки ленты может обеспечивать такой диапазон регулировки, в пределах которого достигается стабильное положение ленты. Для оптимальной центровки (в том числе и под нагрузкой) всегда стремитесь попасть в середину диапазона регулирования.

Примечание. Если лента будет тереться о поверхность в выемке неподвижного стола из-за неправильной центровки, то она может повредиться. Легче устранить погрешность, которая вызывает смещение ленты вверх, а не вниз, так как движение вверх не приведет

к повреждению кромки ленты. Поверните ручку центровки на большой угол по часовой стрелке, а затем выровняйте высоту постепенными поворотами против часовой стрелки.

Режим шпиндельной шлифовальной машинки

Выбор шлифовальной втулки по зернистости

- Существуют несколько классов шлифовальных втулок: крупнозернистые (зернистость F80), среднезернистые (зернистость F150) и мелкозернистые (зернистость F240).
- Крупнозернистые абразивный инструмент применяется для черновой обработки, среднезернистый для получистовой обработки, а мелкозернистый – для чистовой обработки.
- Чтобы качество обработки всегда оставалось высоким, пользуйтесь только высококачественными шлифовальными втулками.
- Оптимальную зернистость абразива для каждой конкретной операции рекомендуется определять путем пробных проходов по ненужному куску материала. Если шлифуем не удается убрать какие-либо поверхностные дефекты заготовки, попробуйте либо выполнить черновой проход абразивом с более крупным размером зерна (а затем вернуться к исходной зернистости), либо удалить дефекты свежей шлифовальной втулкой и доделать работу абразивом выбранной (более мелкой) зернистости.

Установка шлифовальной втулки

- Снимите ленточную шлифовальную машинку (17): открутите и уберите ручку фиксации шпинделя (33), затем поднимите машинку с неподвижного стола (6). Уберите ее на место для хранения в задней части (22).
- Выберите подходящие детали по таблице вставок.
- Установите компоненты, как показано на рисунке (рисунок G). <alt: (рисунок I)>
- Затяните гайку шпинделя (27) ключом (30), чтобы шлифовальная втулка не проскальзывала во время работы. Не затягивайте слишком сильно.
- Если нужен упор для заготовки (3), установите его и закрепите гайкой-барашком (5).

Примечание. Рекомендуется использовать гайку для шпинделя (27). Однако если переход из режима плоского шлифования в режим шпиндельной машинки выполняется часто, можно использовать ручку фиксации шпинделя (33), если она сможет обеспечить достаточный прижим для удержания шлифовальной втулки. Это зависит от посадки втулки на барабане.

ВАЖНО! Вставку и барабан подбирают под конкретную шлифовальную втулку по таблице ниже.

Таблица вставок

Шлифовальная втулка (25)	Шлифовальный барабан (31)	Вставка (26)	Шайба шпинделя (28)
13 MM	М/П	13 MM	Малая
19 MM	Малая	19 MM	Средняя
26 MM	Средняя	26 MM	Средняя
38 MM	Большая	38 MM	Средняя
51 MM	Очень большая	51 MM	Большая

Примечания.

- Все шлифовальные втулки (25) (кроме самых маленьких – на 13 мм) подходят к ответным барабанам (31).
- Когда шлифовальная втулка износилась только снизу, можно перевернуть ее и выработать абразивный материал, оставшийся на другой стороне.
- Если втулка прокручивается на барабане после включения питания, это значит, что гайка шпинделя (27) затянута слабо, барабан не сжат, и не фиксирует втулку.
- Перед включением машинки проследите за тем, чтобы шлифовальная втулка не касалась вставки стола.

ВАЖНО! Не работайте с чрезмерно изношенной шлифовальной втулкой: такие втулки сильно нагреваются, и барабан может повредиться. Повреждение барабанов, обусловленное работой с изношенными шлифовальными втулками, не является гарантийным случаем.

ВАЖНО! Неправильный выбор вставки (26) может привести к защемлению палычев или уводу заготовки в зазор между вставкой и шлифовальной втулкой.

Шлифовальная втулка должна плотно садиться в центральное отверстие вставки.

Наклон стола

Стол (16) можно наклонять на угол до 45°. Это позволяет легко обрабатывать фанки и выполнять прочие операции с кромками.

1. Ослабьте 2 ручки регулировки угла наклона (8 и 19) с обеих сторон стола.
2. Переведите стол в нужное угловое положение, руководствуясь шкалой угла наклона стола (9). Для наиболее распространенных положений (0°, 15°, 22.5°, 30° и 45°) предусмотрены пазы для наклона (10) с фиксатором.
3. Затяните 2 ручки регулировки угла наклона стола, чтобы зафиксировать стол в выбранном положении.

Эксплуатация

⚠️ ВНИМАНИЕ! При работе с этим инструментом ВСЕГДА пользуйтесь подходящими средствами защиты органов зрения, дыхания и слуха. Пользуйтесь подходящими перчатками.

⚠️ ВНИМАНИЕ! ЗАПРЕЩАЕТСЯ использовать перчатки и другую одежду, имеющие выступающие нити: они могут наматываться на вращающийся шпиндель и притянуть к нему руку или голову. Результатом может стать тяжелая травма. Не рекомендуется использовать перчатки на тканевой основе.

Включение и выключение

Примечание. Перед включением машинки проследите за тем, чтобы шлифовальная втулка не касалась вставки, или шлифовальная лента не касалась поверхности стола.

- Нажмите кнопку включения (13), которая располагается в передней части шлифовальной машинки.
- Чтобы отключить машинку, нажмите кнопку отключения (12).

Примечание. Конструкция кнопки включения/выключения обеспечивает удобное нажатие и быстрое отключение, если она находится в положении «включено».

ВАЖНО! Чтобы предотвратить использование инструмента детьми, выщипайте фиксатор выключателя (13) из кнопки включения/выключения и спрячьте его в надежном месте. Без фиксатора кнопка включения/выключения не будет работать, поэтому важно не потерять фиксатор.

Шлифование

ВНИМАНИЕ! Не допускается применять эту машинку для шлифования металла. При шлифовании металла выделяются искры, которые могут воспламенить дерево и древесную пыль на машинке или в цеху.

Примечание. Шпиндель вращается или лента движется против часовой стрелки.

1. Убедитесь, что машинка надежно закреплена на верстаке,
2. Наденьте подходящие средства защиты (включая маску и защитные очки), затем включите систему вытяжки пыли (если имеется).
3. Включите шлифовальную машинку и дайте электродвигателю разогнаться до полных оборотов.

- ВАЖНО!** Начинайте плавно подавать заготовку к шлифовальной втулке ПРОТИВ направления вращения (рисунок D). В противном случае заготовку может оттолкнуть от шлифовальной втулки или ленты. Результатом может стать травма. Не прикладывайте к заготовке чрезмерных усилий и не давите на нее слишком сильно.
4. По возможности пользуйтесь упором для заготовки (3).
 5. По завершении работы отключите машинку и отсоедините ее от сети питания.

Оснастка

- Местные дилеры Triton предлагают полный ассортимент оснастки и расходных материалов, включая шлифовальные втулки и ленты. Запчасти можно заказывать на сайте toolspaersonline.com.

Техническое обслуживание

⚠️ ВНИМАНИЕ! Перед выполнением каких-либо регулировок или операций обслуживания всегда отключайте инструмент и отсоединяйте его от источника питания.

- Инструмент, имеющий какие-либо повреждения, разрешается эксплуатировать только после того, как квалифицированный ремонтник отремонтирует и тщательно проверит его.
- Ремонт электроинструмента должен производиться квалифицированным специалистом с использованием идентичных запчастей. Только в этом случае ремонт электроинструмента не скажется на его безопасности отрицательным образом.

Общий осмотр

Регулярно проверяйте затяжку всех крепежных винтов. Со временем затяжка может ослабевать от вибрации.

Обслуживание электрического шнура

Во избежание угроз электробезопасности замена электрического шнура должна выполняться производителем, его официальным представителем или официальным сервисным центром.

Очистка

1. Регулярно удаляйте пыль и грязь. Почаще сдувайте или убирайте пылесосом пыль со всех деталей шлифовальной машинки и корпуса электродвигателя.
2. Регулярно снимайте вставку и нижнюю шайбу со шпинделя и удаляйте пыль, скопившуюся на их посадочных поверхностях на корпусе.
3. Регулярно смазывайте все движущиеся детали.
4. Запрещается использовать щелочные вещества для очистки пластиковых деталей.

Не допускается чистить пластиковые детали инструмента агрессивными чистящими средствами. Рекомендуется чистить тряпкой, смоченной мягким моющим средством. Не допускайте контакта инструмента с водой.

Замена щеток

- Со временем угольные щетки внутри электродвигателя изнашиваются.
 - Если щетки изношены слишком сильно, то возможна потеря мощности, прерывистая работа электродвигателя или видимое искрение.
 - Порядок замены щеток
1. Аккуратно уложите шлифовальную машинку на бок и выкрутите винты крепления основной крышки, чтобы получить доступ к электродвигателю.
 2. Если внутри (за основной крышкой) накопилась древесная пыль или стружка, тщательно удалите ее.
 3. Выкрутите 2 винта крепления крышки щеток (показана стрелкой на рисунке F) и снимите крышку.
 4. Аккуратно выщипайте щетку в сборе (рисунок F).
 5. Отсоедините провод от щетки и уберите ее.
 6. Установите сменную щетку и присоедините к ней провод.
 7. Установите щетку электродвигателя на место. Проследите за тем, чтобы маленький выступ был расположен правильно (показан стрелкой на рисунке F).
 8. Установите на место крышку щеток и закрутите винты.
 9. Повторите шаги 3-8 для другой щетки. Важно всегда менять щетки парами.
 10. Установите основную крышку и затяните винты.

Также можно сдать инструмент на обслуживание в официальный сервисный центр.

Контактные данные:

За технической поддержкой или услугами по ремонту обращайтесь на нашу горячую линию по телефону (+44) 1935 382 222.

Сайт: tritontools.com/en-GB/Support

Адрес:

Powerbox
Boundary Way
Lufton Trading Estate
Yeovil, Somerset
BA22 8HZ, United Kingdom (Великобритания)

Хранение

- Инструмент должен храниться в надежном, сухом и недоступном для детей месте. Если инструмент установлен в цеху или в гараже на постоянной основе, исключите возможность эксплуатации инструмента детьми.

Утилизация

Утилизация неработающего и не подлежащего ремонту электроинструмента должна выполняться в строгом соответствии с государственными нормативами.

- Запрещается утилизировать электроинструмент или иной лом электрического и электронного оборудования с бытовым мусором.
- Обратитесь в местное управление по утилизации отходов за информацией о правильных методах утилизации электроинструмента.

Поиск и устранение неисправностей

Неисправность	Возможная причина	Метод устранения
Не срабатывает кнопка включения/выключения.	Отсутствует питание.	Проверьте источник питания.
	Неисправен выключатель.	Сдайте инструмент в официальный сервисный центр Triton на замену кнопки включения/выключения.
Шлифовальная втулка (25) не вращается вместе с барабаном (31).	Гайка шпинделя (27) затянута недостаточно сильно.	Затягивая гайку шпинделя небольшими шагами, устраните проскальзывание втулки на барабане.
Шлифовальная лента не остается на одной высоте во время работы.	Неправильная центровка.	Смотрите раздел «Регулировка центровки».
Образуется большое количество пыли.	Засорено проходное отверстие системы отвода пыли.	Отключите машинку и отсоедините ее от сети питания. Снимите компоненты шпиндельной машинки или блок плоского шлифования и прочистите проходное отверстие системы отвода пыли.
	Установлена неправильная вставка.	Установите вставку подходящего размера.
Шлифовальный барабан не разгоняется до полной скорости или звук электродвигателя отличается от нормального.	Перегрев электродвигателя.	Отключите инструмент и дайте ему остыть в течение 1/2 часа.
	Отказ электродвигателя.	Обратитесь в официальный центр обслуживания Triton.
	Щетки требуют замены.	Смотрите раздел «Замена щеток».
	Изношен или вытяннут ремень	Обратитесь в официальный

Декларация соответствия CE

Нижеподписавшийся: Господин Дэррел Моррис (Darrell Morris)

уполномоченный компанией: Triton

Заявляет, что: Настоящая декларация была выпущена под единоличную ответственность производителя. Объект настоящей декларации отвечает требованиям соответствующих норм унификации Евросоюза.

Идентификационный код: TSPST450

Описание: Шлифовальная машинка с плавающим шпинделем и лентой 450 Вт

Соответствует следующим директивам и стандартам:

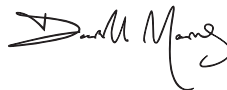
- Директива по машинам 2006/42/EC
- Директива по электромагнитной совместимости 2014/30/EC
- Директива об ограничении использования вредных веществ 2011/65/EU
- EN 61029-1:2009+A11:2010
- EN ISO 12100:2010
- EN 55014-1:2006+A2:2011
- EN 55014-2:1997+A2:2008
- EN 61000-3-2:2014
- EN 61000-3-3:2013

Уполномоченный орган: TÜV SÜD

Владелец технической документации: Triton

Дата: 22/10/2018

Подпись:



Господин Дэррел Моррис (Darrell Morris)

Директор

Название и адрес производителя:

Powerbox International Limited, Company No. 06897059. Юридический

адрес: Powerbox, Boundary Way, Lufton Trading Estate, Yeovil, Somerset

BA22 8HZ, United Kingdom (Великобритания).

Az eredeti utasítások fordítása

Bevezetés

Köszönjük, hogy megvásárolta ezt a Triton szerszámot! A jelen útmutató a termék biztonságos és hatékony üzemeltetéséhez szükséges információkat tartalmazza. Ez a termék egyedi tulajdonságokkal rendelkezik, és még ha Ön ismeri is a hasonló termékeket, mindenképpen alaposan olvassa el ezt az útmutatót, hogy megértse a benne levő utasításokat. Ügyeljen arra, hogy a szerszámot használó minden személy elolvassa és teljesen megértse ezeket az utasításokat.

A szimbólumok leírása

A készülék adattábláján jelölések találhatóak. Ezek fontos információkat tartalmaznak a termékről vagy annak használatáról.



Viseljen fülvédőt.
Viseljen védőszemüveget.
Viseljen védőmaszkot.
Viseljen fejevédőt.



Viseljen védőkesztyűt.



Olvassa el a kezelési útmutatót.



Vigyázat!



Kizárólag beltéri használatra!



Mérgező gőzök vagy gázok!



Mindig válassza le a gépet a hálózati feszültségről, ha nem használja, vagy mielőtt bármilyen beállítási, tartozékcsere- vagy karbantartási vagy tisztítási műveletet végez.



Porelzívás szükséges/avasolt.



II. érintésvédelmi osztály (kettős szigetelés a nagyobb védetség érdekében)



Környezetvédelem A leselejtezett elektromos termékeket nem szabad a háztartási hulladékba dobni. Kérjük, vigye el a megfelelő újrafelhasználási helyre, ha létezik ilyen. Keresse meg a helyileg illetékes hatóságokat vagy a forgalmazót az újrafelhasználásra vonatkozó tanácsokért.



A készülék megfelel a vonatkozó jogszabályoknak és biztonsági szabványoknak.

Műszaki rövidítések és szimbólumok

V	Volt
Hz	Hertz
~, AC	Váltakozó feszültség
DC	Egyenfeszültség
n ₀	Üresjáratú fordulatszám:
A, mA	Amper, milli-Amp
W, kW	Watt, kilowatt
/perc v. min ⁻¹	Percenkénti irányváltás vagy fordulat
n	Névleges fordulatszám
1/perc	Percenkénti fordulat
opm	Keringés vagy rezgés percenkénti száma
spm	Löketszám percenként
°	Fok
dB(A)	A-súlyozott zajszint decibelben
Ø	Átmérő
m/s ²	Méter per szekundumnégyzet (rezgés nagysága)

Műszaki adatok

Típuszám:	TSPST450
Feszültség:	230V~, 50Hz
Teljesítmény:	450 W
Üresjáratú fordulatszám (orsó): (csiszolószalag):	2000 f/perc 480 f/perc
Szalagsebesség:	750 m/perc
Oscillálási gyakoriság:	58 oscz./perc
Lökethossz:	16 mm
Csiszolóhüvely méretek:	Átm. 13 mm, 19 mm, 26 mm, 38 mm, 51 mm
Csiszolószalag mérete:	100 x 610 mm
Porelvezető csomk (külső átm.):	38 mm
Asztal mérete (H x Sz):	430 x 410 mm
Dönthető asztal mérete (H x Sz):	220 x 410 mm
Asztal döntési szöge:	0-45°
Asztal döntéshatároló rovatkái:	0°, 15°, 22.5°, 30° & 45°
Orsó mérete:	12,7 mm x 1,5 mm-es menet
Érintésvédelmi osztály:	
Víz elleni védetség osztály	IP20
Méretek (H x Sz x M):	390 x 330 x 450 mm
Tömeg:	12,9 kg
A folyamatos termékfejlesztés részeként a Triton termékek műszaki adatai értesítés nélkül változhatnak.	

Zajra és rezgésre vonatkozó adatok

Hangnyomás szintje, L_{pA} :	76 dB(A)
Hangteljesítmény, L_{WA} :	89 dB(A)
Tűrés, K:	3 dB
A kezelő számára a zajszint meghaladhatja a 85 dB(A) értéket, és kötelező a hallásvédő eszközök alkalmazása.	

FIGYELEM: Mindig viseljen hallásvédő eszközt, ha a zajszint meghaladja a 85 dB(A) értéket, és korlátozza a zajnak való kitettség időtartamát, amennyiben szükséges. Ha a zajszint még fülvédővel is kényelmetlen, azonnal hagyja abba a szerszám használatát, és ellenőrizze, hogy a fülvédő megfelelően illeszkedik-e, és biztosítja-e a szerszám által keltett hangszint megfelelő csökkentését.

FIGYELEM: A szerszám vibrációja a felhasználónál a tapintásérzék elvesztését, zúbadást, bizsergő érzést és csökkent fogási készséget eredményezhet. A hosszú távú kitettség krónikus betegséget okozhat. Szükség esetén korlátozza a rezgésnek kitettség időtartamát, és használjon rezgéscsillapító kesztyűt. Ne használja a szerszámot csupasz kézzel a normál, kellemes hőmérséklet alatt, mivel ekkor a rezgésnek erősebb lesz a hatása. A műszaki adatokban megadott vibrációs számadatokból kiszámítható a szerszám használatának időtartama és gyakorisága.

A műszaki adatokban megadott hang- és vibrációs szintek az EN60745 vagy hasonló nemzetközi szabványoknak megfelelően vannak meghatározva.

A számadatok a szerszám szokásos működési körülmények között történő normál használatát jelzik. A rosszul karbantartott, rosszul összeszerelt, vagy nem megfelelő módon használt szerszámnál a zajszint és a rezgésszint megemelkedhet. A www.osha.europa.eu weboldal tájékoztatást nyújt a munkahelyi hang- és vibrációs szintekről. Ez hasznos lehet az otthoni felhasználók számára, akik a szerszámokat hosszú időn át használják.

Az elektromos kéziszerszámokra vonatkozó általános munkavédelmi tudnivalók

FIGYELEM: Mindig viseljen hallásvédő eszközt, ha a zajszint meghaladja a 85 dB(A) értéket, és korlátozza a zajnak való kitettség időtartamát, amennyiben szükséges. Ha a zajszint még fülvédővel is kényelmetlen, azonnal hagyja abba a szerszám használatát, és ellenőrizze, hogy a fülvédő megfelelően illeszkedik-e, és biztosítja-e a szerszám által keltett hangszint megfelelő csökkentését.

FIGYELEM: A szerszám vibrációja a felhasználónál a tapintásérzék elvesztését, zúbadást, bizsergő érzést és csökkent fogási készséget eredményezhet. A hosszú távú kitettség krónikus betegséget okozhat. Szükség esetén korlátozza a rezgésnek való kitettség időtartamát, és használjon rezgéscsillapító kesztyűt. Ne használja a szerszámot csupasz kézzel a normál, kellemes hőmérséklet alatt, mivel ekkor a rezgésnek erősebb lesz a hatása. A műszaki adatokban megadott vibrációs számadatokból kiszámítható a szerszám használatának időtartama és gyakorisága.

A műszaki adatokban megadott zaj- és vibrációs szintek a nemzetközi szabványoknak megfelelően vannak meghatározva. A számadatok a szerszám szokásos működési körülmények között történő normál használatát jelzik. A hanyagul karbantartott, helytelenül összeszerelt, vagy nem megfelelő módon használt szerszámnál a zajszint és a rezgésszint megemelkedhet. A www.osha.europa.eu weboldal tájékoztatást nyújt a munkahelyi zaj- és rezgésszintekről. Ez hasznos lehet az otthoni felhasználók számára, akik a szerszámokat hosszú időn át használják.

Az elektromos kéziszerszámokra vonatkozó általános munkavédelmi tudnivalók

FIGYELEM: A szerszámhoz mellékelte minden biztonsági figyelmeztetést, utasítást, illusztrációt és műszaki adatot olvasson el. Az alábbi utasítások figyelmen kívül hagyása áramütést, tüzet és/vagy súlyos sérülést okozhat.

Örizzen meg minden figyelmeztetést és utasítást a későbbi tájékozódás érdekében.

A figyelmeztetéseken említett „szerszámépít” kifejezés az összes alábbi figyelmeztetés esetén az elektromos hálózatról üzemelő (vezetékes) és az akkumulátorról üzemelő (vezeték nélküli) szerszámokra is vonatkozik.

1) Munkaterület biztonsága

- Tartsa tisztán és jól megvilágítva a munkaterületet.** A rendezetlen és sötét munkaterületek balesetet idézhetnek elő.

- Ne működtesse a szerszámgepeket robbanásveszélyes folyadékok, gázok vagy por jelenlétében.** A szerszámgepek szikrákat bocsátanak ki, amelyek meggyújthatják a port vagy a gázokat.
- A szerszámépít használatában közben a gyermekeket és a környezetben tartózkodókat tartsa távol.** A figyelemelvonás miatt elvesztheti ellenőrzését a munka felett.
- Elektromos biztonság**
 - A szerszámgepek csatlakozódugója illeszkedjen a hálózati aljzathoz. Soha, semmilyen módon ne alakítsa át a dugaszt. Semmiféle csatlakozódugó-adaptert ne használjon védőezetekkel ellátott „földelt” szerszámgepekhez.** A nem módosított, és az aljzatba illeszkedő csatlakozódugók csökkentik az áramütés veszélyét.
 - Kerülje a fizikai érintkezést földelt vagy testelt felületekkel (pl. csövek, radiátorok, tűzhelyek, hűtőszekrények).** Nő az áramütés veszélye, ha a felhasználó teste földelre van.
 - Ne tegye ki a szerszámgepeket esőnek vagy víznek környezetnek. A szerszámgepekbe kerülő víz növeli az áramütés kockázatát.**
 - Ne sértse meg a tápkábelt. Soha ne vigye, húzza vagy távolítsa el az aljzaltól a szerszámgepet a vezetékkel együtt.** A kábelt tartsa távol a hőforrásoktól, olajtól, éles peremektől vagy mozgó alkatrészekről. A megrongálódott vagy összekuszálódott kábelek növelik az áramütés veszélyét.
 - Ha a szerszámgepet kültéri környezetben használja, használjon a kültérben alkalmazható hosszabbító kábelt.** A kültéri alkalmazásra megfelelő hosszabbító használata csökkenti az áramütés veszélyét.
 - Amennyiben a szerszámgepet nedves környezetben történő működtetése elkerülhetetlen, használjon lekapcsoló áramvédő eszközt (FI-rele, RCD) védett áramforrást.** Az áramvédő kapcsoló használata csökkenti az áramütés veszélyét.
- Személyi biztonság**
 - Legyen figyelmes, ügyeljen arra, amit tesz, és őrizze meg a józan ítélőképességet a szerszámgepek működtetése közben. Ne használja a szerszámgepet, ha fáradt, vagy amennyiben kábítószerek, alkohol vagy gyógyszerek hatása alatt áll.** A szerszámgepek működtetése során előforduló pillanatnyi figyelmetlenség súlyos személyi sérülést eredményezhet.
 - Használjon személyi védőfelszerelést. Mindig használjon védőeseményeket.** Az adott körülményekre alkalmazott olyan biztonsági felszerelések, mint például porvédő maszk, csúszásmentes biztonsági lábbeli vagy fülvédő csökkentik a személyi sérülések veszélyét.
 - Akadályozza meg a véletlenszerű indítást. Az áramforráshoz és/vagy az akkumulátorhoz történő csatlakoztatás előtt, illetve az eszköz feltemelése vagy szállításkor győződjön meg róla, hogy a BE/ KI kapcsoló az OFF (KI) helyzetben van-e.** Baleset forrása lehet, ha a szerszámgepet úgy szállítja, hogy közben az újít a BE/ KI kapcsolón tarthat, vagy áram alá helyezi a szerszámgepet úgy, hogy a kapcsolója bekapcsol (ON) helyzetben van.
 - A szerszámgepek bekapcsolása előtt távolítsa el minden beállítókulcsot vagy fogót.** A szerszámgepek valamely mozdulatkor átkaröltés hagyott villáskulcs vagy állítókulcs személyi sérülést okozhat.
 - Kerülje a rendellenes testtartást. Mindig biztosan álljon a lábán, és őrizze meg az egyensúlyát.** Ez a szerszámgepek biztonságos irányítását teszi lehetővé váratlan helyzetekben.
 - Öltözzön megfelelően. Ne viseljen bő ruhákat vagy ékszereket. A haját és ruházatát tartsa távol a mozgó alkatrészekről.** A bő ruhák, ékszerek vagy a hosszú haj beleakadhatnak a mozgó részekbe.
 - Amennyiben rendelkezésre állnak porszívózó készülékek és gyűjtőtartályok, csatlakoztassa és megfelelően használja azokat.** Ezeknek a készülékeknek a használata csökkenti a porral járó veszélyeket.
 - A munkát NE a (szerszám)ok többszöri használatából fakadó kényelmi szempontok vagy megszokás szerint, hanem a termékre vonatkozó biztonsági rendszabályok betartásával végezze.** Egy óvatlan mozdulat a másodperc töredéke alatt okozhat súlyos sérülést.
- A szerszámgepek használatát és karbantartását**
 - Ne erőltesse a szerszámgepet. A célnak megfelelő szerszámgepet használja.** A megfelelő elektromos kéziszerszám jobban és biztonságosabban végzi el azt a feladatot, amelyre terveztek.
 - A szerszámgepet ne használja akkor, ha a BE/ KI kapcsoló nem működik megfelelően (nem kapcsolja ki vagy be a készüléket).** A BE/ KI kapcsolójával nem vezérelhető szerszámgepek veszélyes, ezért meg kell javíttatni.
 - Húzza ki a csatlakozót a tápforrásból, és/vagy vegye ki az akkumulátort a szerszámgepből, mielőtt bármilyen beállítást vagy tartozékcsere hajtana végre, illetve eltávolítja a szerszámgepet.** Az ehhez hasonló megelőző intézkedések csökkentik a véletlenszerű bekapcsolás kockázatát.
 - A használaton kívüli szerszámgepeket tartsa távol a gyermekektől, és ne engedje, hogy a szerszámgepek használatát vagy a jelen kézikönyvet nem ismerő személy működtesse a szerszámgepet.** A szerszámgepek veszélyesek lehetnek a gyakorlatilag nem rendelkező felhasználók kezében.

- e) **Tartsa karban a szerszámgepeket. Ellenőrizze, hogy a mozgó alkatrészek illeszkedése és beállítása megfelelő-e, nincs-e rajtuk meghibásodott elem, vagy nem áll-e fenn olyan körülmény, amely hatással lehet a szerszám gép működésére.** Használat előtt javítsa meg a szerszám gépet, amennyiben az sérült. A nem megfelelően karbantartott szerszám gépek sok balesetet okoznak.
- f) **A vágóeszközöket tartsa élesen és tisztán.** A megfelelően karbantartott, éles vágóélékkel rendelkező vágószerszámoknál kevésbé valószínű a beszurulás, és a szerszám irányítása is könnyebb.
- g) **A szerszámgepeket, a kiegészítőket, a betétkézeket stb. a jelen utasításoknak megfelelően használja, figyelembe véve a munkakörülményeket és a végrehajtandó munkát.** A szerszám gép rendeltetésétől eltérő használata veszélyes helyzetet okozhat.
- h) **A fogantyúkat és markolófelületeket tartsa szárazon, tisztán, valamint olaj- és zsírmentesen.** A csúszós fogantyúk és markolófelületek lehetetlenné teszik a szerszám biztonságos irányítását váratlan helyzetekben.
- 5) **Szervíz**
- a) **A szerszám gép szervizelését csak szakképzett személy végezze, aki mindig eredeti cserealkatrészeket kínál.** Ez biztosítja a szerszám gép biztonságos működésének fenntartását.

A rezgőorsós és szalagcsiszolóra vonatkozó munkavédelmi figyelmeztetések



- **Az elektromos szerszámot kizárólag a szigetelt markolatainál fogja meg, mivel a csiszolószalag/lap véletlenül hozzéríphet a saját tápkábeléhez.** A feszültség alatt álló vezetékek elvágása miatt a szerszám fém alkatrészei is áram alá kerülhetnek, és a kezelőt áramütés érheti.
- **Javasoljuk, hogy az áramellátást mindig érintésvédelmi, áramvédő kapcsolón (FI-relé) keresztül biztosítsa, amelynek az érzékenysége nem haladhatja meg a 30 mA értéket.**
- **Ha a tápkábel cseréje szükséges, a kockázatok elkerülése végett azt a gyártónak vagy a szervizképviselőnek kell elvégeznie.**

A jelen használati utasításban szereplő figyelmeztetések, óvintézkedések és utasítások nem terjednek ki minden olyan feltételre és helyzetre, mely az üzemeltetés során előfordulhat. A szerszám kezelőjének tudnia kell, hogy a józan ész és az elővigyázatosság olyan tényezők, melyeket nem lehet a termékbe beépíteni, hanem ezekről neki kell gondoskodnia.

Ne működtesse a rezgőorsós csiszológépet, ha az nincs teljesen összeszerelve, és míg el nem olvasta és meg nem értette az alábbi utasításokat, valamint a gépen található figyelmeztető címkéket.

- a) **Ellenőrizze a csiszológép állapotát.** Ha egy alkatrész hiányzik, hajlott vagy nem működik megfelelően, cserélje azt ki a csiszológép használata előtt.
- b) **A csiszológép használata előtt határozza meg az elvégzendő munka típusát.**
- c) **Gondoskodjon a biztonságos munkavégzésről.** Támassza a munkadarabot stabilan a munkaasztalra, és fogja meg két kézzel.
- d) **Ügyeljen az előlételés irányára.** A munkadarabot a csiszolóhüvelyhez vagy csiszolószalaghoz annak forgásirányával ellentétesen tolja.
- e) **A kezeit mindig tartsa a csiszolóhüvely vagy csiszolószalag útvonálán kívül.** Kerülje a kezei olyan helyzetét, ahol egy hirtelen megcsúszás miatt a keze hozzéríphet a csiszolóhüvelyhez vagy csiszolószalaghoz. Ne nyúljon a munkadarab alá vagy a csiszolóhüvely, illetve csiszolószalag környezetébe, míg az orsó forog.
- f) **Húzza ki a csiszológépet az elektromos hálózatból a be/ki kapcsolóval történő kikapcsolás után.** Karbantartás végzése előtt vágja meg, hogy az orsó teljesen leálljon... Használaton kívül vagy a betétek, csiszolóhüvelyek, csiszolószalagok vagy egyéb alkatrészek cseréjekor a csiszológép villásdugóját ki kell húzni a hálózati aljzathoz.
- g) **Győződjön meg róla, hogy a csiszolandó munkadarab környezetében nincsen szeg vagy egyéb idegen anyag.**
- h) **Ne használja ezt a csiszológépet nedves csiszolásra.** Az utasítás figyelmen kívül hagyása áramütést, súlyos személyi sérülést vagy még komolyabb helyzetet okozhat.
- i) **A csiszológép javításakor csak eredeti, azonos cserealkatrészeket használjon.**
- j) **A munkadarab megérintése előtt vágja meg, hogy az orsó teljesen leálljon.**
- k) **A festett felületek csiszolásakor legyen elővigyázatos.** Az olómtartalmú festékek csiszolása NEM JAVASOLT. A szennyezett por ellenőrzés alatt tartása nehezen megoldható, és ólommérgezéshez vezethet.

Festék csiszolása:

- a) **Óvja a tüdejét.** Viseljen porvédő maszkot vagy légzőkészüléket.
- b) **Ne engedjen gyermekeket vagy terhes anyákat a munkaterületre, míg a festék csiszolása be nem fejeződött, és a terület feltakarítása véget nem ért.**
- c) **Ne egyen, igyon vagy dohányozzon az olyan munkaterületen, ahol festett felület csiszolása történik.**
- d) **Ahol lehetséges, használjon porelszívó rendszert.** Műanyaggal zárja el a munkaterületet. Ne vezesse a festékport a munkaterületen kívülre.
- e) **Amikor a csiszolás befejeződött, alaposan tisztítsa meg a munkaterületet.**

A termék ismertetése

1. Szalagfutás állító gombja
2. Szalagkioldó kar
3. Munkadarab ütköző
4. Orsóreteszelő gomb
5. Munkadarab-ütköző szárnyas anyája
6. Rögzített asztal
7. Vezetőgyűrű-tároló rekesz
8. Asztal szögrogzító gombja
9. Asztalszög-jelző
10. Asztalszög határoló rovátkái
11. 11 Rögzítőfuratok a munkapadra szereléshez
12. Ki kapcsoló
13. BE kapcsoló
14. Alátétároló rekesz
15. Csiszolódob-tároló rekesz
16. Dönthető asztal
17. Szalagcsiszoló gép
18. Porelvezető csomok
19. Asztal szögrogzító gombja
20. Vezetőgyűrű-tároló rekesz
21. Szerszámároló rekesz
22. Hátsó tárolórekesz
23. Szalagcsiszoló egység
24. Csiszolószalag
25. Csiszolóhüvely [5 méret]
26. Vezetőgyűrű [5 méret]
27. Orsóanya
28. Orsóalátét
29. Asztalbetét
30. Lemezkulcs
31. Csiszolódob [4 méret]
32. Orsó
33. Orsógomb

Rendeltetésszerű használat

Hálózati feszültségre működő, munkapadra szerelhető csiszológép, mely forgó mozgást és függőleges irányú rezgést végző csiszolódobbal vagy szalagcsiszoló egységgel látható el. Szabálytalan, bonyolult alakú, valamint nagyméretű munkadarabok ivelt és egyenes felületeinek csiszolásához alkalmas. A készülék munkaszalagjának dönthető eleje ércsiszolat, jellemzően élettörést tesz lehetővé.

A szerszám kicsomagolása

- Óvatosan csomagolja ki és ellenőrizze a szerszámot. Alaposan ismerkedjen meg az összes kezelésszervvel és funkcióval.
- Ellenőrizze, hogy a szerszám minden alkatrésze a helyén van és jó állapotú-e. Ha bármelyik alkatrész hiányzik vagy sérült, cseréltesse ki, mielőtt használni kezdi a szerszámot.

Használat előtt

△ FIGYELEM: Bármely tartozék felszerelése vagy cseréje, valamint beállítások elvégzése előtt mindig húzza ki a szerszám dugvilláját a hálózati aljzathoz.

Felszerelés munkapadra

Ha a rezgőorsós csiszológépet mindig egy helyen szeretné használni, javasoljuk, hogy rögzítse azt szilárd munkafelülethez.

- Sablonként használja a talapzaton levő rögzítőfuratokat (11), hogy kijelöljön, majd elkészítsen négy furatot a kiszemelt rögzítési felületre (azaz, a munkapadra). A rezgőorsós csiszológépet nagyméretű csavarokkal, alátétekkel és anyákkal (nincsenek mellékelve) rögzítse a helyére (1. ábra).
- Amennyiben a rezgőorsós csiszológépet szeretné egyszerűbben mozgathatóvá tenni, a talapzathoz rögzítsen egy deszkalapot, melynek

segítségével könnyen rögzíthető és eltávolítható a gép a különböző munkafelületekről.

- Csavaros rögzítéskor ügyeljen arra, hogy a csavarok kellően hosszúak legyenek, és átérjenek a munkapadon vagy munkafelületen a biztos rögzítés érdekében.

Megjegyzés: A rögzítéshez használjon műanyag betétes órázókat vagy rugós alátéteket annak megakadályozására, hogy a csavarkötés fellazuljon a rezgés hatására.

Megjegyzés: A rögzítéshez ne használjon olyan csavarokat, melyeket erővel kell átölni a munkapadhoz rögzítő furatokon, mivel azok meghúzóskor repedést okozhatnak a műanyag testben.

Porelvezetés

Javasoljuk, hogy a csiszológépet a tisztább és biztonságosabb munkavégzéshez csatlakoztassa egy porelszívó rendszerhez.

1. A porelszívó rendszer tömlőjét szilárdan illessze a porelvezető csomokhoz (18), és ügyeljen a szilárd rögzítésre.
2. A legjobb hatékonyság érdekében először a porelszívó rendszert kapcsolja be, majd utána a csiszológépet.

Szalagsziszoló üzemmód

1. A rezgőóros csiszoló alkatrészeinek leszereléséhez a lemezkulcs (30) segítségével csavarja le az orsóányát (27), majd vegye le az orsóalátétet (28), a csiszolódobot (31), a vezetőgyűrűt (26) és az asztalbetétet (29).
2. A rezgőóros csiszoló alkatrészeit a készüléktestben található tárolórekeszekben tartsa; ezek az alátétároló (14), dobtároló (15), vezetőgyűrű-tároló (7 és 20), valamint hátsó tárolórekesz (22).
3. Illessze a szalagsziszoló egységet (23) a rögzített asztal (6) nyílásába a bemutatott módon, majd rögzítse a helyén az orsógomb (33) segítségével.
4. Amennyiben használata szükséges, szerelje fel a munkadarab-ütőkötőt (3) a munkadarab-ütököző szárnnyal (5) segítségével.
5. Amennyiben csiszolószalag (24) nincs felszerelve, mozdítsa a szalagkijelő kart (2) az orsógomb irányába, hogy lehetővé váljon a szalag felhelyezése. Ez a konstrukció egy rugóterhelésű mechanizmus, melynek célja a mozgás szabályozása a sérülések megakadályozása érdekében.
6. Helyezzen fel egy csiszolószalagot a szalagsziszoló egység fő görgőjére, majd állítsa a görgő szélével párhuzamos szintbe a megfelelő magasságban. Ügyeljen arra, hogy a szalag iránya („A” kép) megegyezzen a gépen levő nyíl irányával.
7. A szalag rögzítéséhez állítsa a szalagkijelő kart vissza, a szalagfutás állítógombja (1) felé.
8. Csatlakoztassa vissza a készüléket a tápfeszültséghez, kapcsolja be, és figyelje meg, hogy a szalag központosan fut-e. Haladéktalanul kapcsolja ki a gépet, ha a szalag futása helytelen, és le-fele mozog a görgőn.

Szalagfutás beállítása

A szalagfutást a szalagfutás állítógombjával állítsa be. Amennyiben a szalag lassan elkúszik a beállított helyzetből, kissé állítson a szalagfutás állítógombján. Amennyiben kikapcsolás után a szalagfutás helyzetlenné válik, oldja fel a szalagkijelő kart, hogy visszaállítsa a szalagot a megfelelő magasságba, majd végezze el a beállítást a szalagfutás állítógombjával.

- A szalag magasságának növeléséhez fordítsa el a szalagfutás állítógombját az óramutató járásával megegyező irányba. A szalag magasságának csökkentéséhez forgassa el a gombot az óramutató járásával ellentétes irányba.
- A szalagfutás állítógombjának egy bizonyos tartományában a szalag megfelelően fut. Mindig ezen beállítási tartomány közepét célozza meg, hogy a szalagfutás terhelés alatt is központos legyen.

Megjegyzés: A szalag megsérülhet, ha a helytelen futás miatt hozzádörzsolődik a rögzített asztal nyílásának felületéhez. Egyszerűbb a szalag felfelé történő mozgását okozó beállítást módosítani a lefele mozgást okozó beállítással szemben, mivel a felfelé történő mozgás nem károsítja a csiszolószalag szélét. Végezzen el egy nagyobb állítást a szalagfutás állítógombjának az óramutató járásával megegyező irányba történő elforgatásával, majd fokozatosan, kisebb lépésekben az óramutató járásával ellentétes irányba forgatva állítsa le a szalagmagasságot a megfelelő helyzetbe.

Rezgőóros csiszoló üzemmód

A megfelelő szemcseméretű csiszolóhüvely kiválasztása

- A csiszolóhüvelyek különböző szemcseméretben kaphatóak: durva (80-as szemcseméret), közepes (150-as szemcseméret) és finom (240-es szemcseméret).
- A durva szemcsemérettel végezze a nagyoló csiszolást, a közepessel simítsa tovább a felületet, majd a finom mérettel fejezze be a műveletet.
- A legjobb minőségű munka elérése érdekében mindig jó minőségű csiszolóhüvelyeket használjon.

- Érdemes egy eldobandó anyagon először próbát tenni az adott feladatnak való legmegfelelőbb csiszolóhüvely megválasztásához. Amennyiben a megmunkálás után továbbra is karcolások láthatók a munkadarabon, próbálkozzon egy durvább szemcsemérettel, és csiszolja ki a karcolásokat, mielőtt visszatérne az eredetileg kiválasztott szemcseméretre, vagy próbálkozzon egy új csiszolóhüvellyel a nem kívánt karcolások eltüntetéséhez, mielőtt átérne egy finomabb szemcseméretre, és befejezné a munkát.

A csiszolóhüvely felszerelése

1. Az orsógomb (33) eltávolítása után a rögzített asztalról (6) való leemelésel távolítsa el a szalagsziszolót (17). Tárja a hátsó tárolórekeszben (22).
2. A vezetőgyűrűk táblázatának segítségével válassza ki a megfelelő alkatrészeket.
3. Helyezze be az alkatrészeket a „G” kép szerint. <alt: (Figure II)>
4. Húzza meg az orsóányát (27) a lemezkulccsal (30), hogy elkerülje a csiszolóhüvely megcsúszását működés közben. Az anyát ne húzza túl.
5. Amennyiben használata szükséges, szerelje fel a munkadarab-ütőkötőt (3) a munkadarab-ütököző szárnnyal (5) segítségével.

Megjegyzés: Javasoljuk az orsóanya (27) használatát. Amennyiben túl gyakran történik a váltás a szalagsziszoló és a rezgőóros csiszoló üzemmódok között, az orsógomb (33) használható, ha megfelelő nyomást képes nyújtani a csiszolóhüvely megszorításához. Ez a csiszolódob és a csiszolóhüvely illeszkedésétől függ.

FONTOS: Az alábbi táblázat segítségével válassza ki a megfelelő vezetőgyűrűt és csiszolódobot az egyes csiszolóhüvelyekkel való használathoz.

Vezetőgyűrűk táblázata

Csiszóhüvely (25)	Csiszódob [31]	Vezetőgyűrű (26)	Orsóalátét (28)
13mm	N/A	13mm	Kicsi
19mm	Kicsi	19mm	Közepes
26mm	Közepes	26mm	Közepes
38mm	Nagy	38mm	Közepes
51mm	Nagyon nagy	51mm	Nagy

Megjegyzés

- A legkisebb, 13 mm-es (1/2") csiszolóhüvely kivételével az összes csiszolóhüvely (25) egy megfelelő méretű gumidobra (31) illeszthető.
- Amikor csak a csiszolóhüvely alsó része kopott, fejfelé lehet fordítani, és ezzel maximálisan kihasználható az élettartama a megmaradt csiszolófelület használatával.
- Amennyiben a csiszolóhüvely elforog a dobban a szerszám bekapcsolásakor, az orsóanya (27) nincs kellően meghúzva, vagy összeszorította a dobot, és megfelelően megfújta a hüvelyt.
- Ügyeljen arra, hogy a gép bekapcsolása előtt a csiszolóhüvely ne érintkezzen az asztalbetéttel.

FONTOS: Ne használjon túlzottan elkopott csiszolóhüvelyt. Ez túlzott hőfejlesztéshez vezethet, és károsíthatja a gumidobot. A garancia nem terjed ki a kopott csiszolóhüvelyek használatára miatt megsérült gumidobokra.

FONTOS: Amennyiben nem megfelelő vezetőgyűrűt (26) használ a hozzáillő csiszolóhüvellyel, a gép becsípheti az ujját, vagy a munkadarabot behúhatja a vezetőgyűrű és a csiszolóhüvely közé.

A csiszolóhüvelynek pontosan kell illeszkednie a vezetőgyűrű központi kivágásába.

Asztal megdöntése

A dönthető asztal (16) akár 45°-ig billenthető, és egyszerűvé teszi az élciszolást és éllétortást.

1. Az asztal mindkét oldalán lazítsa meg a szögörzítő gombot (8 és 19).
2. Állítsa az asztalt a szükséges szögbe az asztalszög-jelző (9) segítségével. A járatos szöghelyzetekben (0°, 15°, 22,5°, 30° és 45°) asztalszöghátíró róvátkák találhatók.
3. Szorítsa meg a két asztalszögörzítő gombot az asztal megfelelő helyzetben rögzítéséhez.

Használat

⚠ FIGYELEM: MINDIG viseljen védőszemüveget, megfelelő permaszok, fülvédőt és munkavédelmi kesztyűt, amikor a géppel dolgozik.

⚠ FIGYELEM: ÜGYELJEN ARRÁ, hogy munkavédelmi kesztyűből és ruházatából ne lógiának ki szövetszálak, melyeket a forgó orsó felcsavarhat, és ezáltal beránthatja a kezét, ami súlyos sérüléssel járhat. Nem szövet alapú kesztyű használata javasolt.

BE/KI kapcsolás

Megjegyzés: Ügyeljen arra, hogy a gép bekapcsolása előtt a csiszolóhüvely ne érintkezzen a vezetőgyűrűvel, illetve a csiszolószalag és az asztalfelülettel.

- Bekapcsoláshoz nyomja meg a BE gombot (13), mely a csiszológép elején helyezkedik el.
- A csiszológép kikapcsolásához nyomja meg a KI gombot (12).

Csiszolás

FIGYELEM: Ne csiszoljon fémet ezzel a csiszológéppel. A fémek csiszolásakor szikrák keletkeznek, melyek meggyújthatják a csiszológépen és a munkaterületen levő fa- és porrészeszkéket.

Megjegyzés: A gép orsója és csiszolószalagja az óramutató irányával ellentétesen forog.

1. Ügyeljen arra, hogy a gép biztonságosan legyen rögzítve a munkapadra.
2. Vegyen fel megfelelő védőfelszerelést, többek között porvédő maszkot és védőszemüveget, majd ezután kapcsolja be a porszívó rendszert (ha van).
3. Kapcsolja BE a csiszológépet, és várja meg, hogy a motor elérje a teljes fordulatszámot.

FONTOS: A munkadarabot a csiszolóhüvelyhez vagy csiszolószalaghoz fokozatosan, annak forgásirányával ELLENTÉSESEN tolja („D” kék). Ennek elmulasztásakor a forgás a munkadarabot előlökheti a csiszolóhüvelytől vagy csiszolószalagtól, és sérülés következhet be. Ne erőltesse a munkadarabot, és ne nyomja túlzottan.

4. Amikor lehetséges, használja a munkadarab-ütőkötőt (3).
5. A munka befejeztével kapcsolja ki a gépet, és húzza ki a tápvezetékét a hálózati aljzatból.

Tartozékok

- A Triton forgalmazók a tartozékok és fogyóeszközök széles választékával, többek között tartalék csiszolóhüvelyekkel és csiszolószalagokkal állnak rendelkezésre. Az alkatrészek a toolsparesonline.com weboldalon találhatóak meg.

Karbantartás

⚠ FIGYELEM: Bármilyen beállítás vagy karbantartás elvégzése előtt mindig kapcsolja ki a szerszámot, és a tápcsatlakozót húzza ki a hálózati aljzatból.

- A szerszámban keletkezett bármilyen károsodást használat előtt meg kell vizsgáztatni és javíttatni egy szakképzett szerelővel.
- A szerszámgép szerelését bízva szakképzett szerelőre, aki az eredetivel megegyező cserealkatrészeket használ. Ez biztosítja az elektromos kéziszerszám biztonságos működésének fenntartását.

Általános átvizsgálás

Rendszeresen ellenőrizze, hogy minden rögzítőcsavar kellően meg van-e húzva. Ezek a rezgés hatására idővel felazulhatnak.

A hálózati kábel karbantartása

Ha a hálózati kábelt ki kell cserélni, a feladatot a gyártónak, a gyártó képviselőjének, vagy a szakszerviznek kell elvégeznie a biztonsági kockázat elkerülése érdekében.

Tisztítás

1. Rendszeresen távolítsa el a port és a szennyeződést. Rendszeresen fúvassa vagy porszívózza le a port a csiszológép összes alkatrészéről és a motorházról.
2. Rendszeresen szerelje le az asztalbetétet és az alsó alátétet az orsóról, és távolítsa el a felgyülemlett port az asztalbetét területéről.
3. Rendszeresen kenje meg az összes mozgó alkatrészt.
4. A műanyag részek tisztításához soha ne használjon maró anyagot.

A szerszám műanyag részeinek tisztításához ne használjon tisztítószert. Enyhén mosogatószeres rongy használata javasolt. A szerszám soha nem érintkezhet vízzel.

Szénkefe cseréje

- Idővel a motorban levő szénkefék elkophatnak.
- A túlzottan kopott szénkefék teljesítménycsökkenést, szakaszos működést vagy látható szikrázást okozhatnak.
- Szénkefék cseréje:
 1. Óvatosan fektesse a csiszológépet az oldalára, majd távolítsa el a talpburkolatot rögzítő csavarokat, hogy hozzáférjen a motorhoz.
 2. Körültekintően tisztítsa meg a készülék belsejét, ha felgyülemlett faport vagy fatorgácsot talál a talpburkolatnál.
 3. Távolítsa el a szénkefe fedelét rögzítő két csavart (az „E” képen nyíl jelzi), majd vegye le a fedelet.
 4. Óvatosan távolítsa el a szénkefe egységet („F” kép).
 5. Válassza le a szénkefe egységhez csatlakoztatott vezetékét, majd távolítsa el a szénkefét.
 6. Szerelje be az új szénkefét, majd kösse vissza vezetékét.
 7. Helyezze vissza a motorba a szénkefe egységet, ügyelve arra, hogy a kis láb a helyen legyen (nyíl jelzi az „F” képen).
 8. Helyezze vissza a szénkefe fedelet, majd a rögzítőcsavarokat.
 9. Ismétlje meg a fenti 3-8. lépéseket a másik szénkefénél. Fontos, hogy a szénkefeket mindig párban cserélje.
 10. Helyezze vissza és szorítsa meg az alapelemzt.Másik lehetőségként ezt a műveletet végeztesse el hivatalos szervizzel.

Kapcsolat

Amennyiben műszaki vagy szerviz tanácsra van szüksége, forduljon az ügyfélszolgálatához a (+44) 1935 382 222-es telefonszámon.

Web: tritontools.com/en-GB/Support

Cím:

Powerbox
Boundary Way
Lufton Trading Estate
Yeovil, Somerset
BA22 8HZ, United Kingdom

Tárolás

- Tárolja ezt a szerszámot körültekintően, egy biztonságos, száraz, gyermekek által nem elérhető helyen. Amennyiben a szerszámot egy műhelyben vagy garázsban állandó helyen használja, korlátozza a szerszám hozzáférhetőségét, hogy gyermekek ne működtethessék azt.

Leselejtezés

A már nem működőképes és javíthatatlan elektromos kéziszerszámok ártalmatlanítása során mindig tartsa be a nemzeti előírásokat.

- Ne dobja ki a leselejtezett elektromos kéziszerszámot vagy egyéb elektromos és elektronikus berendezést (WEEE) a háztartási hulladékkal együtt.
- Forduljon a helyi hulladékkezelési hatóságához, hogy tájékozódjon a szerszámok ártalmatlanításának megfelelő módjáról.

Hibaelhárítás

Hibajelenség	Lehetséges ok	Megoldás
A gép nem reagál a BE/KI kapcsoló működtetésére.	Nincs tápfeszültség.	Ellenőrizze a tápfeszültséget.
	Hibás BE/KI kapcsoló	A BE/KI kapcsolót hivatalos Triton szervizben cseréltesse ki.
A csiszolóhüvely (25) nem forog együtt a dobbal (31).	Az orsóanya (27) nincs kellően meghúzva.	Kis lépésekben addig húzzon az orsóanyán, míg a dobon meg nem szorul a csiszolóhüvely.
A csiszolószalag használat közben nem marad meg ugyanazon a magasságon.	A szalagfutás beállítása helytelen.	Lásd: A szalagfutás beállítása
Nagy mennyiségű por képződik.	A porelvezető járat eltömődött.	Kapcsolja ki a gépet a főkapcsolónál. Szerelje le a rezgőorsós csiszoló tartozékait vagy a szalagcsiszoló egységet, majd távolítsa el az eltömődést a porelvezető járatból.
	Helytelen vezetőgyűrű van felszerelve.	Helyezzen be megfelelő méretű vezetőgyűrűt.
A csiszolódob nem működik teljes fordulatszámon, vagy a motor hangja a szokásostól eltérő.	A motor túlmelegszik.	Kapcsolja KI, és várjon fél órát a motor lehűléséhez.
	A motor meghibásodott.	Forduljon egy hivatalos Triton szervizhez.
	Ki kell cserélni a szénkeféket.	Lásd: Szénkefe cseréje
	A motorszjij kopott vagy megnyúlt.	Forduljon egy hivatalos Triton szervizhez.

Jótállás

A jótállás regisztrálásához látogassa meg webhelyünket a www.tritontools.com címen, és adja meg adatait. Adatai bekerülnek a levelezési listánkba (kivéve, ha ezt másképpen adja meg), és tájékoztatjuk a későbbi kiadásokról. A megadott adatokat nem bocsátjuk harmadik fél rendelkezésére.

Vásárlási nyilvántartás

Vásárlás dátuma: ___/___/___

Típus: TSPST450 Órizza meg a vásárlást igazoló nyugtát.

EK Megfelelőségi nyilatkozat

Alulírott: Mr Darrell Morris

meghatalmazva az alábbi által: Triton

Kijelentem, hogy az alábbi: Ezt a nyilatkozatot a gyártó kizárólag a saját felelősségére bocsájtotta ki. A nyilatkozat tárgya megfelel az Európai Unió idevonatkozó harmonizációs törvényeinek.

Azonosító kód: TSPST450

Leírás: 450 W teljesítményű rezgő orsós csiszológép és szalagcsiszoló

kielégíti az alább felsorolt irányelvek és szabványok előírásait:

- 2006/42/EC gépészeti irányelv
- 2014/30/EC EMC irányelv
- 2011/65/EU RoHS irányelv
- EN 61029-1:2009+A11:2010
- EN ISO 12100:2010
- EN 55014-1:2006+A2:2011
- EN 55014-2:1997+A2:2008
- EN 61000-3-2:2014
- EN 61000-3-3:2013

A Triton Precíziós Szerszámgépek garantálják vásárlóinak, hogy bármely alkatrész anyaghibából vagy gyártási hibából, a vásárlási időpontjától számított 3 éven belül bekövetkezett meghibásodása esetén, a Triton ingyenesen megjavítja - vagy alapos megfontolás esetén kicseréli – a hibás alkatrészt.

Ez a garancia nem vonatkozik ipari jellegű használatra, továbbá általános jellegű kopásra, illetve a termék nem rendeltetésszerű használatából eredő meghibásodására.

*Regisztráljon az interneten 30 napon belül.

Feltételek és kikötések vonatkoznak.

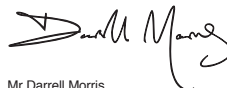
Nincs hatással a törvényben meghatározott jogaira.

Tanúsító testület: TÜV SÜ

A műszaki dokumentációt tárolja: Triton

Dátum: 22/10/2018

Dátum:



Mr Darrell Morris

Igazgató

A gyártó neve és címe:

Powerbox International Limited, Company No. 06897059. Registered

address: Powerbox, Boundary Way, Lufton Trading Estate, Yeovil, Somerset

BA22 8HZ, United Kingdom.

Překlad originálního návodu

Úvod

Děkujeme za zakoupení výrobku Triton. Tento návod obsahuje nezbytné informace pro bezpečné používání a správnou funkci tohoto výrobku. Tento výrobek nabízí mnoho jedinečných funkcí. Je možné, že jste již s podobným výrobkem pracovali; přesto si důkladně přečtěte tento návod, abyste rozuměli pokynům. Ujistěte se, že všichni, kdo s výrobkem pracují, tento návod četli a porozuměli mu.

Použité symboly

Typový štítek na vašem nářadí může obsahovat symboly. Ty představují důležité informace o výrobku nebo pokyny k jeho použití.



Používejte chrániče sluchu
Používejte ochranné brýle
Používejte respirátory
Používejte ochrannou přilbu



Používejte ochranné rukavice



Přečtěte si návod



Pozor!



Pouze pro použití uvnitř!



Nebezpečné výpary nebo plyny!



Nářadí vždy vypojte z elektrické sítě, pokud provádíte úpravy, měníte příslušenství, čistíte, provádíte údržbu a když nářadí nepoužíváte!



Odsávání třísek vyžadováno nebo doporučeno



Třída ochrany II (dvojitá izolace pro vyšší ochranu)



OCHRANA ŽIVOTNÍHO PROSTŘEDÍ Nevyhazujte elektronářadí do domovního odpadu. Zařízení odevzdejte k recyklaci. V případě dotazů kontaktujte příslušný úřad nebo prodejce.



V souladu s příslušnou legislativou a bezpečnostními standardy.

Tabulka technických zkratk

V	volt
Hz	hertz
~, AC	střídavý proud
≡, DC	stejnoseměrný proud
n ₀	otáčky naprázdno
A, mA	ampér, miliampér
W, kW	watt, kilowatt
/min nebo min ⁻¹	operace za minutu
n	jmenovité otáčky
rpm	otáčky za minutu
opm	oběhy nebo oscilace za minutu
°	stupně
dB(A)	hladina akustického tlaku v decibelech (vážená)
∅	průměr
m/s ²	metry za sekundu ² (velikost vibrací)

Technická data

Model č.:	TSPST450
Napětí:	230 V~ 50 Hz
Výkon:	450 W
Otáčky naprázdno (vřeten):	2000/min 480/min (pás):
Oscilace:	58 oscilací/minutu
Výška oscilace:	16 mm
Velikost brusné objímky:	13, 19, 26, 38, 51 mm průměr
Rozměry pásu:	100 x 610 mm
Port pro odsávání prachu (externí průměr):	38mm
Velikost desky (D x Š):	430 x 410 mm
Rozměr sklopné desky (D x Š):	220 x 410 mm
Naklonění desky:	0-45°
Zarážky naklonění desky:	0°, 15°, 22,5°, 30° a 45°
Rozměry vřeten:	12,7 mm x 1,5 mm závit
Třída ochrany:	
Krytí	IP20
Rozměry (D x Š x V):	390 x 330 x 450 mm
Hmotnost:	12,9 kg

As part of our ongoing product development, specifications of Triton products may alter without notice.

Údaje o hluku a vibracích

Akustický tlak L_{pA} :	76 dB(A)
Akustický výkon L_{WA} :	89 dB(A)
Tolerance K:	3 dB
The sound intensity level for the operator may exceed 85dB(A) and sound protection measures are necessary.	

VAROVÁNÍ: Pokud hladina hluku přesáhne 85 dB(A), vždy noste chrániče sluchu a omezte dobu práce s elektronářadí. Pokud se hladina hluku stane nepřijemnou, I. s chrániči sluchu, ihned přestaňte nářadí používat. Zkontrolujte, zda máte chrániče sluchu správně připevněné, aby mohly poskytovat potřebné snížení hladiny hluku, které elektronářadí vydává.

VAROVÁNÍ: Vystavení se vibracím elektronářadí může způsobit ztrátu vnímání dotyku, necitlivost rukou, mravenčení a/nebo omezenou schopnost úchopu. Dlouhodobé vystavení vibracím může ovlivnit v chronický stav. Pokud je třeba, omezte čas, kdy jste vibracím vystaveni a používejte anti-vibrační rukavice. Elektronářadí nepoužívejte v prostředí s nižší než pokojovou teplotou, protože vibrace mohou mít větší efekt. Využijte hodnot uvedených v technických datech, abyste určili vhodnou délku práce a frekvenci práce s elektronářadí.

Úroveň hluku a vibrací byla změněna podle měřících metod normovaných v EN60745, příp. podobných mezinárodních standardů. Naměřené hodnoty odpovídají běžnému užítí elektronářadí v běžných pracovních podmínkách. Špatné udržování, nesprávné složení nebo špatně používané nářadí může vytvářet vyšší hladiny hluku i vibrací. www.osha.europa.eu nabízí informace o úrovni hluku a vibrací v pracovním prostředí; tyto informace mohou být užitečné pro hobby uživatele, kteří používají přístroj častěji.

BEZPEČNOSTNÍ OPATŘENÍ

UPOZORNĚNÍ Přečtěte si všechna bezpečnostní varování a instrukce. Neuposlechnutí následujících varování může způsobit úraz elektrickým proudem, požár a/nebo vážné poranění.

UPOZORNĚNÍ: Tento přístroj nesmí být používán osobami (včetně dětí) s tělesným nebo mentálním poškozením. Dále ho nesmí používat osoby s minimem zkušeností nebo znalostí.

Uchovávejte všechna varování a instrukce pro budoucí použití.

Výrazem "elektronářadí" zmiňovaných v bezpečnostních opatřeních se rozumí zařízení používané v elektrické síti (se síťovým kabelem) nebo zařízení, které využívá bateriový pohon (bez síťového kabelu).

1. Bezpečnost pracovního místa

- Udržujte pracovní místo čisté a dobře osvětlené.** Nepořádek nebo neosvětlené pracovní místo může vést k úrazům.
- Nepoužívejte elektronářadí v prostředí ohroženém explozí, kde se nacházejí hořlavé kapaliny, plyny nebo prach.** Elektronářadí vytváří jiskry, které mohou prach nebo páry zapálit.
- Děti a jiné přihlížející osoby udržujte při použití elektronářadí daleko od pracovního místa.** Při rozptýlení můžete ztratit kontrolu nad přístrojem.

2. Bezpečná práce s elektřinou

- Připojovací zástrčka elektronářadí musí odpovídat zásuvce. Zástrčka nesmí být žádným způsobem upravována.** Společně s elektronářadími s ochranným uzemněním nepoužívejte žádné adaptérové zástrčky. Neupravené zástrčky a vhodné zásuvky snižují pravděpodobnost úrazu elektrickým proudem.
- Vyhnete se tělesnému kontaktu s uzemněnými povrchy jako je potrubí, topná tělesa, sporáky a chladničky.** Je-li vaše tělo uzemněno, hrozí zvýšené riziko úrazu elektrickým proudem.
- Chraňte zařízení před deštěm a vlhkem.** Vniknutí vody do elektronářadí zvyšuje nebezpečí úrazu elektrickým proudem.
- Dbejte na účel kabelu, nepoužívejte jej k nošení či zavěšení elektronářadí nebo k vytáhání zástrčky ze zásuvky.** Udržujte kabel daleko od tepla, oleje, ostrých hran nebo pohyblivých dílů stroje. Poškozené nebo spletené kabely zvyšují riziko zásahu elektrickým proudem.
- Pokud pracujete s elektronářadím venku, použijte pouze takové prodlužovací kabely, které jsou způsobilé i pro venkovní použití.** Použití prodlužovacího kabelu, jež je vhodný pro použití venku, snižuje riziko zásahu elektrickým proudem.
- Pokud se neteže vyhnot provozu elektronářadí ve vlhkém prostředí, použijte proudový chránič.** Použití proudového chrániče snižuje riziko zásahu elektrickým proudem.

3. Osobní bezpečnost

- Buďte pozorní, dávejte pozor na to, co děláte, a přistupujte k práci s elektronářadím rozumně.** Nepoužívejte žádné elektronářadí, pokud jste unaveni nebo pod vlivem drog, alkoholu nebo léků. Moment nepozornosti při použití elektronářadí může vést k vážným poraněním.
- Noste osobní ochranné pomůcky a vždy ochranné brýle.** Nošení osobních ochranných pomůcek jako je maska proti prachu, bezpečnostní obuv s protiskluzovou podrážkou, ochranná přilba nebo sluchátka, podle druhu použití elektronářadí, snižují riziko poranění.
- Zabraňte neúmyslnému uvedení do provozu. Přesvědčte se, že je elektronářadí vypnuté, dříve, než jej uchopíte, poneसेte či připojíte na zdroj proudu a/nebo akumulátor.** Máte-li při nošení elektronářadí prst na spínači, nebo pokud stroj připojíte ke zdroji proudu zapnutý, může dojít k úrazům.
- Než elektronářadí zapnete, odstraňte seřizovací nástroje nebo šroubováky.** Nástroj nebo klíč, který se nachází v otáčivém dílu stroje, může vést k poranění.
- Zajistěte si bezpečný postoj a udržujte vždy rovnováhu.** Tím můžete elektronářadí v neočekávaných situacích lépe kontrolovat.
- Noste vhodný oděv. Nenoste žádný volný oděv nebo šperky. Vlasy, oděv a rukavice udržujte daleko od pohyblivých se dílů.** Volný oděv, šperky nebo dlouhé vlasy mohou být zachyceny pohyblivými se díly.
- Lze-li namontovat odsávací či zachycující přípravky, přesvědčte se, že jsou připojeny a správně použity.** Použití odsávací prachu může snížit ohrožení prachem.
- Nedovoďte, aby to, že s nářadím umíte zacházet, způsobilo, že se budete cítit zkušeně a budete ignorovat zásady bezpečnosti nářadí.** Nedbalá činnost může způsobit vážné poranění za zlomek sekundy.

4. Svědomitě zacházení a používání elektronářadí

- Přístroj nepřetěžujte. Pro svou práci použijte k tomu určené elektronářadí.** S vhodným elektronářadím zvládnete práci lépe a bezpečněji.
- Nepoužívejte žádné elektronářadí, jehož spínač nebo přívodní kabel je vadný.** Elektronářadí, které nelze zapnout či vypnout, je nebezpečné a musí se opravit.
- Než provedete seřízení stroje, výměnu dílů příslušenství nebo stroj odložíte, vytáhnete zástrčku ze zásuvky a/nebo odstraňte akumulátor.** Toto preventivní opatření zabrání neúmyslnému zapnutí elektronářadí.
- Uchovávejte nepoužívané elektronářadí mimo dosah dětí. Nenechte stroj používat osobám, které se strojem nejsou seznámeny nebo nečtly tyto pokyny.** Elektronářadí je nebezpečné, je-li používáno nezkušenými osobami.
- Pečujte o elektronářadí svědomitě. Zkontrolujte, zda pohyblivé díly stroje bezvadně fungují a nevzpíchnou se, zda díly nejsou zlomené nebo poškozené tak, že je omezena funkce elektronářadí.** Poškozené díly nechte před opětovným použitím přístroje opravit. Mnoho úrazů má příčinu ve špatně udržovaném elektronářadí.
- Řezné nástroje udržujte ostré a čisté.** Pečlivě ošetřované řezné nástroje s ostrými řeznými hranami se méně vzpíchnou a snadněji se vedou.
- Používejte elektronářadí, příslušenství, nasazovací nástroje apod. podle těchto pokynů.** Respektujte přitom pracovní podmínky a prováděnou činnost. Použití elektronářadí pro jiné než určené použití může vést k nebezpečným situacím.
- Udržujte rukojeti a povrchy suché, čisté a bez oleje a mastnoty.** Klouzavé rukojeti a úchopy neumožňují bezpečnou manipulaci s nářadím a jeho kontrolu v nečekaných situacích.
- Servis**
 - Nechte vaše elektronářadí opravit pouze certifikovaným odborným personálem a pouze s originálními náhradními díly.** Tím bude zajištěno, že bezpečnost stroje zůstane zachována.

Bezpečnostní opatření pro oscilační vřetenovou a pásovou brusku

VAROVÁNÍ!

- Elektronářadí držte pouze za izolované části, protože brusný kotouč se může dostat do kontaktu s kabelem nářadí. Prořiznutí „živého“ kabelu může způsobit, že kovové části elektronářadí se stanou také živými a mohou způsobit pracovníkovi úraz elektrickým proudem.**
- Nářadí patří do kategorie 1 (uzemněné) a má 3-žilový kabel a zástrčku.** Pokud dojde k poškození kabelu nebo zástrčky, nářadí by měl o opravit certifikované servisní středisko Triton, abyste předešli možnému riziku.
- Důrazně se doporučuje, aby byl nástroj vždy používán s proudovým chráničem se jmenovitým zbytkovým proudem 30 mA nebo méně.**

Varování, opatření a instrukce obsažené v tomto návodu nemohou pokrýt všechny možné podmínky a situace, které při práci s bruskou mohou

nastat. Osoba pracující s bruskou musí chápat, že selský rozum a opatrnost jsou faktory, které nemohou být dodávány společně s tímto výrobkem – ale musí být dodány samotnou osobou pracující s tímto nářadím.

Nepracujte s bruskou, pokud není plně smontovaná a dokud jste si nepřečetli celý návod a neporozuměli následujícím instrukcím a varovným štítkům na oscilační vřetenové brusce.

- Zkontrolujte stav brusky. Pokud jakákoliv součást chybí, je zdeformovaná nebo nepracuje správně, vyměňte tento díl, než s bruskou začnete pracovat.
- Než začnete s oscilační bruskou pracovat, určete si, pro jaký druh práce budete brusku využívat.
- Zajistěte opracováváný kus. Položte materiál na horní desku a chyťte ji do obou rukou.
- Uvědomte si směr broušení. Veďte materiál proti směru rotace brusné objímky nebo pásu.
- Mějte ruce vždy mimo prostor rotace brusky a brusné objímky. Vyhýbejte se pozicím rukou, kdy by mohlo dojít k nenadálému sklouznutí rukou směrem k vřetenou. Pokud bruska rotuje, nesahejte do prostoru pod materiálem a okolo brusné objímky.
- Vypněte brusku vypnutím spínače. Počkejte s údržbou, dokud se vřetenou nezastaví. Bruska musí být vypojena ze zdroje proudu, pokud vyměňujete vložky do horní desky, brusné objímky, brusné válce, pásy, vložky do desky nebo jiné věci.
- Ujistěte se, že v oblasti broušení na opracovávaném materiálu nejsou hřebíky a jiné cizí předměty.
- Nikdy tuto brusku nepoužívejte pro broušení za mokra. Pokud byste tak učinili, riskujete úraz elektrickým proudem, který může způsobit vážné poranění.
- Pokud opravujete tuto brusku, používejte pouze identické náhradní díly.
- Než sáhnete na opracovávaný materiál, ujistěte se, že vřetenou se úplně zastavilo.
- Přijměte bezpečnostní opatření, pokud brusíte barvou natřené povrchy. Broušení barev na bázi olova se NEDOPORUČUJE. Kontaminovaný prach je příliš obtížné kontrolovat a může způsobit otravu olovem.

Když brousíte barvu:

- Chraňte své plíce. Noste protiprachovou masku nebo respirátor
- Zabraňte přístupu dětí a těhotných žen do prostoru, kde se brousí, dokud nedokončíte broušení a neuklidíte prach
- Nejezte, nepijte ani nekuřte v prostoru, kde brousíte povrchy natřené barvou
- Je-li to možné, použijte odsávací systém. Zakryjte nepotřebnou pracovní plochu. Nevynášejte prach mimo pracovní prostor
- Důkladně očistěte pracovní prostor, když dokončíte broušení barvy

Popis dílů

- Knoflík běhu pásu
- Páčka uvolnění pásu
- Zarážka materiálu
- Zámek vřetenou
- Křídlová matice zarážky materiálu
- Pevná deska
- Uložení vložek desky
- Knoflík nastavení úhlu desky
- Měřítka úhlu desky
- Zarážky úhlu desky
- Otvory pro přichycení ke stolu
- Vypínač
- Spínač
- Uložení podložek
- Uložení válce
- Sklonná deska
- Pásová bruska
- Port pro odsávání prachu
- Knoflík nastavení úhlu desky
- Uložení vložek desky
- Uložení klíče
- Zadní úložný prostor
- Jednotka brusného pásu
- Brusný pás
- Brusné objímky (5 velikostí)
- Vložky do desky (5 velikostí)
- Matice vřetenou
- Podložka vřetenou (3 velikostí)
- Vložka desky
- Klíč
- Brusné válce (4 velikostí)
- Vřetenou
- Knoflík vřetenou

Doporučené použití

Elektrické brusné nářadí pro připevnění k pracovnímu stolu, ke kterému můžete upevnit buď rotační a výškově oscilující brusnou hlavu nebo jednotku s brusným pásem. Vhodné pro broušení zakřivených i rovných povrchů na malých i větších materiálech. Sklopná přední část desky umožňuje opracovávání hran, např. sázení.

Vybalení vašeho nářadí

- Nářadí opatrně vybalte a zkontrolujte. Seznamte se se všemi jeho vlastnostmi a funkcemi
- Ujistěte se, že v balení byly všechny díly a že jsou v pořádku. Pokud bude nějaký díl chybět nebo bude poškozen, nechejte si tyto díly vyměnit předtím, než s nářadím začnete pracovat

Před použitím

VAROVÁNÍ: Vždy se ujistěte, že nářadí je vypnuté a vypojené z elektrické sítě, než budete provádět úpravy nastavení nebo nasazovat/sundávat příslušenství.

Připevnění ke stolu

Pokud budete vřetenovou brusku používat trvale na jednom místě, je vhodné ji připevnit ke stěně a masivní pracovní ploše.

- Využijte otvorů pro přichycení ke stolu (11) v základně pro vyznačení a vyvrtání děr, např. na pracovním stole. Zajistěte brusku použitím velkých šroubů, podložek a matic (není součástí balení), obr. 1
- Pokud plánujete brusku využívat na více místech, připevněte k základně brusky desku, kterou můžete snadno svérkami přichytit k různým povrchům a znovu uvolnit
- Pokud používáte šrouby, ujistěte se, že jsou dostatečně dlouhé na to, aby prošly pracovním stolem nebo deskou, a matice bylo možné dostatečně utáhnout

Poznámka: Použijte nylcové matice nebo pružinové podložky, aby vibracemi nedošlo k uvolnění matic.

Poznámka: Nikdy nepoužívejte šrouby pro přichycení brusky, které je třeba šroubovat silou – mohlo by dojít k prasknutí plastového těla nářadí, pokud by se matice utáhly příliš.

Odsávání prachu

Doporučujeme, abyste vřetenovou brusku používali s nainstalovaným systémem pro odsávání prachu pro čistší a bezpečnější pracovní prostředí.

- Připevněte hadici systému pro odsávání prachu k portu (18) a ujistěte se, že je pevně přichycena
- Abyste dosáhli nejvyšší účinnosti odsávání, zapněte odsávání před spuštěním vřetenové brusky

Režim pásově brusky

- Nejdříve je třeba odstranit součásti oscilační vřetenové brusky – odšroubujte matice vřetenou (27) pomocí klíče (30) a odstraňte podložku vřetenou (28), brusný válec (31), vložku do desky (26) a vložku desky (29)
- Součásti vřetenové brusky uložte do prostoru v těle nářadí – je k dispozici prostor pro uložení podložek (14), válců (15), vložek desky (7 a 20) a zadní úložný prostor (22)
- Upevněte jednotku brusného pásu (23) do prostoru v pevné desce (6), jak je vyobrazeno, a pomocí knoflíku vřetenou (33) jednotku zajistěte
- Pokud to práce vyžaduje, připevněte zarážku materiálu (3) pomocí křídlové matice zarážky materiálu (5)
- Pokud není k jednotce přichycen brusný pás (24), pohybujte páčkou uvolnění pásu (2) směrem ke knoflíku vřetenou, abyste mohli upevnit pás. Tento mechanismus je napájený pružinou s určitou mírou napětí, takže je třeba pohyb kontrolovat, aby nedošlo k poškození
- Nasadte pás – tak, aby byl rovně, ve správné výšce na přední části jednotky brusného pásu – ujistěte se, že orientace brusného pásu je správná (obr. A) a odpovídá směru šípky
- Páčku uvolnění pásu vraťte zpět ke knoflíku běhu pásu (1), abyste pás zajistili v poloze
- Nářadí připojte do elektrické sítě a zapněte – přitom ale sledujte, jestli je pás ve správné poloze. Pokud se pás pohybuje směrem nahoru či dolů, brusku okamžitě vypněte

Nastavení polohy pásu

Nastavte polohu pásu pomocí knoflíku běhu pásu. Pokud se pás jen málo vychyluje z nastavené pozice, pomocí knoflíku běhu pásu udělejte malou úpravu polohy. Pokud se pás po každém použití vychylí o větší kus, použijte nejprve páčku pro uvolnění pásu, abyste nastavili správnou výšku pásu, než použijete knoflík běhu pásu pro úpravu polohy.

- Pro zvýšení výšky pásu otočte knoflík běhu pásu po směru hodinových ručiček. Pro snížení výšky pásu knoflík otočte proti směru hodinových ručiček.
- V rámci nastavení knoflíku běhu pásu je rozmezí nastavení, kdy pás běží ve správné poloze. Vždy se snažte tuto polohu nalézt, aby pás běžel ve správné poloze i pod zátěží.

Poznámka: Pokud se pás bude dít o snížení v povrchu pevné desky, pás se zničí. Je vhodnější nastavit běh pásu tak, aby pás při pohybu pomalu mířil nahoru než dolů, protože tak nedojde k poškození okraje pásu. Udělejte velké nastavení polohy pásu směrem nahoru tím, že knoflík otočíte ve směru hodinových ručiček, a pak po menších krocích ubírejte výšku otáčením proti směru hodinových ručiček.

Režim vřetenové brusky

Výběr správné zrnitosti brusné objímky

- Brusné objímky jsou k dispozici v různých stupních: hrubá (zrnitost 80), střední (zrnitost 150) a jemná (zrnitost 240)
- Hrubou zrnitost použijte pro zbrusnění hrubého povrchu; střední pro zjemnění povrchu a jemnou pro dokončení
- Vždy používejte pouze kvalitní brusné objímky, abyste získali perfektní výsledky
- Doporučujeme, abyste si na kousku dřeva nejdříve vyzkoušeli, zda jste zvolili správnou zrnitost. Pokud po broušení stále vidíte na materiálu značky, použijte hrubší zrnitost, abyste značky zbrusili a pak použijte znovu jemnější zrnitost. Anebo použijte novou brusnou objímku, abyste odstranili značky a pak použijte jemnější zrnitost pro dokončení práce

Přípevnění brusné objímky

1. Odšroubováním a odstraněním knoflíku vřetene (33) vyjměte pásovou brusku (17) z pevné desky (6). Brusku uložte v zadním úložném prostoru (22)
2. Vyberte odpovídající součásti pomocí tabulky vložek do desky
3. Nasaďte součásti tak, jak je uvedeno na obrázku
4. Utáhněte matici vřetenové (27) pomocí klíče (30), abyste zajistili brusné objímky proti sklouznutí. Neutahujte příliš
5. Pokud je to pro práci potřeba, nasaďte zářezku materiálu (3) pomocí křídlové matice zářezky materiálu

Poznámka: Doporučujeme použití matice vřetenové (27). Pokud ale často používáte pásový i oscilační režim, můžete použít knoflík vřetene (33) pro dostatečné stlačení brusné objímky. Záleží však na tvaru brusné objímky a válece.

DŮLEŽITÉ: Použijte níže uvedenou tabulku, abyste vybrali správnou velikost vložek do desky a brusných válců pro použití s brusnou objímkou.

Tabulka vložek do desky

Csiszolóhvélly (25)	Csiszólódob [31]	Vezetőgyűrű (26)	Orsóalátét (28)
13mm	N/A	13mm	Kicsi
19mm	Kicsi	19mm	Közepes
26mm	Közepes	26mm	Közepes
38mm	Nagy	38mm	Közepes
51mm	Nagyon nagy	51mm	Nagy

Poznámky

- Všechny brusné objímky (25), s výjimkou nejmenší 13 mm (1/2"), se nasazují na odpovídající brusný válec (31)
- V případě opotřebení brusné objímky na jednom konci je možné ji otočit (spodní část brusné objímky bude nahoře) a využít tak i zbývající část brusné objímky.
- Pokud se brusná objímka na gumovém válci při spuštění protáčí, matice vřetenové (27) nebyla dostatečně utažena – gumový válec není stlačen a proto nesvírá objímku
- Než nářadí zapnete, zkontrolujte, že se brusná objímka nedotýká vložky do horní desky

DŮLEŽITÉ: Nepoužívejte opotřebované brusné objímky. Může dojít k přehřátí a teplo může zničit gumový válec. Gumové válce poškozené kvůli opotřebovaným brusným pásům nejsou součástí záruky.

DŮLEŽITÉ: Pokud nepoužijete správnou velikost vložky do desky (26) s odpovídající brusnou objímkou, můžete si skřípnout prsty nebo může dojít k vtažení materiálu mezi vložku do desky a brusnou objímku.

Brusná objímka by měla pohodlně zapadnout do vřetene ve středu vložky do desky.

Naklopení desky

Sklopnou desku (16) je možné naklopit až na 45° - díky tomu můžete snadno srážet a opracovávat hrany

1. Povolte dva knoflíky nastavení úhlu desky (8 a 19) na obou stranách desky
2. Desku nastavte do požadovaného úhlu pomocí měřítka úhlu desky (9). Zářezky úhlu desky (10) jsou v běžné používaných úhlech (0°, 15°, 22,5°, 30° a 45°)
3. Knoflíky nastavení úhlu desky zajistíte, abyste desku zajistili v požadované poloze

Pokyny pro použití

VAROVÁNÍ: VŽDY noste vhodné ochranné brýle, chránič ochrany sluchu, respirátory i ochranné rukavice, když pracujete s tímto nářadím.

VAROVÁNÍ: ZKONTROLUJTE, že oblečení a rukavice, které při práci s brusnou používáte, se netřepí nebo nepáří. Mohlo by totiž dojít k zachycení látky rotujícími vřetenem, což může způsobit závažné poranění. Doporučujeme, abyste nosili rukavice, které nejsou vyrobeny z látky.

Zapnutí a vypnutí

Poznámka: Předtím, než nářadí spustíte, zkontrolujte, že se brusná objímka nedotýká vložky do desky nebo brusného pásu a povrchu desky

- Pro zapnutí brusky zmáčknete spínač (13) umístěný na přední straně brusky
- Pro vypnutí brusky zmáčknete vypínač (12)

Broušení

VAROVÁNÍ: S touto brusnou nebruste kovové materiály. Broušení kovů způsobí jiskry, které mohou zapálit dřevěný prach a prachové částice v/na brusce i pracovní ploše

POZNÁMKA: Vřetenová a brusný pás rotuje proti směru hodinových ručiček

1. Zkontrolujte, že bruska je bezpečně připevněna k pracovní ploše
2. Ujistěte se, že nosíte všechny ochranné pomůcky včetně masky a ochranných brýlí. Zapněte systém pro odsávání prachu (pokud je k dispozici)
3. Zapněte brusku a počkejte, než se motor naplní rozeběhne
- DŮLEŽITÉ:** Postupně přisouvajte materiál, PROTI směru rotace, k brusné objímce. Jinak rotační síla brusné objímky bude mít tendenci vyhodit nebo odrazit materiál mimo brusnou objímku. Materiál netačte ani nevyvíjejte přílišný tlak.

4. Pokud je to možné, použijte zářezku materiálu (3)
5. Po dokončení práce nářadí vypněte a odpojte z elektrické sítě

Příslušenství

- Sortiment příslušenství a specifického materiálu, včetně brusných objímek a pásů, je k dispozici u vašeho prodejce Triton. Náhradní díly si můžete zakoupit na www.toolspareonline.com

Údržba

VAROVÁNÍ: Zkontrolujte, že nářadí je vypnuté a odpojené ze sítě, než na něm budete provádět úpravy nastavení nebo údržbu.

- Jakékoliv poškození tohoto nářadí by mělo být opraveno a prověřeno vyškoleným technikem před použitím
- Ujistěte se, že vyškolený technik používá pouze identické náhradní díly. Tím se zajistí, že nářadí bude bezpečné pro další použití

Běžná kontrola

Pravidelně kontrolujte, že upevňovací šrouby jsou pevně utaženy. Vibrace mohou způsobit jejich uvolnění

Údržba převodního kabelu

Pokud je třeba převodní kabel vyměnit, musí to provést výrobce, zástupce výrobce nebo certifikované servisní středisko, aby se předešlo bezpečnostním rizikům.

Čištění

1. Pravidelně odstraňujte prach a špínu. Často vyfoukáváte nebo vysávejte prach z dílů brusky a z krytu motoru
2. Pravidelně vyjměte desku a dolní podložku z vřetene a odstraňte prach, který se nashromáždí v tomto prostoru.
3. Promazávejte všechny pohyblivé díly v pravidelných intervalech.
4. Nikdy nepoužívejte leptavé látky pro očištění plastových povrchů. Nikdy nepoužívejte leptavé látky pro očištění plastových povrchů. Použijte navlhčený hadřík s čisticím prostředkem pro očištění nářadí. Voda nikdy nesmí přijít do kontaktu s nářadím

Výměna uhlíků

- Během času dochází k opotřebení uhlíků v motoru
 - Výrazně opotřebované uhlíky mohou způsobit ztrátu výkonu, selhání nářadí nebo viditelné jiskření
 - Pro výměnu uhlíků:
1. Položte brusku opatrně na bok a odstraňte šrouby, které drží kryt základny, abyste se dostali k motoru
 2. Pokud je uvnitř nahromaděný prach nebo třísky, opatrně je odstraňte
 3. Odšroubujte 2 šrouby, které zajišťují kryt uhlíku (viz. šipka na obr. E) a kryt odstraňte
 4. Opatrně odstraňte komponent uhlíku (obr. F)
 5. Z komponentu uhlíku odstraňte drát a uhlík odstraňte
 6. Nasaďte nový uhlík a připojte zpět drát
 7. Komponent uhlíku znovu nasaďte, ujistěte se, že menší výčnělek je správně umístěn (šipka na obr. F)
 8. Nasaďte kryt uhlíku a utáhněte šrouby
 9. Zopakujte kroky 3-8 s druhým komponentem uhlíku. Je důležité, abyste uhlíky vyměňovali vždy v páru
 10. Nasaďte kryt základny a zajistěte ji šrouby
- Je také možné si uhlíky nechat vyměnit v certifikovaném servisním středisku

Kontakt

Pro technickou podporu nebo opravu kontaktujte linku pomoci (+44) 1935 382 222

Web: tritontools.com/en-GB/Support

Adresa:
Powerbox
Boundary Way
Lufton Trading Estate
Yeovil, Somerset
BA22 8HZ,
Velká Británie

Skladování

- Toto nářadí skladujte v bezpečném, teplém a suchém, prostředí mimo dosah dětí. Pokud je nářadí trvale sestaveno pro použití v dílně nebo garáži, ujistěte se, že k němu děti nemají volný přístup.

Likvidace

Vždy dbejte místních zákonů, pokud potřebujete přístroj zlikvidovat, protože již nefunguje a není možné ho opravit.

- Nevyhazujte elektronářadí nebo jiný elektroodpad (WEEE) do domovního odpadu
- V případě dotazů kontaktujte příslušný úřad pro bližší informace o likvidaci elektrozařízení

Řešení problémů

Problém	Možná příčina	Řešení
Nářadí nefunguje, když se spustí spínačem	Do nářadí nejde elektrický proud	Zkontrolujte dodávku elektrického proudu
	Vadný spínač	Nechejte si vyměnit spínač v certifikovaném servisním středisku Triton
Brusná objímka (25) se na brusném válci (31) neotáčí	Matice vřetene (27) není dostatečně utažena	Matici vřetene postupně utahujte, dokud brusný válec nebude objímku pevně svírat
Brusný pás mění výšku při použití	Nesprávné nastavení běhu pásu	Viz. „Nastavení polohy pásu“
Vzniká hodně prachu	Zablokovaný výfuk třísek	Odpojte nářadí ze sítě. Odstraňte součásti vřetenové brusky nebo jednotku pásové brusky a odstraňte přichycené třísky
	Nesprávná velikost vložky do desky	Zvolte správnou velikost vložky do desky
Brusný válec nejede na plnou rychlost nebo motor vydává neobvyklé zvuky	Motor se přehřívá	Nářadí vypněte a nechte ho půl hodiny zchladnout
	Motor je vadný	Kontaktujte certifikované servisní středisko Triton
	Je třeba vyměnit uhlíky	Viz. „Výměna uhlíků“
	Řemen motoru je opotřebovaný	Kontaktujte certifikované servisní středisko Triton

Záruka

Pro registraci záruky navštivte naše webové stránky www.tritontools.com* a zadejte informace o výrobku. Vaše údaje budou uloženy (pokud tuto možnost nezakážete) a budou vám zasílány novinky. Vaše údaje neposkytneme žádné třetí straně.

Záznam o nákupu

Datum pořízení: ___/___/___

Model: TSPST450

Kupní doklad uschovejte jako potvrzení zakoupení výrobku

CE Prohlášení o shodě

Níže podepsaný: pan Darrell Morris

zplnomocněný: Triton

prohlašuje, že: Toto prohlášení bylo vydáno na výhradní odpovědnost výrobce. Předmět tohoto prohlášení je v souladu s příslušnou harmonizační legislativou Unie.

Výrobek číslo: TSPST450

Popis: 450 W Oscilační vřetenová a pásová bruska

Byl uveden na trh ve shodě se základními požadavky a příslušnými ustanoveními následujících směrnic:

- Směrnice o bezpečnosti strojních zařízení 2006/42/EC
- Směrnice o technických požadavcích na výrobky z hlediska jejich elektromagnetické kompatibility 2014/30/EC
- Směrnice RoHS 2011/65/EU
- EN 61029-1:2009+A11:2010
- EN ISO 12100:2010
- EN 55014-1:2006+A2:2011
- EN 55014-2:1997+A2:2008
- EN 61000-3-2:2014
- EN 61000-3-3:2013

Pokud se během 3-letá ode dne nákupu objeví závada výrobku společnosti Triton Precision Power Tools, která byla způsobena vadou materiálu nebo vadným zpracováním, Triton opraví nebo vymění vadný díl zdarma.

Tato záruka se nevztahuje na výrobky, které budou používány pro komerční účely, a dále na poškození, které je způsobeno neodborným použitím nebo mechanickým poškozením výrobku.

* Registrujte se během 30 dní od nákupu.

Změna podmínek vyhrazena.

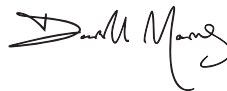
Těmito podmínkami nejsou dotčena vaše zákonná práva.

Notifikovaná osoba: TÜV SÜD Product Service

Technická dokumentace je uložena u: Triton

Datum: 22/10/2018

Podpis:



Mr Darrell Morris

Výkonný ředitel

Jméno a adresa výrobce:

Powerbox International Limited, Company No. 06897059. Registrovaná adresa: Powerbox, Boundary Way, Lufton Trading Estate, Yeovil, Somerset BA22 8HZ, United Kingdom.

Preklad originálneho návodu

Úvod

Ďakujeme za zakúpenie výrobku Triton. tento manuál obsahuje informácie nutné k bezpečnému používaniu a správne fungovaniu tohto výrobku. Tento výrobok ponúka mnoho jedinečných funkcií. Je možné, že ste už s podobným výrobkom pracovali, napriek tomu si však prečítajte tento manuál, aby ste naplno pochopili všetky inštrukcie. Uistite sa, že každý, kto s výrobkom pracuje, si tento manuál prečítal a porozumel mu.

Použitie symboly

Typový štítek na vašom náradí môže obsahovať symboly. Tie predstavujú dôležité informácie o výrobku alebo pokyny na jeho použitie.



Používajte chrániče sluchu
Používajte ochranné brýle
Používajte respirátory
Používajte ochrannou prilbu



Používajte ochranné rukavice



Přečtěte si návod



Pozor!



Pouze pro použití vevnitř!



Nebezpečné výpary nebo plyny!



Nářadí vždy vypojte z elektrické sítě, pokud provádíte úpravy, měníte příslušenství, čistíte, provádíte údržbu a když nářadí nepoužíváte!



Odsávání třísek vyžadováno nebo doporučeno



Třída ochrany II (dvojitá izolace pro vyšší ochranu)



OCHRANA ŽIVOTNÍHO PROSTŘEDÍ Nevyhazujte elektronářadí do domovního odpadu. Zařízení odevzdejte k recyklaci. V případě dotazů kontaktujte příslušný úřad nebo prodejce.



V souladu s příslušnou legislativou a bezpečnostními standardy.

Tabuľka technických skratiek

V	volty
Hz	hertz
~, AC	striedavý prúd
≡, DC	jednosmerný prúd
n ₀	otáčky naprázdno
A, mA	ampér, miliampér
W, kW	watt, kilowatt
/min nebo min ⁻¹	operácie za minútu
n	menovité otáčky
rpm	otáčky za minútu
opm	obehy alebo oscilácie za minútu
°	stupne
dB(A)	hladina akustického tlaku v decibeloch (vážená)
Ø	priemer
m/s ²	metre za sekundu ² (veľkosť vibrácií)

Technické informácie

Model č.:	TSPST450
Napätie:	230 V~, 50 Hz
Výkon:	450 W
Otáčky naprázdno (vreteno):	2000/min
(pás):	480/min
Oscilácia:	58 oscilácií/minútu
Výška oscilácie:	16 mm
Veľkosti brúsne objímky:	13, 19, 26, 38, 51 mm priemer
Rozmery pásu:	100 x 610 mm
Port pre odsávanie prachu (externé priemer):	38 mm
Veľkosť dosky (D x Š):	430 x 410 mm
Rozmer sklápnej dosky (D x Š):	220 x 410 mm
Naklonenie dosky:	0-45°
Zarážky naklonenie dosky:	0°, 15°, 22,5°, 30° a 45°
Rozmery vretena:	12,7 mm x 1,5 mm závit
Trieda ochrany:	
Krytie	IP20
Rozmery (D x Š x V):	390 x 330 x 450 mm
Hmotnosť:	12,9 kg
Vzhľadom k nepretržitému vývoju výrobkov Triton sa technické údaje našich výrobkov môžu meniť bez ohľadovania.	

Údaje o hluku a vibráciách

Akustický tlak L_{pA} :	76 dB(A)
Akustický výkon L_{WA} :	89 dB(A)
Tolerancia K:	3 dB
Pokiaľ úroveň hluku podľa použitého elektronáradia prekročí 85 dB(A), je treba prijať ochranné protihlukové opatrenia.	

VAROVANIE: Ak hladina hluku presiahne 85 dB(A), vždy noste chrániče sluchu a obmedzte dobu práce s elektronáradím. Pokiaľ sa hladina hluku stane neprijímajú aj s chráničmi sluchu, ihneď prestaňte náradie používať. Skontrolujte, či máte chrániče sluchu správne pripevnené, aby mohli poskytovať potrebné zníženie hladiny hluku, ktoré elektronáradie vydáva.

VAROVANIE: Vystavenie sa vibráciám elektronáradia môže spôsobiť stratu vnímania dotyku, necitlivosť rúk, mravčenie a/alebo obmedzenú schopnosť úchopu. Dlhodobé vystavenie sa vibráciám môže tieto problémy zmeniť na chronický stav. Ak je treba, obmedzte čas, kedy ste vibráciám vystavení a používajte anti-vibračné rukavice. Elektronáradie nepoužívajte v prostredí s teplotou nižšou než je izbová teplota, pretože vibrácie môžu mať väčší efekt. Využite hodnoty uvedené v technických informáciách, aby ste určili vhodnú dobu práce a frekvenciu práce s elektronáradím.

Úroveň hluku a vibrácií bola zmeraná podľa meracích metód normovaných v EN60745, príj. podobných medzinárodných štandardov. Namerané hodnoty zodpovedajú bežnému používaniu elektronáradia v bežných pracovných podmienkach. Nevhodne udržiavané, nesprávne zložené alebo nesprávne používané náradie môže vytvárať vyššie hladiny hluku a vibrácií. www.osha.europa.eu ponúka informácie o úrovni hluku a vibrácií v pracovnom prostredí; tieto informácie môžu byť užitočné pre hobby používateľov, ktorí používajú prístroj častejšie.

BEZPEČNOSTNÉ OPATRENIA

UPOZORNENIE: Prečítajte si všetky bezpečnostné varovania a inštrukcie. Neuposlúchnutie nasledujúcich varovaní môže spôsobiť úraz elektrickým prúdom, požiar a/alebo vážne poranenie!

UPOZORNENIE: Tento prístroj nesmie byť používaný osobami (vrátane detí) s telesným alebo mentálnym postihnutím. Ďalej ho nesmú používať osoby, ktoré majú nedostatok skúsenosti a znalosti.

Ušchovajte všetky varovania a inštrukcie pre budúce používanie.

Pod výrazom „elektronáradie“ používaným v bezpečnostných opatreniach sa rozumie zariadenie zapojené do elektrickej siete (sietovým káblom) alebo zariadenie, ktoré využíva batériový pohon (bez sieťového kábla).

- 1. Bezpečnosť pracovného miesta**
 - Udržujte pracovné miesto čisté a dobre osvetlené.** Neporiadok alebo neosvetlené pracovné miesto môže viesť k úrazom.
 - Nepoužívajte elektronáradie v prostredí kde hrozí výbuch, kde sa nachádzajú horľavé kvapaliny, plyny alebo prach.** Elektronáradie vytvára iskry, ktoré môžu prach alebo výparny zapáliť.
 - Deti a iné prihládajúce osoby udržiňte pri používaní elektronáradia ďaleko od pracovného miesta.** Pri rozptýlení môžete stratiť kontrolu nad prístrojom.
- 2. Bezpečná práca s elektrinou**
 - Pripojovacia zástrčka elektronáradia musí zodpovedať zásuvke. Zástrčka nesmie byť žiadnym spôsobom upravovaná. Pri používaní elektronáradia s ochranným uzemnením nepoužívajte žiadne adaptérové zástrčky.** Neupravené zástrčky a vhodné zásuvky znižujú pravdepodobnosť úrazu elektrickým prúdom.
 - Vyhnete sa telesnému kontaktu s uzemnenými povrchmi ako je potrebie, vykurovacie telesá, sporáky a chladničky.** Ak je vaše telo uzemnené, hrozí zvýšené riziko úrazu elektrickým prúdom.
 - Chráňte zariadenie pred dažďom a vlhkom.** Vniknutie vody do elektronáradia zvyšuje nebezpečenstvo úrazu elektrickým prúdom.
 - Dbajte na účel kábla, nepoužívajte ho na nosenie či vešanie elektronáradia alebo na vytiahnutie zástrčky zo zásuvky.** Udržujte kábel ďaleko od tepla, oleja, ostrých hrán alebo pohyblivých dielov stroja. Poškodené alebo zamotané káble zvyšujú riziko zásahu elektrickým prúdom.
 - Pokiaľ pracujete s elektronáradím vonku, použite jedine také predživacie káble, ktoré sú úspôsobené aj pre vonkajšie použitie.** Použitie predživacieho kábla, ktorý je vhodný na použitie vonku, znižuje riziko zásahu elektrickým prúdom.
 - Pokiaľ sa nedá vyhnúť použitiu elektronáradia vo vlhkom prostredí, použite prúdový chránič.** Použitie prúdového chrániča znižuje riziko úrazu elektrickým prúdom.
- 3. Osobná bezpečnosť**
 - Buďte pozorní, dávajte pozor na to, čo robíte a prístupujte k práci s elektronáradím rozumne.** Pokiaľ ste unavení, pod vplyvom drog, alkoholu alebo liekov, elektronáradie nepoužívajte. Moment nepozornosti pri použití elektronáradia môže viesť k vážnym poraneniam.

- Noste osobné ochranné pomôcky a vždy ochranné okuliare.** Nosenie osobných ochranných pomôcok ako je maska proti prachu, bezpečnostná obuv s protišmykovou podrážkou, ochranná prilba alebo sluchádká podľa druhu použitého elektronáradia znižuje riziko poranenia.
- Zabráňte neúmyselnému uvedeniu zariadenia do prevádzky. Presvedčte sa, či je elektronáradie vypnuté skôr, než ho uchopíte, poniesite či pripojíte k zdroju prúdu a/alebo akumulátoru.** Ak máte pri nesení elektronáradia prsta na spínači, alebo pokiaľ stroj pripojíte k zdroju prúdu s už zapnutým vypínačom, môže dôjsť k úrazom.
- Než elektronáradie zapnete, odstráňte nastavovacie náradie alebo skrutkovače.** Nástroj alebo kľúč, ktorý sa nachádza v otáčavom diely stroja, môže viesť k poraneniu.
- Zaistite si bezpečný postoj a vždy udržiajte rovnováhu.** Tým môžete elektronáradie v neočakávaných situáciách lepšie kontrolovať.
- Noste vhodný odev. Nenoste žiadny voľný odev alebo šperky. Vlasý, odev a rukavice udržiňte ďaleko od pohyblivých sú dielov.** Voľný odev, šperky alebo dlhé vlasý môžu byť zachytené pohybujúcimi sa dielmi.
- Ak je možné namontovať odsávače či zachytávacie zariadenia, presvedčte sa, to sú pripojené a správne používané.** Použitie odsávania prachu môže znížiť ohrozenia spôsobené prachom.
- Nedovoľte, aby to, že s náradím viete zaobchádzať, spôsobilo, že sa budete cítiť skúsenejší a budete ignorovať zásady bezpečnosti náradia.** Nedbala činnosť môže spôsobiť vážne poranenie za zlomok sekundy.
- Svedomite zaobchádzanie a používanie elektronáradia**
 - Prístroj nepreťažujte. Na prácu, ktorú vykonávate, použite na to určené elektronáradie.** S vhodným elektronáradím zvládnete prácu lepšie a bezpečnejšie.
 - Nepoužívajte elektronáradie, ktorého spínač alebo prívodný kábel je chybný.** Elektronáradie, ktoré sa nedá zapnúť či vypnúť, je nebezpečné a musí sa opraviť.
 - Kým vykonáte zostavenie stroja, výmenu dielov príslušenstva alebo stroj odložte, vytiahnite zástrčku zo zásuvky a/alebo odstráňte akumulátor.** Toto preventívne opatrenie zabráni neúmyselnému zapnutiu elektronáradia.
 - Nepoužívajte elektronáradie uchovávaťe mimo dosah detí. Stroj nedovoľte používať osobám, ktoré so strojom nie sú oboznánené alebo nečítali tieto pokyny.** Elektronáradie je nebezpečné, ak je používané neskusenými osobami.
 - Svedomite sa o elektronáradie staršie. Skontrolujte, či pohyblivé diely stroja fungujú bezchybne a nie sú vzpričené, či diely nie sú zlomené alebo poškodené tak, že je obmedzená funkcia elektronáradia.** Poškodené diely nechajte pred opätovným použitím prístroja opraviť. Mnoho úrazov je zapríčinených zlou údržbou elektronáradia.
 - Rezné nástroje udržiavajte ostré a čisté.** Riziko vzpričenia správne ošetrovaných rezných nástrojov s ostrými reznými hranami je menšie, a takto ošetrované nástroje sa ľahšie vedú.
 - Používajte elektronáradie, príslušenstvo, nasadzovacie nástroje a pod, podľa týchto pokynov.** Respektujte pritom pracovné podmienky a vykonávanú činnosť. Používanie elektronáradia na iné než určené použitie môže viesť k nebezpečným situáciám.
 - Udržiavajte rukoväti a povrchy suché, čisté a bez oleja a masntoty.** Klzávy rukoväte a úchopy neumožňujú bezpečnú manipuláciu s náradím a jeho kontrolu v nečakaných situáciách.
- 5. Servis**
 - Svoje elektronáradie nechávajte opraviť výhradne certifikovaným odborným personálom za použitia výhradne originálnych náhradných dielov.** Tým bude zaistené, že bezpečnosť stroja zostane zachovaná.

Bezpečnostné opatrenia pre oscilačnú vretenovú a pásovú brúsku



VAROVANIE!

- Náradie držte iba za izolované rukoväte a povrchy, ak vykonávate prácu, pri ktorej by náradia mohli prísť do kontaktu s vlastným prívodným káblom. Prerezanie "živého" kábla môže spôsobiť, že kovové časti elektrického náradia sa stanú tiež "živými" a môžu spôsobiť pracovníkovi úraz elektrickým prúdom.
- Dôrazne sa odporúča, aby bol nástroj vždy používaný s prúdovým chráničom s menovitým zvyškovým prúdom 30 mA alebo menším.
- Ak je potrebné vymeniť prívodný kábel, musí to vykonať výrobca alebo predajca, aby sa predišlo bezpečnostnému riziku.

Varovanie, opatrenia a inštrukcie obsiahnuté v tomto návode nemôžu pokryť všetky možné podmienky a situácie, ktoré pri práci s brúskou môžu nastať. Osoba pracujúca s brúskou musí chápať, že sedliacky rozum a opatnosť sú faktory, ktoré nemôžu byť dodávané spoločne s týmto výrobkom - ale musia byť dodané samotnou osobou pracujúcou s týmto náradím. Nepracujte s brúskou, pokiaľ nie je plne zmontovaná a kým si neprečítate celý návod a neporozumiete nasledujúcim inštrukciám a varovným štítkom na oscilačnej vretenovej brúske.

SK

- a) Skontrolujte stav brúsky . Ak akákoľvek súčasť chýba , je zdeformovaná alebo nepracuje správne, vymeňte tento diel, ako s brúskou začnete pracovať.
- b) Než začnete s oscilačnú brúskou pracovať, určite si, pre aký druh práce budete brúsku využívať .
- c) Zaisťte opracovaný kus. Položte materiál na hornú dosku a chyťte ju do oboch rúk.
- d) Uvedomte si smer brúsenia. Vedzte materiál proti smeru rotácie brúsne objímky alebo pásu.
- e) Majte ruky vždy mimo priestor rotácie brúsky a brúsne objímky. Vyhybajte sa pozíciám rúk, kedy by mohlo dôjsť k nečakanému sklznutiu rúk smerom k vretienu. Ak brúska rotuje, nesiahajte do priestoru pod materiálom a okolo brúsne objímky.
- f) Vypnite brúsku vypnutím spínača. Počkajte s údržbou, kým sa vretieno nezastaví. Brúska musí byť vypojená zo zdroja prúdu, ak vymieňate vložky do hornej dosky, brúsne objímky, brúsne valce, pásy, vložky do dosky alebo iné veci.
- g) Uistite sa, že v oblasti brúsenia na opracovanom materiáli nie sú kince a iné cudzie predmety.
- h) Nikdy túto brúsku nepoužívajte pre brúsenie za mokra. Ak by ste tak urobili, riskujete úraz elektrickým prúdom, ktorý môže spôsobiť vážne poranenie.
- i) Ak opravujete túto brúsku, používajte iba identické náhradné diely.
- j) Než siahnete na opracovaný materiál, uistite sa, že vretieno sa úplne zastavilo.
- k) Prijmite bezpečnostné opatrenia, pokiaľ brúsíte farbu natreté povrchy. Brúsenie farieb na báze olova sa NEODPORUČA. Kontaminovaný prach je príliš ťažké kontrolovať a môže spôsobiť otravu olovom.

Keď brúsíte farbu:

- a)Chráňte svoje pľúca. Používajte ochrannú masku alebo respirátor
- b)Zabráňte prístupu detí a tehotných žien do priestoru, kde sa brúsi, kým nedokončíte brúsenie a neupracete prach
- c)Nejedzte, nepite ani nefajčite v priestore, kde brúsíte povrchy natreté farbou
- d)Ak je to možné, použite odsávací systém. Zakryte nepotrebnú pracovnú plochu. Nevynášajte prach mimo pracovný priestor
- e)Dôkladne očistite pracovný priestor, keď dokončíte brúsenie farby

Popis dielov

1. Gombík behu pásu
2. Páčka uvoľnenia pásu
3. Zarážka materiálu
4. Zámok vretiená
5. Krídlová matica zarážky materiálu
6. Pevná doska
7. Uloženie vložiek dosky
8. Gombík nastavenia uhla dosky
9. Mierka uhla dosky
10. Zarážky uhla dosky
11. Otvory pre prichytenie ku stolu
12. Vypínač
13. Spínač
14. Uloženie podložiek
15. Uloženie valca
16. Sklopná doska
17. Pásová brúska
18. Port pre odsávanie prachu
19. Gombík nastavenia uhla dosky
20. Uloženie vložiek dosky
21. Uloženie kľúča
22. Zadný úložný priestor
23. Jednotka brúsneho pásu
24. Brúsny pás
25. Brúsne objímky (5 veľkostí)

26. Vložky do dosky (5 veľkostí)
27. Matica vretiená
28. Podložka vretiená (3 veľkosti)
29. Vložka dosky
30. Kľúč
31. Brúsne valce (4 veľkosti)
32. Vretieno
33. Gombík vretiená

Odporúčané použitie

Elektrické brúsne náradie pre pripojenie k pracovnému stolu, ku ktorému môžete upevniť buď rotujúcu a výškovo oscilujúcu brúsnu hlavu alebo jednotku s brúsnyim pásom. Vhodné pre brúsenie zakrivených aj rovinných povrchov na malých i väčších materiáloch. Sklopná predná časť dosky umožňuje opracovávanie hrán, napr. zrážanie.

Vybalenie vášho náradia

- Náradie opatrne vybalte a skontrolujte. Oboznámte sa so všetkými jeho vlastnosťami a funkciami.
- Uistite sa, že v balení boli všetky diely a že sú v poriadku. Pokiaľ by niektorý diel chýbal alebo bol poškodený, nechajte si tento diel vymeniť pred tým, než s náradím začnete pracovať.

Pred použitím

VAROVANIE: Uistite sa, že nástroj je vypojený z elektrickej siete, keď pripievňujete prístupnosť, alebo robíte iné úpravy.

Pripevnenie k stolu

Ak budete vretienovú brúsku používať trvale na jednom mieste, je vhodné ju pripievať k stabilnej a masívnej pracovnej ploche.

- Využite otvory v základni (11) pre vyznačenie a vyvrtanie dier, napríklad na pracovnom stole. Zaisťte brúsku použitím veľkých skrutiek, podložiek a matic (nie je súčasťou balenia), obr. I
- Ak plánujete brúsku využívať na viacerých miestach, pripievňte k základni brúsky dosku, ktorú môžete ľahko svorkami prichytiť k rôznym povrchom a znova uvoľniť
- Ak použijete skrutky, uistite sa, že sú dostatočne dlhé na to, aby prešli pracovným stolom alebo doskou, a matice bolo možné dostatočne utiahnuť

Poznámka: Použite nylonc matice alebo pružinové podložky, aby vibráciami nedošlo k uvoľneniu matíc.

Poznámka: Nikdy nepoužívajte skrutky pre prichytenie brúsky, ktoré je potrebné skrutkovať silou - mohlo by dôjsť k prasknutiu plastového tela náradia, ak by sa matice utiahli príliš.

Odsávanie prachu

Odporúčame, aby ste vretienovú brúsku používali s nainštalovaným systémom pre odsávanie prachu pre čistejšie a bezpečnejšie pracovné prostredie.

1. Pripievnte hadicu systému pre odsávanie prachu k portu (18) a uistite sa, že je pevne prichytená
2. Aby ste dosiahli najvyššiu účinnosť odsávania, zapnite odsávanie pred spustením

Režim pásové brúsky

1. Najskôr je potrebné odstrániť súčasti oscilačné vretienové brúsky - odskrutkujte maticu vretiená (27) pomocou kľúča (30) a odstráňte podložku vretiená (28), brúsny valec (31), vložku do dosky (26) a vložku dosky (29)
2. Súčasti vretienové brúsky uložte do priestoru v tele náradia - je k dispozícii priestor pre uloženie podložiek (14), valcov (15), vložiek dosky (7 a 20) a zadný úložný priestor (22)
3. Upevnite jednotku brúsneho pásu (23) do priestoru v pevnej doske (6), ako je vyobrazené, a pomocou gombíka vretiená (33) jednotku zaisťte
4. Ak to práca vyžaduje, pripievňte zarážku materiálu (3) pomocou krídlovej matice zarážky materiálu (5)
5. Ak nie je k jednotke prichytený brúsny pás (24), pohybujte páčkou uvoľnenia pásu (2) smerom ku gombíku vretiená, aby ste mohli upevniť pás. Tento mechanizmus je napínaný pružinou s určitou mierou napätia, takže je potrebné pohyb kontrolovať, aby nedošlo k poškodeniu
6. Nasadte pás - tak, aby bol rovno, v správnej výške na prednej časti jednotky brúsneho pásu - uistite sa, že orientácia brúsneho pásu je správna (obr. A) a zodpovedá smere šípky
7. Páčku uvoľnenia pásu vráťte späť ku gombíku behu pásu (1), aby ste pás zaisťli v polohe
8. Náradie pripojte do elektrickej siete a zapnite - pritom ale sledujte, či je pás v správnej polohe. Ak sa pás pohybuje smerom nahor alebo nadol, brúsku okamžite vypnite

Nastavenie polohy pásu

Nastavte polohu pásu pomocou gombíka behu pásu. Ak sa pás len málo vychýli z nastavenej pozície, pomocou gombíka behu pásu urobte malú úpravu polohy. Ak sa pás po každom použití vychýli o väčší kus, použite najprv páčku pre uvoľnenie pásu, aby ste nastavili správnu výšku pásu, než použijete gombík behu pásu pre úpravu polohy.

- Pre zvýšenie výšky pásu otočte gombík behu pásu v smere hodinových ručičiek. Pre zníženie výšky pásu gombík otočte proti smeru hodinových ručičiek
- V rámci nastavení gombíka behu pásu je rozmedzie nastavenie, kedy pás beží v správnej polohe. Vždy sa snažte túto polohu nájsť, aby pás bežal v správnej polohe aj pod záťažou

Poznámka: Ak sa pás bude drieť o zníženie v povrchu pevnej dosky, pás sa zničí. Je vhodnejšie nastaviť beh pásu tak, aby pás pri pohybe pomaly mieril hore ako dole, pretože tak nedôjde k poškodeniu okraja pásu. Urobte veľké nastavenia polohy pásu smerom nahor tým, že gombík otočíte v smere hodinových ručičiek, a potom po menších krokoch uberajte výšku otáčaním proti smeru hodinových ručičiek.

Režim vretenové brúsky

Výber správnej zrnitosti brúsne objímky

- Brúsne objímky sú k dispozícii v rôznych stupňoch: hrubá (zrnitosť 80), stredná (zrnitosť 150) a jemná (zrnitosť 240)
- Hrubú zrnitosť použite pre zbrúsenie hrubého povrchu; strednú pre zjemnenie povrchu a jemnú pre dokončenie
- Vždy používajte iba kvalitné brúsne objímky, aby ste získali perfektné výsledky
- Odporúčame, aby ste si na kúsok dreva najskôr vyskúšali, či ste zvolili správnu zrnitosť. Pokiaľ po brúsení stále vidíte na materiáli značky, použite hrubšiu zrnitosť, aby ste značky zbrúšili a potom použite znovja jemnejšiu zrnitosť. Alebo použite novú brúsnu objímku, aby ste odstránili značky a potom použite jemnejšiu zrnitosť pre dokončenie práce

Prípevnenie brúsne objímky

1. Odskrutkovaním a odstránením gombíka vretena (33) vyberte pásovú brúsku (17) z pevnej dosky (6). Brúsku uložte v zadnom uložnom priestore (22)
2. Vyberte zodpovedajúce súčasti pomocou tabuľky vložiek do dosky
3. Nasadte súčasti tak, ako je uvedené na obrázku (obr. G)
4. Utiahnite maticu vretena (27) pomocou kľúča (30), aby ste zaistili brúsne objímky proti sklznutiu; neuhňajte príliš
5. Ak je to pre prácu potreba, nasadte záračku materiálu (3) pomocou krídlové matice záračky materiálu

Poznámka: Odporúčame použitie matice vretena (27). Pokiaľ ale často používate pásovú aj oscilačný režim, môžete použiť gombík vretena (33) pre dostatočné stlačenie brúsne objímky. Záleží však na tvare brúsne objímky a valca.

DÔLEŽITÉ: Použite nižšie uvedenú tabuľku, aby ste vybrali správnu veľkosť vložiek do dosky a brúsnych valcov pre použitie s brúsnou objímkou.

Tabuľka vložiek do dosky

Brúsna objímka (25)	Brúsna valec (31)	Vložka do dosky (26)	Podložka vretena (28)
13 mm	-	13mm	Malá
19 mm	Malý	19mm	Stredná
26 mm	Stredný	26mm	Stredná
38 mm	Veľký	38mm	Stredná
51 mm	Najväčší	51mm	Veľká

Poznámky

- Všetky brúsne objímky (25), s výnimkou najmenej 13 mm (1/2"), sa nasadzujú na zodpovedajúci brúsny valec (31)
- V prípade opotrebenia brúsne objímky je možné ju otočiť (spodná časť brúsne objímky bude hore) a využiť tak aj zostávajúcu časť brúsne objímky
- Ak sa brúsna objímka na kovovom valci pri spustení pretáča, matice vretena nebola dostatočne utiahnutá - gumový valec nie je stlačený a preto nezvierá objímku
- Skôr ako náradie zapnete, skontrolujte, že sa brúsna objímka nedotýka vložky do novej dosky

DÔLEŽITÉ: Nepoužívajte opotrebované brúsne objímky. Môže dôjsť k prehriatiu a teplo môže zničiť gumový valec. Gumové valce poškodené kvôli opotrebovaným brúsny pásom nie sú súčasťou záruky.

DÔLEŽITÉ: Pokiaľ nepoužijete správnu veľkosť vložky do dosky (26) s odpovedajúcou brúsnou objímkou, môžete si priškripiť ruky alebo môže dôjsť k viahnutiu materiálu medzi vložkou do dosky a brúsnou objímkou.

Brúsna objímka by mala pohodlne zapadnúť do výrezu v strede vložky do dosky.

Naklonenie dosky

Sklopnú dosku (16) je možné nakloniť až na 45°. Vďaka tomu môžete ľahko zrážať a opracovávať hrany

1. Povoľte dva gombíky nastavenie uhlu dosky (8 a 19) na oboch stranách dosky
2. Dosku nastavte do požadovaného uhla pomocou mierky uhla dosky (9). Záračky uhla dosky (10) sú v bežne používaných uhlach (0°, 15°, 22,5°, 30° a 45°)
3. Gombíky nastavenie uhla dosky zaistíte, aby ste dosku zaistili v požadovanej polohe

Pokyny pre použitie

VAROVANIE: VŽDY noste vhodné ochranné okuliare, chrániče sluchu, respirátory a ochranné rukavice, keď pracujete s týmto náradím.

VAROVANIE: SKONTROLUJTE, že oblečenie a rukavice, ktoré pri práci s brúskou používate, sa neštípujú alebo nepárajú. Mohlo by totiž dôjsť k zachyteniu látky rotujúcim vretenom, čo môže spôsobiť závažné poranenie. Odporúčame, aby ste nosili rukavice, ktoré nie sú vyrobené z látky.

Zapnutie a vypnutie

Poznámka: Predtým, než náradie spustíte, skontrolujte, že sa brúsna objímka nedotýka vložky do dosky alebo brúsneho pásu a povrchu dosky

- Pre zapnutie brúsky stlačte spínač (13) umiestnený na prednej strane brúsky
- Pre vypnutie brúsky stlačte vypínač (12)

Brúsenie

VAROVANIE: S touto brúskou nebrúste kovové materiály. Brúsenie kovov spôsobí iskry, ktoré môžu zapáliť drevený prach a prachové častice v/na brúsnej i pracovnej ploche

POZNÁMKA: Vreteno i pás rotuje proti smeru hodinových ručičiek

1. Skontrolujte, že brúska je bezpečne pripravená k pracovnej ploche
 2. Uistite sa, že nosíte všetky ochranné pomôcky vrátane masky a ochranných okuliarov. Zapnite systém pre odsávanie prachu (ak je k dispozícii)
 3. Zapnite brúsku a počkajte, než sa motor naplno rozbehne
- VAROVANIE:** Postupne prísušajte materiál, PROTÍ smeru rotácie, k brúsne objímke. Inak rotačná sila brúsne objímky bude mať tendenciu vyhodit' alebo odraziť materiál mimo brúsnu objímku. Materiál netlačte ani nevyvíjajte prílišný tlak.
4. Ak je to možné, použite záračku materiálu (3)
 5. Po dokončení práce náradie vypnite a odpojte z elektrickej siete

Príslušenstvo

- Sortiment príslušenstva a spotrebného materiálu, vrátane náhradných brúsnych objímok a pásov, je k dispozícii u vášho predajcu Triton. Náhradné diely si môžete zakúpiť na www.toolsparesonline.com

Údržba

VAROVANIE: Skontrolujte, že náradie je odpojené zo siete, než na ňom budete vykonávať úpravy nastavenia alebo údržbu.

- Akékoľvek poškodenie tohto náradia by malo byť opravené a preverené vyškoleným technikom pred použitím
- Uistite sa, že vyškolený technik používa iba identické náhradné diely. Tým sa zabezpečí, že náradie bude bezpečné pre ďalšie použitie

Bežná kontrola

Pravidelne kontrolujte, že všetky skrutky sú pevne priťahnuté. Pôsobením času a vibrácií sa môžu uvoľniť

Údržba prívodného kábla

Pokiaľ je treba prívodný kábel vymeniť, musí to vykonať výrobca, zástupca výrobcu alebo certifikované servisné stredisko, aby sa predišlo bezpečnostnému riziku.

Čistenie

1. Pravidelne odstraňujte prach a špinu. Často vyfúkajte alebo vysávajte prach z dielov brúsky a z krytu motora
 2. Pravidelne vyberajte dosku a dolnej podložku z vretena a odstráňte prach, ktorý sa nazhromaždí v tomto priestore.
 3. Premazávajte všetky pohyblivé diely v pravidelných intervaloch.
 4. Nikdy nepoužívajte leptavé látky pre očistenie plastových povrchov.
- Nikdy nepoužívajte leptavé látky pre očistenie plastových povrchov. Použite navrhnutú handričku s čistiacim prostriedkom pre očistenie náradia. Voda nikdy nesmie prísť do kontaktu s náradím

Výmena uhlíkov

- Priebehom času dochádza k opotrebeniu uhlíkov v motore
 - Výrazne opotrebované uhlíky môžu spôsobiť stratu výkonu, zlyhanie náradia ale viditeľné iskrenie
 - Pre výmenu uhlíkov:
1. Položte brúsku opatrne na bok a odstráňte skrutky, ktoré držia spodný kryt, aby ste sa dostali k motoru
 2. Ak je vnútri nahromadený prach alebo triesky, opatrne ich odstráňte
 3. Odskrutkujte 2 skrutky, ktoré zaisťujú kryt uhlíka (viď. šípka na obr. E) a kryt odstráňte
 4. Opatrne odstráňte komponenty uhlíka (obr. F)
 5. Z komponent uhlíka odstráňte drôt a uhlík odstráňte
 6. Nasadte nový uhlík a pripojte späť drôt
 7. Komponent uhlíka znovu nasadte, uistite sa, že menší výčnelok je správne umiestnený (šípka na obr. F)
 8. Nasadte kryt uhlíka a utiahnite skrutky
 9. Zopakujte kroky 3-8 s druhým komponentom uhlíka. Je dôležité, aby ste uhlíky vymieňali vždy v páre
 10. Nasadte kryt základne a zaistite ju skrutkami
- Je tiež možné si uhlíky nechať vymeniť v certifikovanom servisnom stredisku

Kontakt

Pre technickú podporu alebo opravu kontaktujte linku pomoci (+44) 1935 382 222

Web: tritontools.com/en-GB/Support

Adresa:
Powerbox
Boundary Way
Lufton Trading Estate
Yeovil, Somerset
BA22 8HZ, Veľká Británie

Skladovanie

- Toto elektronáradie skladujte na zabezpečenom suchom mieste mimo dosah detí. Pokiaľ je náradie trvalo zostavené na použitie v dielni alebo garáži, uistite sa, že k nemu deti nemajú voľný prístup.

Likvidácia

Elektronáradie, ktoré už nefunguje a nie je možné ho opraviť, zlikvidujte v súlade s legislatívou danej krajiny.

- Nevyhadzujte elektronáradie a elektroodpad do domového odpadu.
- V prípade otázok kontaktujte príslušný úrad.

Riešenie problémov

Problém	Možná príčina	Riešenie
Náradie nefunguje, keď sa spustí spínačom	Do náradia nejde elektrický prúd	Skontrolujte dodávku elektrického prúdu
	Chybný spínač	Nechajte si vymeniť spínač v certifikovanom servisnom stredisku Triton
Brúсна objímka (25) sa na brúsnom valci (31) neotáča	Matica vretena (27) nie je dostatočne utiahnutá	Maticu vretena postupne utiahujte, kým brúsný valec nebude objímku pevne zvierat
Brúsný pás mení výšku pri použití	Nesprávne nastavenie behu pásu	Viď. "Nastavenie polohy pásu"
Vzniká veľa prachu	Zablokovaný výfuk triesok	Odpojte náradie zo siete. Odstráňte súčasti vretenového brúsny alebo jednotku pásové brúsky a odstráňte prichytené triesky
	Nesprávna veľkosť vložky do dosky	Zvoľte správnu veľkosť vložky do dosky
Brúsný valec nejde na plnú rýchlosť alebo motor vydáva neobvyklé zvuky	Motor sa prehrieva	Náradie vypnite a nechajte ho pol hodiny vychladnúť
	Motor je chybný	Kontaktujte certifikované servisné stredisko Triton
	Je potrebné vymeniť uhlíky	Viď. "Výmena uhlíkov"
	Remeň motora je opotrebovaný	Kontaktujte certifikované servisné stredisko Triton

Záruka

Na registráciu záruky navštívte naše webové stránky www.tritontools.com a zadajte informácie o výrobku. Vaše údaje budú uložené (pokiaľ túto možnosť nezakážete) a budú vám zasielané novinky. Vaše údaje nebudú poskytnuté žiadnej tretej strane.

Záznam o nákupe

Dátum obstarania: ___/___/___

Model: TSPST450

Doklad o kúpe uschovajte ako potvrdenie o zakúpení výrobku.

CE Prehlásenie o zhode

Dolu podpísaný: p. Darrell Morris

splnomocnený: Triton

prehlasuje, že: Toto vyhlásenie bolo vydané na výhradnú zodpovednosť výrobcu. Predmet tohto vyhlásenia je v súlade s príslušnou harmonizačnou legislatívou Únie.

Výrobok číslo: TSPST450

Popis: 450W Oscilačná vretenová a pásová brúska

Bol uvedený na trh v súlade so základnými požiadavkami a príslušnými ustanoveniami nasledujúcich smerníc:

- Smernica o bezpečnosti strojných zariadení 2006/42/EC
- Smernica o technických požiadavkách na výrobky z hľadiska ich elektromagnetickej kompatibility 2014/30/EC
- Smernica RoHS 2011/65/EU
- EN 61029-1:2009+A11:2010
- EN ISO 12100:2010
- EN 55014-1:2006+A2:2011
- EN 55014-2:1997+A2:2008
- EN 61000-3-2:2014
- EN 61000-3-3:2013

Pokiaľ sa během 3-ročnej doby od nákupu objaví porucha výrobku spoločnosti Triton Precision Power Tools, ktorá bola spôsobená chybou materiálu alebo chybným spracovaním, Triton opraví alebo vymení chybný diel zadarmo.

Tato záruka sa nevzťahuje na výrobky, ktoré budú používané na komerčné účely, a ďalej na poškodenie, ktoré je spôsobené neodborným použitím alebo mechanickým poškodením výrobku.

* Registrujte sa během 30 dní od nákupu. Zmena podmienok vyhradená. Týmto podmienkami nie sú dotknuté vaše zákonné práva. es

Notifikovaná osoba: TÜV SÜD

Technická dokumentácia je uložená u: Triton

Dátum: 22/10/2018

Podpis:



Mr Darrell Morris

Výkonný riaditeľ

Meno a adresa výrobcu:

Powerbox International Limited, Company No. 06897059. Registrovaná adresa: Powerbox, Boundary Way, Lufton Trading Estate, Yeovil, Somerset BA22 8HZ, United Kingdom.

Orijinal talimatların çevirisi

Tanıtım

Bu Triton el aletini satın aldığınız için teşekkür ederiz. Bu kılavuz, bu ürünün güvenli ve etkili bir şekilde kullanılmasına yönelik bilgiler içerir. Bu ürünün eşsiz özellikleri vardır ve benzer ürünler hakkında bilgi sahibi olsanız bil, bu kılavuzu okumanız talimatı anlamamak için şarttır. Tüm kullanıcıların bu kılavuzu okuduğundan ve tamamen anladığından emin olun.

Sembollerin açıklaması

Aletinizin üzerindeki levha sembollerini gösterebilir. Bunlar ürün veya kullanımı ile ilgili talimatlar hakkında önemli bilgiler verir.



İşitme koruyucu kullanın
Göz koruyucu kullanın
Soluma koruyucu kullanın
Baş koruyucu kullanın



Eİ koruyucu kullanın



Kullanım talimatını okuyun



DİKKAT:



Yalnız iç mekân kullanımı için!



Toksik dumanlar ve gazlar!



Ayar yaparken, aksesuarları değiştirirken, temizlerken, bakım yaparken ve kullanımı dışından olduğu zaman daima güç kaynağından ayırın!



Toz çekme gereklidir veya önerilir



Sınıf II yapı (ilave koruma için çift izolasyonlu)



Çevre Koruması Atık elektrikli ürünler evsel atıklar ile birlikte atılmamalıdır. Tesis bulunan yerlerde geri dönüştürün. Geri dönüştürme tavsiyesi almak için yerel makamlar veya satıcı ile görüşün.



İlgili yönetmeliklere ve güvenlik standartlarına uygundur.

Teknik Kısaltmalar ve Simgeler Anahtarı

V	volt
Hz	hertz
~, AC	Alternatif akım
≡, DC	Doğrudan akım
n ₀	Yüksüz hız
A, mA	Amper, mili-Amp
W, kW	Watt, kilowatt
/dak veya dak ⁻¹	Dakikada işlem sayısı
salınım/dak	dakika başına yörüngede gezinti veya salınım
spm	Dakikada işlem sayısı
°	Derece
dB(A)	Desibel ses seviyesi (A ağırlıklı)
Ø	Çap
m/s ²	saniye karede metre (titreşim büyüklüğü)

Teknik Özellikler

Model no:	TSPST450
Voltaaj:	230 V~ 50 Hz
Güç:	450 W
Yüksüz hız	(Silindir): 2000 dev/dak (bantlı): 480 dev/dak
Salınımlar:	58 (salınım/dak)
Vuruş uzunluğu	16 mm
Zımpara kovani boyutları:	13, 19, 26, 38, 51 mm çap
Bant boyutları:	100 x 610 mm
Toz kanalı (dış çap) :	38 mm
Tabla boyutu (U x G):	430 x 410mm
Yatar/Kalkar Tabla Boyu (U x G):	220 x 410 mm
Tabla Eğimi:	0-45°
Tabla Eğim Çentikleri:	0°, 15°, 22.5°, 30° ve 45°
Silindir boyutları:	12,7 mm x 1,5 mm
Koruma sınıfı:	□
Sızıntı koruması:	IP20
Boyutlar (U x G x Y):	390 x 330 x 450 mm
Ağırlık:	12,9 kg
Kesintisiz ürün geliştirmemizin bir parçası olarak, Triton ürünlerinin teknik özellikler önceden bildirilmeden değişebilir.	

Ses ve titreşim bilgisi

Ses basıncı L _{pA} :	76 dB(A)
Ses gücü L _{WA} :	89 dB(A)
Belirsizlik K:	3 dB
Operatör ses yoğunluk seviyesi 85 dB(A)'dan yükseltir ve seston korunma önlemleri zorunludur.	

UYARI: Ses düzeyinin 85dB(A) değerini geçtiği yerlerde daima kulak koruyucu kullanın ve gerekirse maruz kalma süresini sınırlandırın. Kulak koruması kullanılacağı zaman bile ses düzeyleri rahatsız edici ise el aletini kullanmayı hemen bırakın ve kulak korumasının doğru takılıp takılmadığını ve el aletinin ürettiği ses düzeyi için doğru miktarda ses zayıflatması sağlayıp sağlamadığını kontrol edin.

UYARI: Kullanıcının el aletinin titreşimine maruz kalması dokunma duyusunun kaybolmasına, uyuşmaya, karıncaklanmaya ve tutma yeteneğinin azalmasına yol açabilir. Uzun süre maruz kalınması kronik bir duruma yol açabilir. Gerektiği takdirde, titreşime maruz kalma süresini sınırlandırın ve titreşim önleyici eldiven kullanın. Titreşim tarafından daha çok etkilenenler için ellerinizi sıcaklığı normal rahat bir sıcaklığın altında tuttuğunuz zaman el aleti kullanmayın. Spesifikasyonda titreşim ile ilgili olarak verilmiş değerleri kullanarak el aletini çalıştırma süresini ve sıklığını hesaplayın.

Spesifikasyondaki ses ve titreşim düzeyleri EN60745 veya benzer uluslararası standartlara göre belirlenmiştir. Verilen değerler el aletinin normal çalışma koşullarında normal kullanımını temsil etmektedir. İyi bakım yapılmayın, yanlış monte edilmiş veya kötü kullanılan bir el aleti yüksek seviyelere götürülür ve titreşim üretilebilir. www.osha.europa.eu adresinde, konuların içinde uzun süreler boyunca el aletleri kullanan kişiler için yararlı olabilecek, iş yerindeki ses ve titreşim seviyeleri hakkında bilgi bulunmaktadır.

Genel Güvenlik Elektrikli Alet Uyarıları

UYARI: Bu aletle birlikte sağlanan tüm güvenlik uyarılarını, talimatları, çizimleri ve özellikleri okuyun. Aşağıda listelenmiş uyarıların ve talimatların tamamına uyulmaması elektrik çarpmasına, yangına ve/veya ağır yaralanmaya yol açabilir.

Tüm uyarıları ve talimatları ilerde kullanabilmek için saklayınız.

Uyarılardaki "elektrikli el aleti" terimi elektik şebekesinden çalışan (kablolu) elektrikli el aleti veya batarya ile çalışan (kablesiz) elektrikli el aletini anlamına gelmektedir.

- 1) Çalışma alanının güvenliği**
 - 1) Çalışma alanını temiz ve iyice aydınlatılmış halde tutun** Dağınık veya karanlık yerler kazaları davet eder.
 - El aletlerini yanıcı sıvılar, gazlar veya toz içeren ortamlar gibi patlayıcı atmosferlerde çalıştırmayın Elektrikli el aletleri tozu ve dumanları tutuşturabilecek kıvılcımlar çıkarır.
 - Elektrikli aletleri çalıştırırken çocukları ve izleyicileri uzaktaki tutun** Dikkati dağıtan şeyler kontrolü kaybetmenize neden olabilir.
- 2) Elektrik güvenliği**
 - Elektrikli el aletlerinin fişleri prize uygun olmalıdır.** Fişli asla hiçbir şekilde değişikliğe uğratmayın Topraklanmış (topraklı) elektrikli el aletleri ile hiçbir adaptör fiş kullanmayın. Değişikliğe uğratılmamış fişler ve fişe uygun prizler elektrik çarpması riskini azaltır.
 - Borular, radyatörler, fırınlar ve buzdolapları gibi topraklanmış veya topraklı yüzeylere vücut ile temas etmemek kaçının.** Vücutunuz topraklandığı zaman elektrik çarpması riski artar.
 - Elektrikli el aletlerini yağmura veya ıslak koşullara açık bırakmayın.** Elektrikli el aletine su girmesi elektrik çarpması riskini artırır.
 - Kablolu yanlış şekilde kullanmayın.** Elektrikli el aletini taşımak, fişi takmak veya çıkarmak için asla kablolu kullanmayın. Kablolu ısı, yağ, keskin kenarlar veya hareketli parçalarından uzak tutun. Hasar gören veya düşümlenen kablolar elektrik çarpması riskini artırır.
 - Elektrikli bir el aletini dış mekânda kullanırken dış mekânda kullanmaya uygun bir uzatma kablosu kullanın.** Dış mekânda kullanıma uygun bir kablo kullanmak elektrik çarpması riskini azaltır.
- 3) Elektrikli bir el aletini nemli bir yerde kullanmak zorunlu ise bir kaçak akım cihazı (RCD) ile korunan bir kaynak kullanın.** RCD kullanmak elektrik çarpması riskini azaltır.
- 3) Personel Güvenliği**
 - Elektrikli aletleri çalıştırırken tetikte olun, yaptığınız şeyi dikkat edin ve sağduyunuza kullanın.** Yorgun veya ilaçlı, alkolü veya bir tedavinin etkisinde olduğunuz zaman elektrikli alet kullanmayın Elektrikli alet kullanırken bir anlık dikkatsizlik ağır yaralanmaya yol açabilir.
 - Kişisel koruyucu donanım kullanın.** Her zaman göz koruyucu kullanın

- Gereken koşullar için kullanılan toz maskesi, kaymaz güvenlik pabuçu, baret veya işitme koruyucu gibi koruyucu donanım kişisel yaralanmaları azaltır.
- 2) İstenmeden çalıştırmayı önleyin.** Güç kaynağına ve/veya batarya grubuna bağlanmadan önce veya el aletini toplayıp taşımadan önce düğmenin KAPALI olduğunu kontrol edin. Elektrikli el aletlerini parmağınızın düğmenin üzerinde olacak şekilde taşımak veya anahtar AÇIK iken elektrikli el aletlerine enerji vermek kazaları davet eder.
 - Elektrikli el aletini AÇMADAN önce tüm ayarları anahtarları veya kollarını çıkarın.** El aletinin dönen bir kısmına takılı olarak bırakılan bir anahtar veya kol yaralanmaya neden olabilir.
 - Çok fazla ıleriye uzatmayın.** Desteğinizi ve dengeni daima uygun şekilde koruyun. Bu, beklemeden durumlarda aletin daha iyi kontrol edilmesini sağlar.
 - Uygun giyinin.** Gevşek giysiler veya takı kullanmayın. Saçınızı ve giysinizi hareketli parçalarından uzak tutun. Hareketli parçalar, gevşek giysileri, takıları veya uzun saçı yakalayabilir.
 - Toz uzaklaştırma ve toplama olanaklarına bağlı olarak yapmak için cihazlar gerekir işe bunları bağlayıp gereken şekilde kullanmaya dikkat edin.** Toz toplama olanğının kullanılmasını toz ile ilgili tehlikeleri azaltabilir.
 - Aletlerin sık kullanımından edinen aşinalığı, rahat davranmanıza ve alet düğmeleri kurallarını gözardı etmenize neden olmasına izin vermemeyin.** Dikkatsiz bir hareket, çok kısa sürede ciddi yaralanmalara neden olabilir.
 - Elektrikli el aletinin kullanımı ve bakımı**
 - Elektrikli el aletini zorlamayın.** İşiniz için doğru elektrikli el aletini kullanın. Doğru elektrikli el aleti bir işi daha iyi ve daha güvenli şekilde ve gerçekleştirilmek için tasarlanmıştır hızla yapar.
 - Düğme elektrikli el aletini AÇIP KAPATMIYORSA alet kullanmayın.** Düğme ile kontrol edilemeyen bir elektrikli el aleti tehlikelidir ve tamir edilmelidir.
 - Elektrikli el aletlerinde ayar yapmadan, aksesuarları değiştirmeden veya saklamadan önce aletin fişini güç kaynağından çekin ve/veya çıkartılabiliyorsa batarya paketini çıkarın.** Bu gibi önleyici güvenlik önlemleri elektrikli el aletinin kazara çalıştırılması riskini azaltır.
 - Kullanılmayan elektrikli el aletlerini çocukların ulaşamayacağı bir yerde saklayın ve elektrikli el aletini veya bu talimatları iyice bilmeyen kişilerin aleti kullanmasına izin vermemeyin.** Elektrikli el aletleri eğitim almamış kullanıcıların elinde tehlikeli olur.
 - Elektrikli el aletlerinin ve aksesuarlarının bakımını yapın.** Hareketli kısımlarda hızla kaçıklığı veya sıkışma, parçaların kırılma ve el aletinin çalışmasını etkileyebilecek başka bir durum oluşmadığı kontrol edin. El aleti hasar görmüş ise kullanılmadan önce tamir ettirin. Kazaların birçoğuna iyi bakım yapılmayan el aletleri neden olmaktadır.
 - Kesici aletleri keskin ve temiz bulundurun.** Kesici kenarları keskin olan iyi bakım gören kesici aletlerin sıkışma olasılığı daha azdır ve daha kolay kontrol edilir.
 - El aletinin aksesuarlarını ve alet uçlarını vb., çalışma koşullarına ve yapılacak işi dikkate alarak bu talimatlara göre kullanın.** El aletinin amaçlanan işlemler dışındaki işler için kullanılması tehlikeli durumlara yol açabilir.
 - Tutamakları ve kavrama yüzeylerini, temiz, yağdan ve gresten arındırılmış tutun.** Kaygan tutamaklar ve kavrama yüzeyleri, beklemedik durumlarda aletin güvenli bir şekilde kullanılmasını ve kavranmasını engeller.
 - 5) Servis**
 - El aletinize yalnızca tamamen aynı yedek parçalar kullanılarak ehliyeti bir teknisyen tarafından servis yapılmasını sağlayın.** Bu, el aletinin güvenliğini sürdürdüğünü sağlar

Salımlı Silindire ve Bantlı Zımpara Güvenliği

UYARI:

- Elektrikli el aletini yalnızca yalıtımlı tutamaklardan veya kavrama yüzeylerinden tutun, çünkü zımpara bandı/levhası kendi kablosuyla temas edebilir. "Akım olan" bir kablolu kesmecek, elektrikli aletin açtığı metal parçalarına da "akım" iletebilir ve operatöre elektrik çarparabilir
- Elektrikli el aletinin daima 30 mA veya daha düşük nominal artı akımlı bir artı akım cihazı ile kullanılmasını tavsiye edilir.
- Elektrik kablosunun değiştirilmesi gerektiği takdirde güvenlik tehlikesi oluşmaması için bunun üretici veya temsilcisi tarafından yapılması gerekir.

Bu kılavuzda yer alan uyarılar, önlemler ve talimatlar, ortaya çıkabilecek tüm olası koşulları ve durumları kapsayamaz. Operatör, sağduyunu ve dikkatini bu ürüne dâhil edilemeyecek ancak operatör tarafından sağlanacak faktörler olduğunu anlamalıdır.

Tam olarak monte edilene, aşağıdaki talimatları ve silindire zımpara üzerinde yer alan uyarı etiketlerini okuyup anlayana kadar salımlı silindire çalıştırılmayın.

TR

- a) **Zımparanın durumunu kontrol edin.** Herhangi bir parça eksikse, bükülmüşse veya düzgün çalışmıyorsa, zımparayı kullanmadan önce parçayı değiştirin.
- b) **Zımparayı çalıştırmadan önce ne tür bir iş yapacağınızı belirleyin.** İşinizi sabitleyin. İş parçasını tablada güvenli bir şekilde destekleyin ve her iki elinizle de tutun.
- c) **Besleme yönüne dikkat edin.** İş parçasını, zımparalama kovanının veya bandının dönüş yönüne karşı zımparalama kovanının içine besleyin.
- e) **Elinizi her zaman zımparanın yolunun dışında ve zımparalama kovanlarının veya bantlarının uzağında tutun.** Elinizi, akları bir kaymanın elinizin silindire veya banda doğru gitmesine neden olabileceği pozisyonlarda tutmayın. Silindir dönerken iş parçasının altına veya zımparalama kovanının veya bandının etrafına uzanmayın.
- f) **Güç düğmesini kapatıktan sonra zımparanın bağlantısını kesin.** Bakım yapmadan önce silindirin dönmemesinin durmasını bekleyin. Zımpara kullanılmadığında veya boğaz plakaları, zımparalama kovanları, zımparalama bantları veya başka elemanlar değiştirilirken kapalı olmalıdır.
- g) **Zımparalanacak iş parçasının etrafında çivi veya başka yabancı maddeler olmadığının emin olun.**
- h) **Bu zımparayı asla ıslak zımparalama için kullanmayın.** Bunlara uymazsanız, elektrik çarparebilir, ciddi yaralanmalara veya daha kötü sonuçlara yol açabilir.
- i) **Bu zımparanın servis bakımını yaparken yalnızca bire bir yedek parçaları kullanın.**
- j) **İş parçasına dokunmadan önce, silindirim tamamen durduğundan emin olun.**
- k) **Boyalı yüzeyleri zımparalarken dikkatli olun.** Kurşun bazlı boyaları zımparalamanız ÖNERİLMEZ. Kontamine olmuş tozu kontrol etmek çok zordur ve kurşun zehirlenmesine neden olabilir.
- Boyaız zımparalarken:**
- a) **Akciğerlerinizi koruyun.** Bir toz maskesi veya respiratör takın.
- b) **Boya zımparalama işi bitene ve temizlik tamamlanana kadar çocukların veya hamile kadınların çalışma alanına girmesine izin vermeyin.**
- c) **Boyalı yüzeylerin zımparalanacağı alanda yemeyin, içmeyin veya sigara kullanmayın.**
- d) **Mümkünse bir toz toplama sistemi kullanın.** Çalışma alanını plastikle yalıtın. Boya tozunu çalışma alanının dışına taşımayın
- e) **Boya zımparalama projesi tamamlandığında, bölgeyi iyice temizleyin**

Ürünün Tanıtılması

1. Bant İzleme Düğmesi
2. Bant Bırakma Kolu
3. İş Parçası Durdurma Çubuğu
4. Silindir Kilidi Düğmesi
5. İş Parçası Durdurma Çubuğu Kanat Somunu
6. Sabit Tabla
7. Boğaz Plakası Saklama Yeri
8. Tabla Açısı Düğmesi
9. Tabla Açısı Ölçer
10. Tabla Açısı Çentikleri
11. Tezgâha Montaj Delikleri
12. Kapatma Anahtarları
13. Açma Anahtarları
14. Rondela Saklama Yeri
15. Tambur Saklama Yeri
16. Yatırma/Kaldırma Tablası
17. Bantlı Zımpara
18. Toz Boşaltma Kanalı
19. Tabla Açısı Düğmesi
20. Boğaz Plakası Saklama Yeri
21. Anahtar Saklama Yeri
22. Ara Saklama Yeri
23. Bantlı Zımpara Birimi
24. Zımpara Bandı
25. Zımpara Tamburları (5 boy)
26. Boğaz Plakası (5 boy)
27. Silindir Somunu
28. Silindir Rondelaları
29. Tabla Ek Parçası
30. Anahtar
31. Kovan Tamburları (4 boy)
32. Silindir
33. Silindir Topuzu

Kullanma Amacı

Dönen ve yükseklik salınım zımpara kovani takilabilen veya bir zımpara bandı ünitesi takilabilen elektrikli, tezgâha monteli zımpara makinesi. Hem büyük hem de karmaşık iş parçalarında eğimli ve düz yüzeyleri zımparalaması için. Yatır kalkan ön bölüm tablası kenar çalışmalarına, özellikle de pah vermeye imkân sağlar

El aletinin ambalajının açılması

- Yeni el aletinizi dikkatli bir şekilde kutudan çıkartın ve inceleyin. Tüm özelliklerini ve işlevlerini öğrenin
- El aletinin tüm parçalarının mevcut ve iyi konumda olduğundan emin olun. Herhangi bir parçası eksik veya hasar görmüşse, bu el aletini kullanmadan önce bu tür parçaların değiştirilmesini isteyin.

Kullanım Öncesi

⚠UYARI: Herhangi bir aksesuarı takmadan veya değiştirmeden ya herhangi bir ayar yapmadan önce el aletinin güç kaynağından çıkartıldığından emin olun

Tezgâha montaj

Silindir zımpara makinesi, sabit bir pozisyonda kullanılacaksa, sert bir çalışma yüzeyine sabitlemeniz önerilir.

- Silindir zımparanın tabanındaki, montaj yapmayı düşündüğünüz yüzeydeki (örn. çalışma tezgâhı) dört deliği işaretlemek ve delmek için bir şablon olarak kullanın (Resim A). Geniş civataları, rondelaları ve somunları (birlikte tedarik edilmez) kullanarak silindir zımparayı konumuna sabitleyin
- Silindir zımpara makinesinin daha portatif olması amaçlanıyorsa, çeşitli montaj yüzeylerine kolayca menginelelenebilecek ve çıkartılabilecek bir lehvayı tabana sabitleyin
- Civata kullanıyorsanız, güvenli bir sabitleme için çalışma tezgâhına girecek kadar uzun olduklarından emin olun

Not: Titreşim tespit parçalarını geveşetmesini önlemek için tespit parçasında naylon gömme kilit somunları veya yayılı rondelalar kullanın.

Not: Tespit parçalarının aşırı sıkıktan kaçınmanın yanı sıra, Tezgâh Montaj Deliklerinden geçirmek için kuvvet gereken civataları da kullanmayın, bunlar plastik gövdede çatlaklar oluşturabilir.

Toz boşaltma

Silindir zımparanın daha temiz ve güvenli bir çalışma ortamı için toz boşaltma sistemiyle birlikte kullanılması önerilir.

1. Hortumu toz boşaltma sisteminden Toz Boşaltma Kanalına (18) ekleyin ve güvende olduğundan emin olun
2. En iyi verimlilik için, toz boşaltma sistemini silindir zımparayı açmadan önce etkinleştirin

Bantlı Zımpara 76mm

1. Silindir zımpara bileşenlerini sökme için, Silindir Somunu (27), Anahtarları (30) kullanarak sökün ve takılı Silindir Rondelayı (28), Kovan Tamburunu (31), Boğaz Plakasını (26) ve Tabla Ek Parçasını (29) çıkartın.
2. Silindir zımpara bileşenlerini ana gövde üzerindeki dâhil depolama alanlarına yerleştirin; bunlar Rondela Saklama Yeri (14), Tambur Saklama Yeri (15), Boğaz Plakası Saklama Yeri (7 v 20) ve Arka Depolama Yeri (22).
3. Bantlı Zımpara Ünitesini (23) Sabit Tablanın (6) girintisine gösterdiği şekilde yerleştirin ve Silindir Topuzu (33) ile yerine sabitleyin.
4. Operasyon için gerekirse, İş Parçası Durdurma Çubuğunu (3) İş Parçası Durdurma Çubuğu Kanat Somununu kullanarak takın
5. Takılması Zımpara Bandı (24) yıksa Bant Bırakma Kolu (2) Silindir Topuzuna doğru hareket ettirerek bandın takılmasına imkân verin. Bu gerilim altındaki yaylı bir mekanizmadır, bu nedenle hasarı önlemek için hareketin kontrollü olduğundan emin olun.
6. Bandın doğru hizalandığından (Resim A) ve ok yönüyle aynı yönde olduğundan emin olduktan sonra Bant Zımparalama Ünitesinin ana silindirin üzerine doğru yükseklikte hizalayarak bir bant takın.
7. Bantı sabitlemek için Bant Bırakma Kolu (2) Bant İzleme Düğmesine doğru çekin (1)
8. Aleti yeniden fişe takın ve açın ama doğru olduğundan emin olmak için bandın hareketini izleyin. Bandın hareket yönü yanlışsa ve silindirde yukarı veya aşağı hareket ediyorsa hemen kapatın.

İzleme Ayarı

Bandın izlemesini Bant İzleme Dügmesini kullanarak ayarlayın. Bant ayarlanan konumundan yavaşça uzaklaşıyorsa, Bant İzleme Dügmesi kullanarak küçük ayarlamalar yapın. Her kapanışta izleme çok kötüyse, değişiklikler yapmak için Bant İzleme Dügmesini kullanmadan önce bandı doğru yüksekliğe çıkarmak amacıyla bant yüksekliğini tekrar ayarlayabileceğiniz şekilde Bant Bırakma Kolunu kullanın.

- Bandın yüksekliğini arttırmak için, Bant İzleme Dügmesini saat yönünde çevirin. Bandın yüksekliğini azaltmak için, saatin tersi yönde çevirin.
- Bant İzleme Dügmesi üzerinde bandın düzenli olarak izlediği bir ayar aralığı olabilir. Yük altında bile optimum ortalanmış izleme için bu ayar aralığının ortasını hedefleyin

Not: Yanlış izleme nedeniyle Sabit Tablanın girişindeki yüzeye sürtünürse, bant zarar görebilir. Bandın yukarı doğru hareket etmesine neden olan izlemeyi ayarlamak aşağı doğru olanı ayarlamaktan daha kolaydır, çünkü yukarı doğru hareket Zımpara Bandının kenarına zarar vermez. Bant İzleme Dügmesinde saat yönünde büyük bir ayar yapın ve sonra yüksekliği aşağı indirmek için azar azar saat yönünün tersine çevirin.

Silindir zımpara modu

Doğru zımpara kovani derecesini seçmek

- Zımpara silindirlerinin farklı dereceleri mevcuttur: kalın (80 grit), orta (150 grit) ve ince (240 grit)
- Kaba son kat zımparası için kalın grit, işi pürüzsüz hale getirmek için orta grit ve son kat için ince grit kullanın
- Son kat yapılan işlerin kalitesini en üst seviyeye çıkarmak için daima iyi kalite zımparalama silindirleri kullanın
- Belirli bir iş için en iyi zımpara silindiri derecesini belirlemek için bir parça ıskarta malzeme üzerinde deneme yapmanız önerilir. Zımparalama sonrasında işte hala izler kalmışsa, daha kalın bir derece seçmeyi ve ilk seçtiğiniz grit derecesine geçmeden önce izleri zımparalamayı deneyin veya yeni bir zımpara kağıdı parçası kullanarak daha ince bir grite geçiş için son kat işlemini yapmadan önce istenmeyen izleri yok edin.

Zımpara kovasının takılması

1. Banlı Zımparayı (17) Silindir Topuzunu (33) söküp çıkartarak ve Sabit Tabladan (6) Banlı Zımparayı kaldırarak çıkartın. Arka Saklama Yerinde (22) Saklayın
2. Boğaz plakası şemasını kullanarak doğru uyumlu parçaları seçin
3. Bileşenleri (Resim G'de) gösterildiği şekilde yükleyin<alt: (Şekil II)>
4. Zımpara silindirinin işlem sırasında kaymadığından emin olmak için silindir somununun (27) Anahtarı (30) kullanarak sıkın. Aşırı derecede sıkmayın
5. Operasyon için gerekirse, İş Parçası Durdurma Çubuğunu (3) İş Parçası Durdurma Çubuğu Kanat Somununu kullanarak takın

Not: Silindir somunu (27) kullanmanız önerilir. Ancak, banlı zımpara ile silindir zımpara modları arasında sık sık değişiklik yapıyorsanız, Zımparalama Kovasının kutacek yeterli basınç sağlaması halinde Silindir Topuzu (33) kullanılabilir. Bu kuvak ile tamburun uyumuna bağlı olacaktır.

ÖNEMLİ: Her bir Zımpara Kovanyla kullanılacak Doğru Boğaz Plakasını ve Kovan Tamburlarını belirlemek için aşağıdaki şemayı kullanın.

Boğaz plakası şeması

Zımpara Kovanı (25)	Kovan Tamburu (31)	Boğaz Plakası (26)	Silindir Rondelası (28)
13 mm	N/A	13 mm	Küçük
19 mm	Küçük	19 mm	Orta
26 mm	Orta	26 mm	Orta
38 mm	Büyük	38 mm	Orta
51 mm	Çok büyük	51 mm	Büyük

Notlar

- En küçüğü olan 13 mm (1/2") hariç tüm Zımpara Kovanı (25) uygun bir Zımpara Tamburuna (31) uyar.
- Zımparalama kovasının sadece alt kısmı aşındığında, ters çevirebilirsiniz, böylece kalan zımpara taneceklerini değerlendirerek kullanım ömrünü uzatırsınız.
- Makine açıldığında kovan tamburun üzerinde dönerse, Silindir Somunu (27) tambura bası uygulaymaya ve kovani kavramaya yetecek kadar sıkılmıştır.
- Makineyi çalıştırmadan önce Zımparalama Kovanı ile Tabla Ek Parçası arasında herhangi bir temas olmadığından emin olun.

ÖNEMLİ: Çok aşırı zımparalama kovasını kullanmayın. Bu aşırı ısınmaya neden olabilir ve kauçuk tambura zarar verebilir. Aşırı zımparalama kovaları nedeniyle zarar gören kauçuk tamburlar garanti kapsamına alınmaz.

ÖNEMLİ: Uygun zımpara kovanyla doğru Boğaz Plakasını (26) kullanmamak parmakların kısırlmasına neden olabilir veya iş parçasının Boğaz Plakası ile zımparalama kovani arasında çekilmesine neden olabilir.

Zımparalama kovani Boğaz Plakasının merkezdeki oyğunun içine rahat bir şekilde oturmalıdır.

Tablanın yatırılıp kaldırılması

Yatırma/Kaldırma Tablası (16) 45°'ye kadar eğilebilir, bu diğer kenar işlerini yanı sıra kalpa pah verme imkanı da sağlar

1. Tablanın her iki tarafındaki 2 Tabla Açısı Dügmesini (8 ve 19) gevşetin
2. Tabla Açısı Ölçer (9) kullanarak tablayı istenen açıya getirin Genel açı pozisyonlarında (0°, 15°, 22.5°, 30° ve 45°) Tabla Açısı Çentikleri (10) kilit durma çubukları bulunur.
3. Gerekli pozisyonda tablayı sabitlemek için 2 Tabla Açısı Dügmesini kilitleyin.

Çalıştırma

⚠ UYARI: Bu el aletle çalışırken, DAİMA koruyucu gözlük, yeterli havalandırma ve duyma koruması ve bu aletle çalışırken kullanılacak uygun eldivenler kullanın.

⚠ UYARI: Dönen silindire kapılabilecek ve elinizi veya başınızı dönen silindire çekerek ağır yaralanmalara neden olabilecek geniş eldivenler veya kıyafetler giymediğinizden EMİN OLUN. Kumuş olmayan eldivenleri giymeniz önerilir.

Kapatma ve Açma

Not: Makineyi çalıştırmadan önce Zımparalama Kovanı ile Boğaz Plakası veya Zımparalama Bandı ile tabla yüzeyi arasında herhangi bir temas olmadığından emin olun.

- Silindir zımparanın önünde yer alan Açma Dügmesine (13) basın
- Silindir zımparayı KAPATMAK İÇİN, Kapatma Dügmesine (12) basın.

Zımparalama

UYARI: Bu zımpara ile metal zımparalamayın. Metal zımparalamak, tahtanın ve atölyedeki ya da zımpara üzerindeki toz partiküllerinin alev almasına neden olabilecek kısıtlımlara neden olur

Not: Silindir ve bant saat yönünün tersine hareket eder

1. Makinenin çalışma tezgâhına sağlam bir şekilde monte edildiğini kontrol edin and the Lock Nut (6) is fastened correctly with appropriate sanding sleeve and table insert, in accordance with guidance in 'Assembly'
2. maskesi ve koruyucu gözlükler de dâhil olmak üzere uygun güvenlik ekipmanlarını takın, sonra toz boşaltma sistemini açın (varsa)
3. Zımparayı AÇIN ve motorun tam hız ulaşmasını bekleyin

ÖNEMLİ: İş parçasını yavaş yavaş dönmeye başlarken TERSINE doğru, zımparalama kovasının (Resim D) veya bandının üzerine ilerletin. Bu yapılmazsa, iş parçası zımparalama kovasının veya bandından uzaklaşabilir ve yaralanma riski oluşur. İş parçasını zorlamayın veya aşırı kuvvet uygulamayın.

4. Mümkünse İş Parçası Durdurma Çubuğu (3) kullanın
5. Bittiğinde, makineyi kapatın ve elektrik bağlantısını kesin

Aksesuarlar

- Triton bayındızan elde edebileceğiniz, zımparalama kovaları ve bantları da dâhil olmak üzere çeşitli aksesuarlar ve sarf malzemeleri mevcuttur. Yedek parçalar tools.paresonline.com adresinden edinilebilir

Bakım

⚠ UYARI: Herhangi bir değişiklik yapmadan veya bakım yapmadan önce, aletin kapalı olduğundan veya şebeke elektriği noktasından fiş çektiğinizden emin olun.

- Kullanmadan önce bu aletle oluşan herhangi bir hasar nitelikli bir tamir teknisyeni tarafından onarılmalı ve dikkatlice incelenmelidir
- El aletinize yalnızca tamamen aynı yedek parçalar kullanılarak ehliyetli bir teknisyen tarafından servis yapılmasını sağlayın. Bu, el aletinin güvenliğini sürdürülmesini sağlar

Genel Muayene

Tüm sabitleme vidalarının sıkışmış olup olmadığını düzenli olarak kontrol edin. Zaman içinde titreşimle gevşeyebilir.

Elektrik Kablosu Bakımı

Elektrik kablosunun değiştirilmesi gerekiyorsa, herhangi bir güvenlik riskini önlemek için bu görevi imalatçı, imalatçının temsilcisi veya yetkili bit servis merkezi gerçekleştirmelidir.

Temizleme

- Tozu ve kiri düzenli olarak boşaltın. Tozu tüm zımpara parçalarından ve motor yatağından sık sık püskürtün veya vakumlayın
 - Tabla ek parçasını ve alt rondelayı belirli aralıklarla silindirden sökün ve tabla ek parça alanından herhangi bir toz birikimini ortadan kaldırın
 - Tüm hareketli parçaları düzenli aralıklarla yeniden yağlayın.
 - Plastik parçaları temizlemek için asla yakıcı ajanlar kullanmayın
- Aletin plastik parçalarını temizlemek için temizleme ajanları kullanmayın. Nemli bir kıyafetin üzerine hafif bir deterjan sürülmesi önerilir. Alet asla suyla temas etmemelidir.

Fırça değiştirme

- Zaman içinde motorun içindeki karbon fırçaları aşınabilir
 - Aşırı derecede aşınmış fırçalar güç kaybına, geçici iş görmezliğe veya gözle görünür kıvılcımlanmaya neden olabilir
 - Fırçaları değiştirmek için;
- Zımparayı dikkatli bir şekilde yan yatırın ve tabandaki kapağını sabitleyen vidalarını sökerek motora erişin
 - Birilmiş ahşap tozu veya talaş varsa taban kapağını dikkatli bir şekilde temizleyin
 - Fırça kapağını sabitleyen 2 vidayı sökün (Resim E'de çizilmiş) ve kapağı çıkartın
 - Fırça grubunu dikkatlice sökün (Resim F)
 - Fırça grubuna bağlı kablounun bağlantısını dikkatlice kesin ve fırçayı çıkartın
 - Yeni fırçayı takın ve kabloyu tekrar bağlayın
 - Motor fırça grubunu küçük ayak doğru yere gelecek şekilde tekrar yerleştirin (Resim F'de okla gösterilmiştir)
 - Fırça kapağını tekrar takın ve vidaları tekrar takın
 - Bu fırça adımları 3-8'i diğer fırça grubu için de tekrar edin. Fırçaları daima çiftler halinde değiştirmek önemlidir.
 - Taban plakasını yeniden yükleyip sıkın.
- Alternatif olarak, makineyi yetkili bir teknik servis merkezine götürün

İletişim

Teknik veya onarım hizmeti tavsiyesi için lütfen yardım hattını arayın: (+44) 1935 382 222

Web: tritontools.com/en-GB/Support

Adres:

Powerbox
Boundary Way
Lufton Trading Estate
Yeovil, Somerset
BA22 8HZ, United Kingdom

Saklama

- Bu el aletini güvenli, kuru ve çocukların ulaşamayacağı bir yerde dikkatlice saklayın. Alet bir atölyeye veya garaja kalıcı olarak kurulduysa, çocukların aleti çalıştırmasını önlemek için erişiminin sınırını olduğundan emin olun.

İmha

Artık kullanılmayan ve onarılamayan elektrikli aletleri imha ederken ulusal düzenlemeleri her zaman dikkate alın.

- Elektrikli aletleri veya diğer atık elektrikli veya elektronik ekipmanları (WEEE) evsel atıklarla imha etmeyin
- Elektrikli aletleri imha etmenin doğru yöntemi için yerel atık imha otoritenize iletişime geçin

Riešenie problémov

Problem	Olası Neden	Çözüm
Açma/Kapatma Düğmesine basılınca çalışmıyor	Açma/Kapatma Düğmesine basılınca çalışmıyor	Elektrik kaynağını kontrol edin
	Silindir Somunu (27) yeterince sıkı değil	Açma/Kapatma Düğmesinin yetkili bir Triton servis merkezinde değiştirilmesini sağlayın
Zımparalama Kovanı (25) Kovan Tamburu (31) ile birlikte dönmüyor	Silindir Somunu (27) yeterince sıkı değil	Silindir Somununu küçük artırıcılarla Kovan Tamburu Zımparalama Kovanı ile sabitlenene kadar sıkın
Zımparalama Bandı kullanım sırasında aynı yükseklikte kalmıyor	İzleme ayarı yanlış	Bkz. "İzleme Ayarı"
Çok fazla toz çıkıyor	Toz boşaltma kanalı tıkanmıştır	Makinenin elektrik bağlantısını kesin. Silindir zımpara bileşenlerini veya bantlı zımpara ünitesini sökün ve toz boşaltma kanalındaki tıkanıklığı açın
	Yanlış boğaz plakası kullanılmış	Doğru boyutta Boğaz Plakasına geçin
Zımparalama tamburu tam hızda çalışmıyor veya motorun sesi normalden farklı çıkıyor	Motor aşırı ısınıyor	Kapatın ve 1/2 saat boyunca soğumasına izin verin
	Motor arızası	Yetkili bir Triton servis merkezine iletişime geçin
	Fırçaların değiştirilmesi gerekiyor	Bkz. "Fırçaların değiştirilmesi"
	Motor bandı aşınmış veya sıkışmış	Yetkili bir Triton servis merkezine iletişime geçin

Garanti

Garantinizi tescil ettirmek için www.tritontools.com adresindeki web sitemizi ziyaret ederek bilgilerinizi giriniz *.

Size ait bilgiler ilerideki yayımlar hakkında bilgi vermek üzere posta listemize dâhil edilecektir (akısi belirtilmediği takdirde). Verilen bilgiler hiç bir üçüncü tarafa iletilmeyecektir.

Satın alma kayıtları

Satın Alma Tarihi: ___ / ___ / ___

Model: TSPST450 Makbuzunuzu satın alma kanıtı olarak saklayınız

AB Uygunluk Beyanı

Aşağıda imzası bulunan: Bay Darrell Morris

Yetki veren: Triton

Beyan eder ki: Bu beyan, tamamen üreticinin sorumluluğunda yayınlanmıştır. Beyanın konusu, ilgili Birlik uyum Düzenlemesine uygundur.

Tanımlama kodu: TSPST450

Açıklama: 450W Salınlımlı Silindir ve Bantlı Zımparap

Aşağıdaki direktiflere ve standartlara uygundur:

- Makine Direktifi 2006/42/EC
- EMC Direktifi 2014/30-/EC
- RoHS Direktifi 2011/65/EU
- EN 61029-1:2009+A11:2010
- EN ISO 12100:2010
- EN 55014-1:2006+A2:2011
- EN 55014-2:1997+A2:2008
- EN 61000-3-2:2014
- EN 61000-3-3:2013

Triton Precision Power Tools, ilk satın alma tarihinden itibaren 3 YIL süre içinde hatalı malzemeler veya işçilik yüzünden herhangi bir parçanın kusurlu çıkması durumunda Triton'un hatalı parçayı ücretsiz olarak tamir edeceğini veya kendi takdirine göre değiştireceğini bu ürünü satın alan kişiye garanti eder.

Bu garanti ticari kullanım için geçerli olmadığı gibi normal aşınmayı ve yıpranmayı veya kaza, kötüye kullanma veya yanlış kullanma yüzünden oluşan hasarı içermez.

* 30 gün içinde çevirim içi olarak tescil yaptırın.

Kurallar ve koşullar geçerlidir.


Bunlar sizin yasal haklarınızı etkilemez

Onaylanmış kuruluş: TÜV SÜD

Teknik dokümanları muhafaza eden: Triton

Tarih: 22/10/2018

İmza:



Bay Darrell Morris

Sorumlu Müdür

Üreticinin adı ve adresi:

Powerbox International Limited, Şirket No. 06897059. Tescilli adres:

Powerbox, Boundary Way, Lufton Trading Estate, Yeovil, Somerset BA22 8HZ, Birleşik Krallık.

